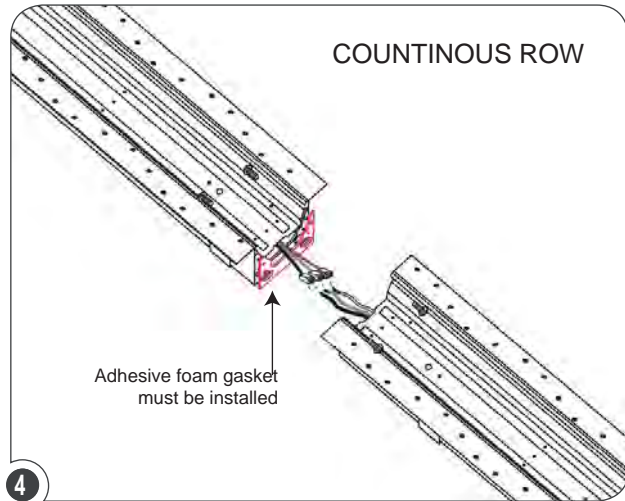
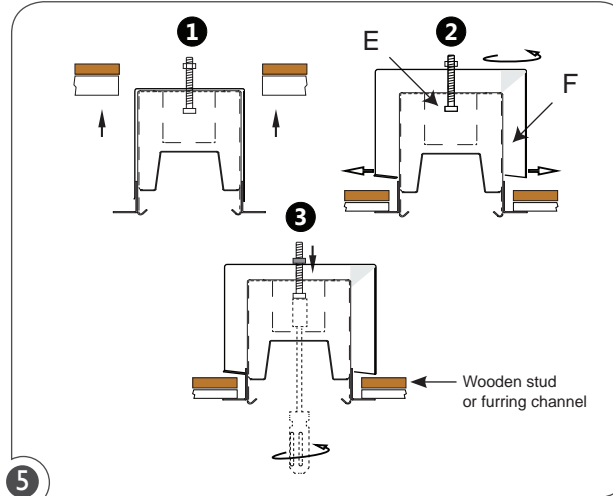




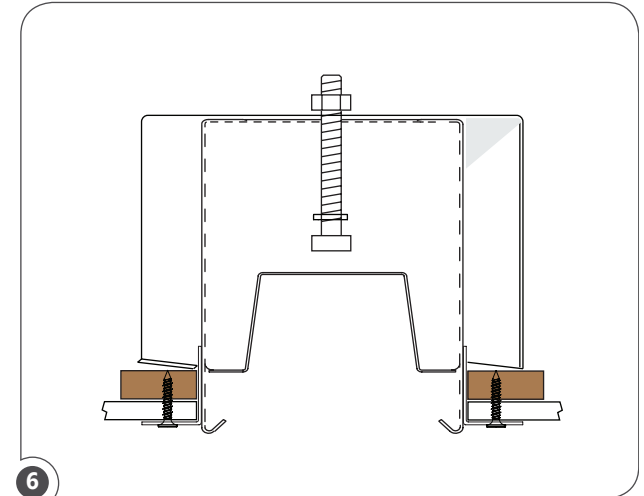
12100-20 | 12100-40 - INSTALLATION INSTRUCTIONS FOR RECESSED-SPACKLE FLANGE



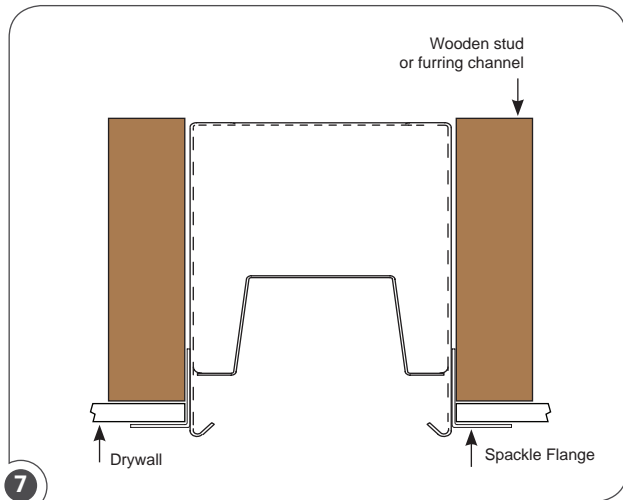
4 Refer to [4A] on the last page for detailed installation instructions.



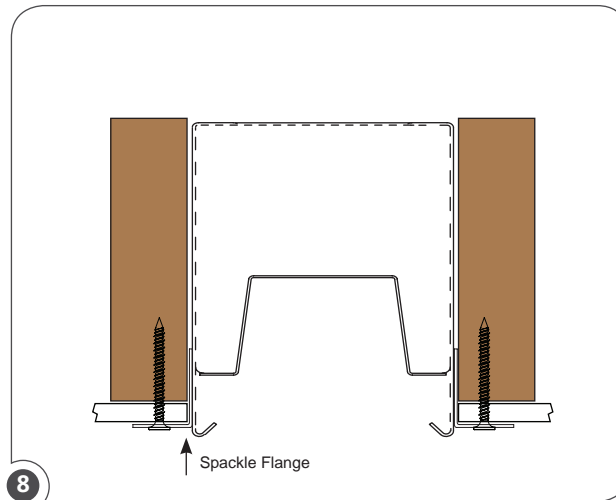
5 Push safety bracket screw(E) up to rotate safety brackets(F) once bracket is correctly align tighten screw to lock fixture in to drywall ceiling.



6 Wooden stud or furring channel must be used to reinforce the screws to the drywall.

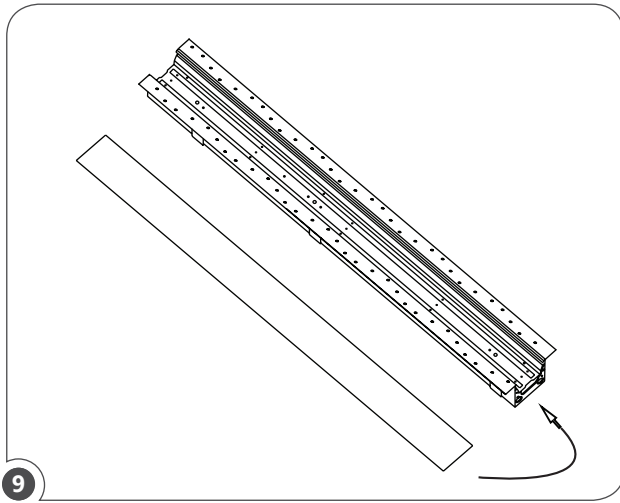


7 Align fixture(without slip through bracket) to pre-cut hole on drywall and insert fixture. use long wooden stud. (Skip this if you did 4)

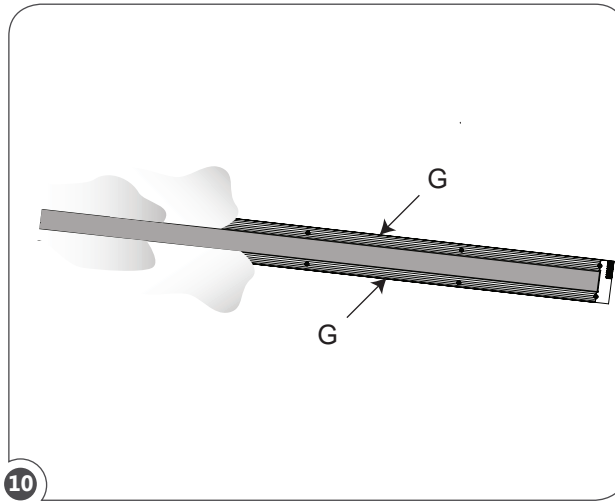


8 Wooden stud or furring channel must be used to reinforce the screws to the drywall.

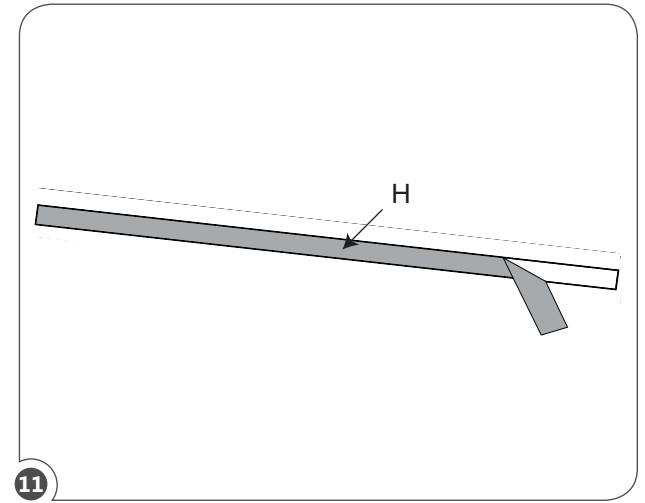
12100-20 | 12100-40 - INSTALLATION INSTRUCTIONS FOR RECESSED-SPACKLE FLANGE



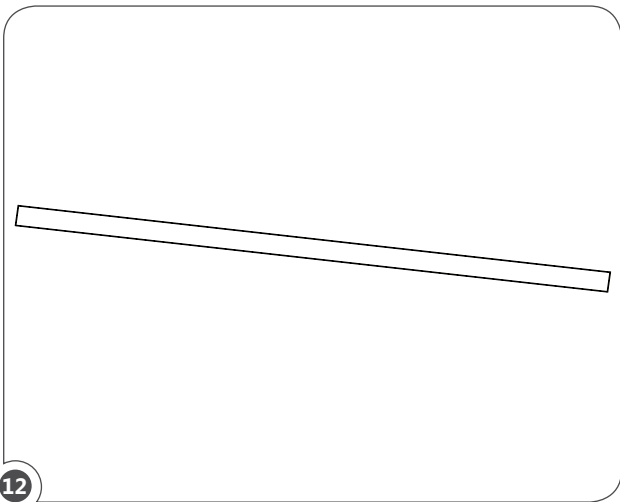
9 Reinstall LED module plate and lens.



10 Unless a row installation is needed, plaster and sand over spackle flange (G) to create a smooth finish.



11 Remove blue tape from lens (H) BEFORE last plaster layer is fully dry.



12 It is now safe to turn the fixture's circuit on.

