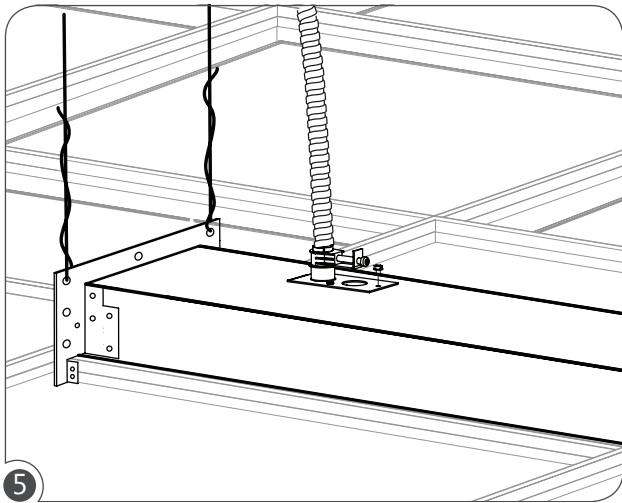
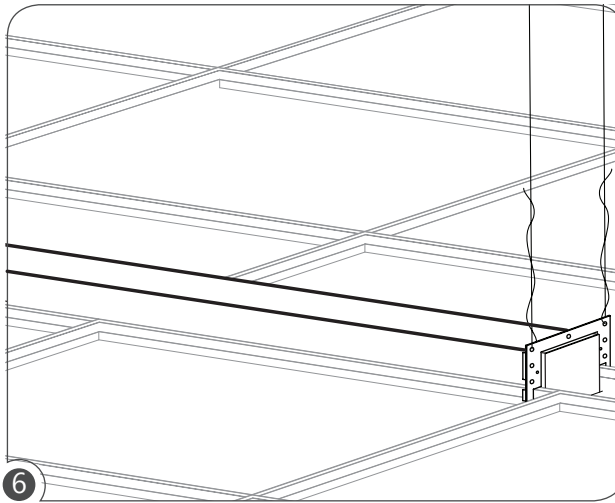




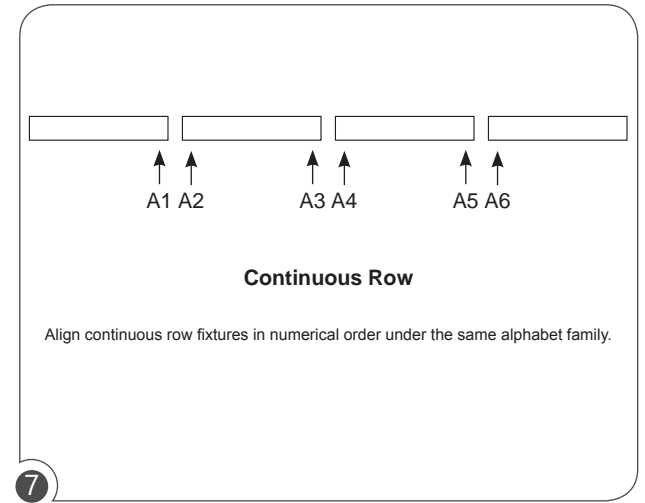
12100-20 | 12100-40 - INSTALLATION INSTRUCTIONS FOR RECESSED SCREW SLOT MOUNT



5 Secure wires and install access plate to fixture.



6 Make sure both ends of fixtures is secure with support cable and bracket is properly installed between screw slot grind and fixture.



7 Refer to [7A, 7B and 7C] for detailed installation instructions.

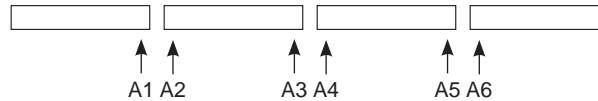
12100-20 | 12100-40 - INSTALLATION INSTRUCTIONS FOR RECESSED SCREW SLOT MOUNT

**CONTINUOUS ROW**

TOOL(S) NEEDED:

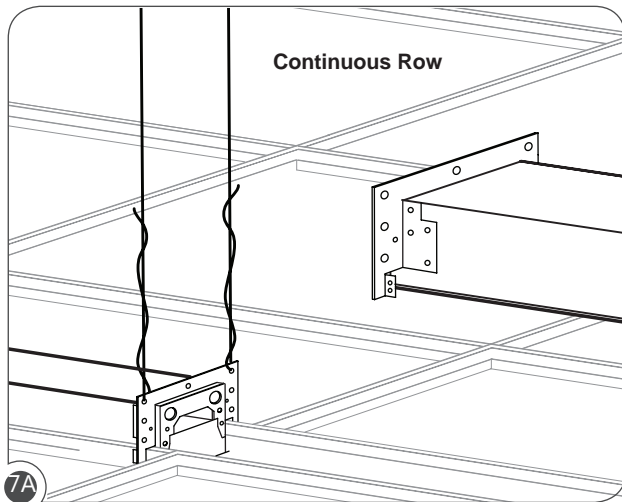
Option 1) Cordless drill and an elbow or L-shape adapter with Philips Insert Bit extension.

Option 2) Flexible Screwdriver with Philips Insert Bit.

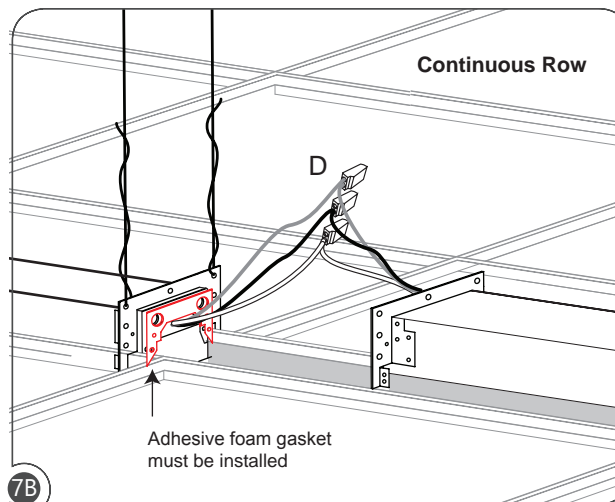


**Continuous Row**

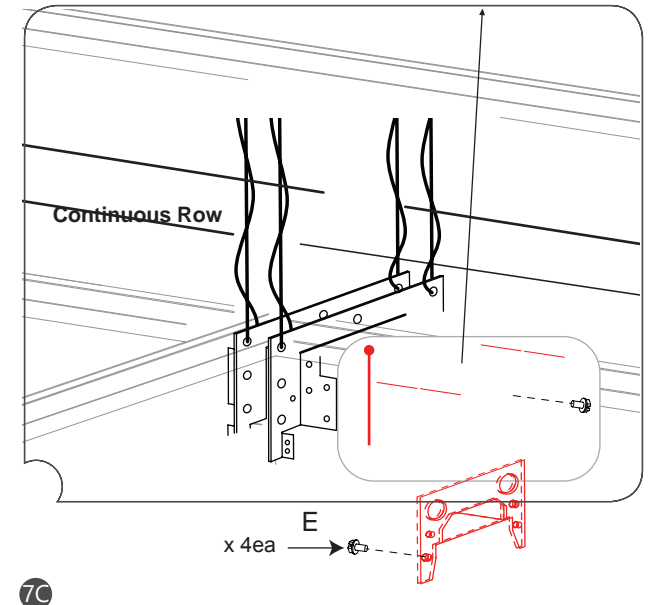
Align continuous row fixtures in numerical order under the same alphabet family.



7A Align fixtures side by side onto screw slot ceiling.



7B Connect power wire together from each fixture running end to end for continuous row with Wire connectors(D).  
Adhesive foam gasket must be installed



7C Align fixtures together and Screw from the inside with 4 screws(E).