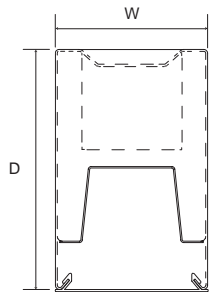


12100-20 | 12100-40 - INSTALLATION INSTRUCTIONS FOR PENDANT-CABLE MOUNT

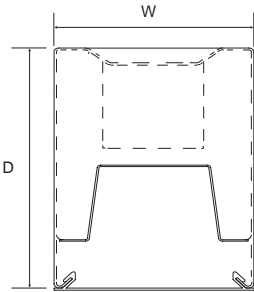
WARNING: RISK OF FIRE AND ELECTRICAL SHOCK. FIXTURE MUST BE INSTALLED BY A QUALIFIED ELECTRICIAN ONLY IN ACCORDANCE WITH NATIONAL, LOCAL BUILDING AND ELECTRICAL CODES. DISCONNECT POWER AT ELECTRICAL PANEL BEFORE SERVICING.



Specifications: 12100-20

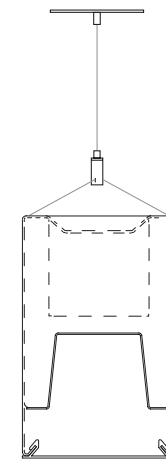
Width: 2.5 (64)
Depth: 4 (101)

All dimensions are in inches (millimeters).

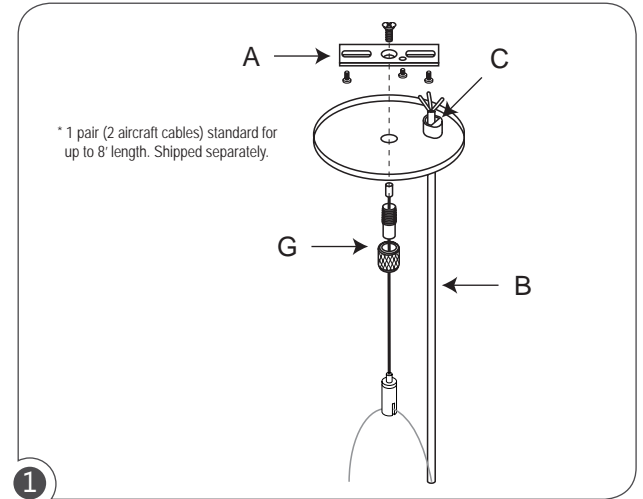


Specifications: 12100-40

Width: 4 (101)
Depth: 4 (101)



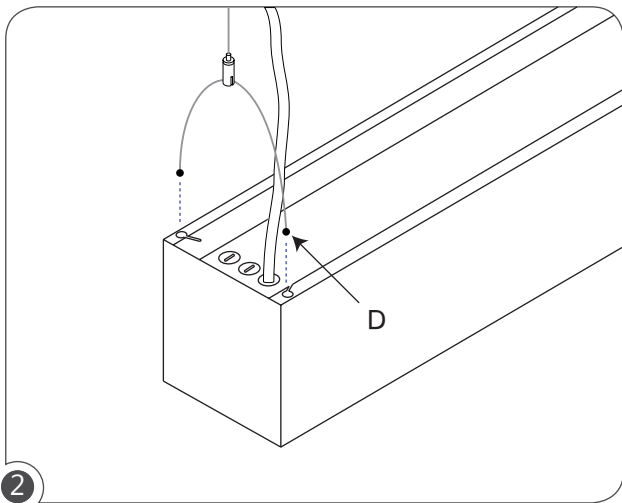
Cable



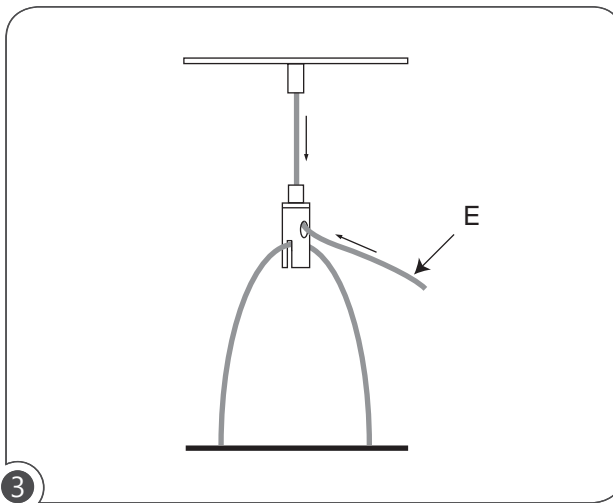
● PART LIST

- | | |
|----------------------|-----------------------|
| A: Canopy bracket | E: Aircraft cable |
| B: Power cord | F: Threaded stud |
| C: Power feed canopy | G: Cable mounting nut |
| D: Grip lock | H: Screws |

Install canopy bracket(A) on to j-box and Run power cord(B) through Power feed canopy(C) and secure the power cord inside the canopy. Connect the power cord to the ceiling power feed from j-box. Place canopy in position on Threaded stud and secure with cable mounting nut(G).



2 Install Grip lock(D) to each end of housing.



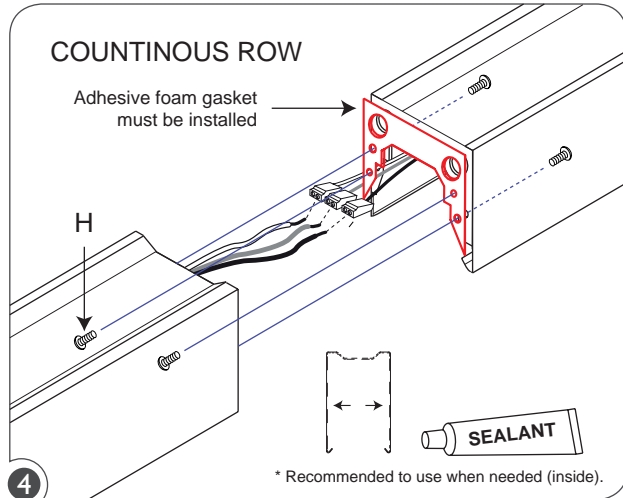
3 Run Aircraft cable(E) through Grip lock installed on fixture and adjust height by pushing Grip lock.

CONTINUOUS ROW

TOOL(S) NEEDED:

Option 1) Cordless drill and an elbow or L-shape adapter with Philips Insert Bit extension.

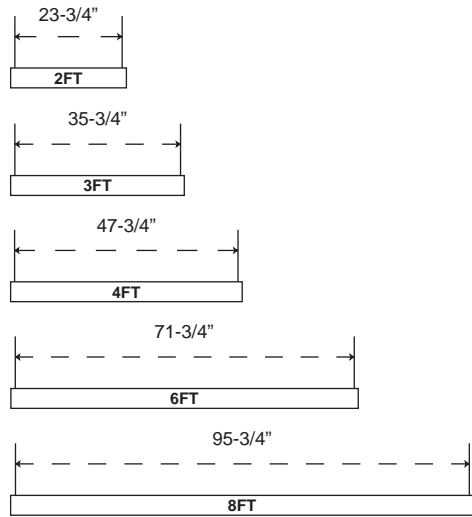
Option 2) Flexible Screwdriver with Philips Insert Bit.



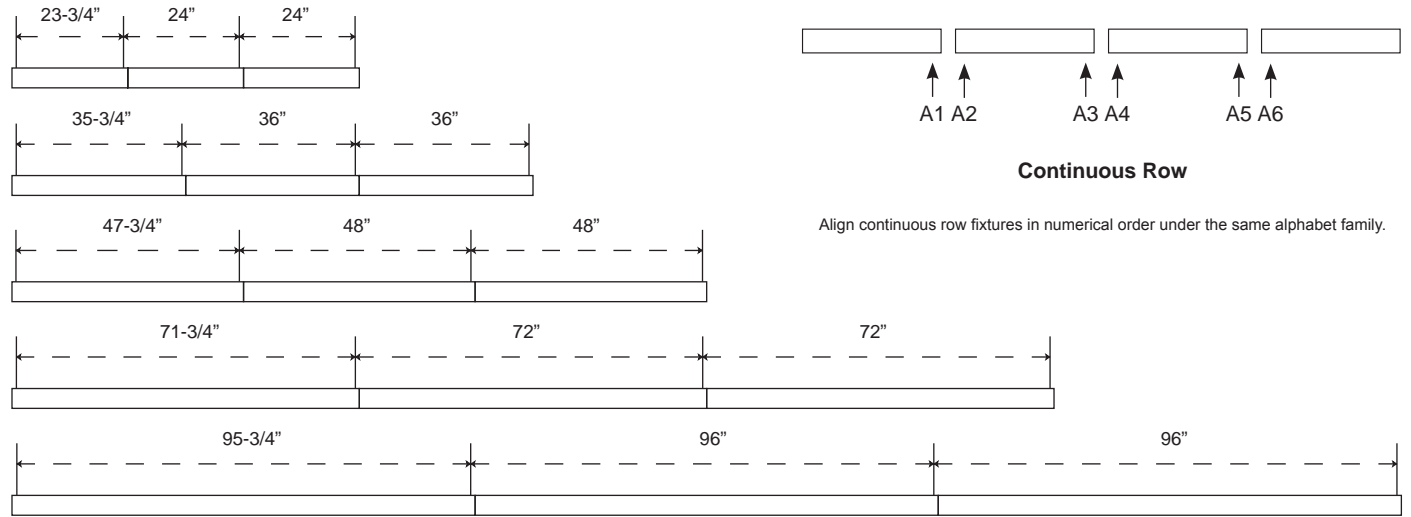
- 1) Make wiring connection from each fixture power supply wires together.
- 2) Align fixtures and screw together with 4 screws(H).

12100-20 | 12100-40 - INSTALLATION INSTRUCTIONS FOR PENDANT-CABLE MOUNT

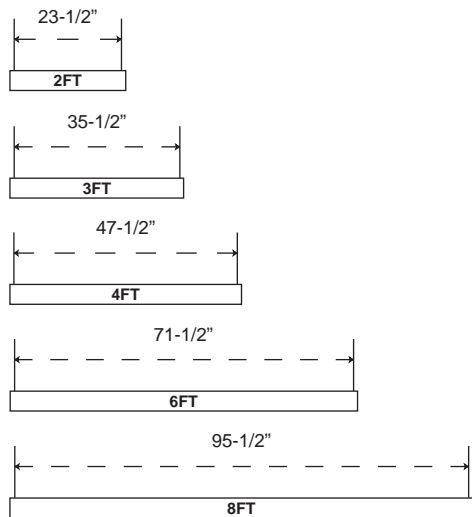
INDIVIDUAL 12100-20



CONTINUOUS



INDIVIDUAL 12100-40



CONTINUOUS

