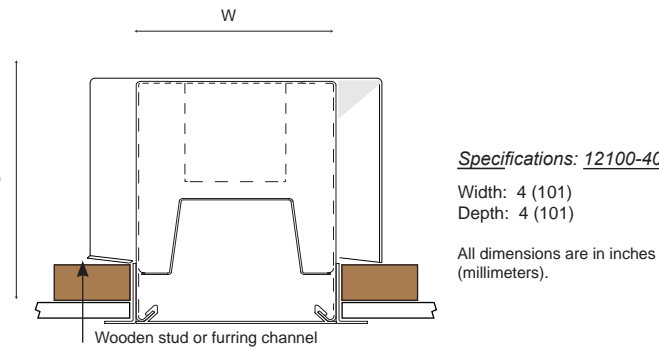
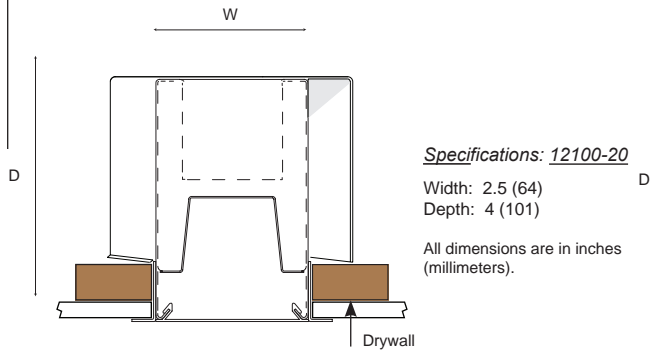


12100-20 | 12100-40 - INSTALLATION INSTRUCTIONS FOR RECESSED DRYWALL MOUNT

WARNING:

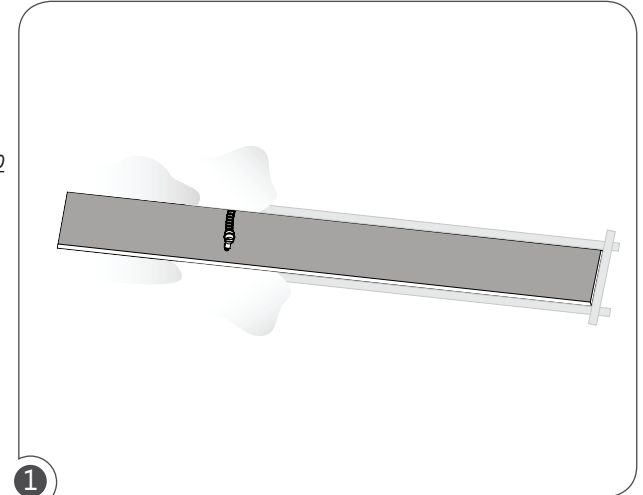


RISK OF FIRE AND ELECTRICAL SHOCK. FIXTURE MUST BE INSTALLED BY A QUALIFIED ELECTRICIAN ONLY IN ACCORDANCE WITH NATIONAL, LOCAL BUILDING AND ELECTRICAL CODES. DISCONNECT POWER AT ELECTRICAL PANEL BEFORE SERVICING.



● **PART LIST**

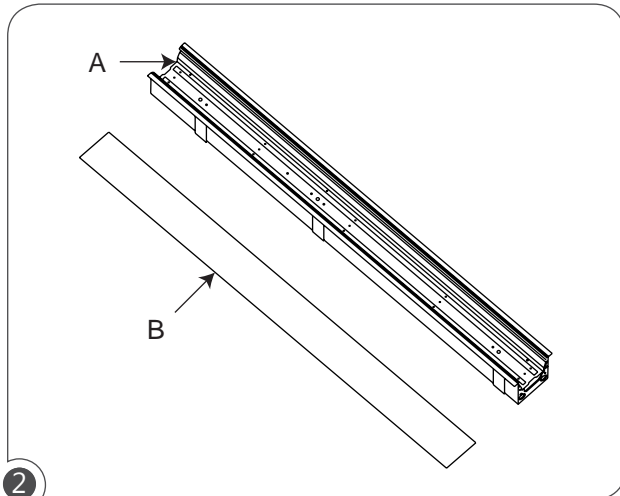
- A: LED module plate
- B: Lens
- C: BX cable connector
- D: Access plate
- E: Safety bracket screw
- F: Safety bracket



1

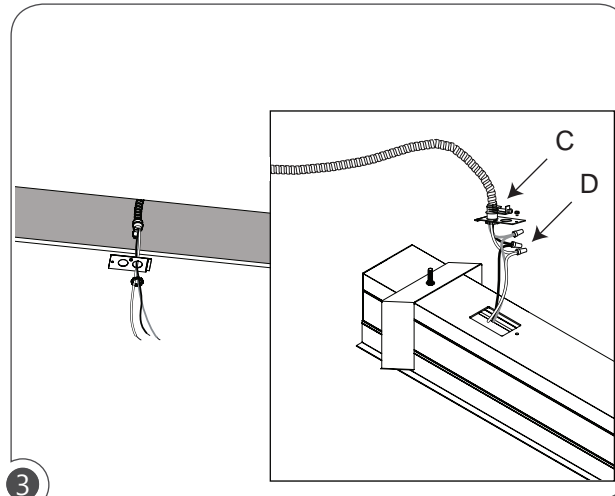
Make an opening on Drywall according to the dimensions.

12100-20	12100-40
(2ft) : 24-3/16" x 2-5/8"	(2ft) : 24-3/16" x 4-1/8"
(3ft) : 36-3/16" x 2-5/8"	(3ft) : 36-3/16" x 4-1/8"
(4ft) : 48-3/16" x 2-5/8"	(4ft) : 48-3/16" x 4-1/8"
(6ft) : 72-3/16" x 2-5/8"	(6ft) : 72-3/16" x 4-1/8"
(8ft) : 96-3/16" x 2-5/8"	(8ft) : 96-3/16" x 4-1/8"



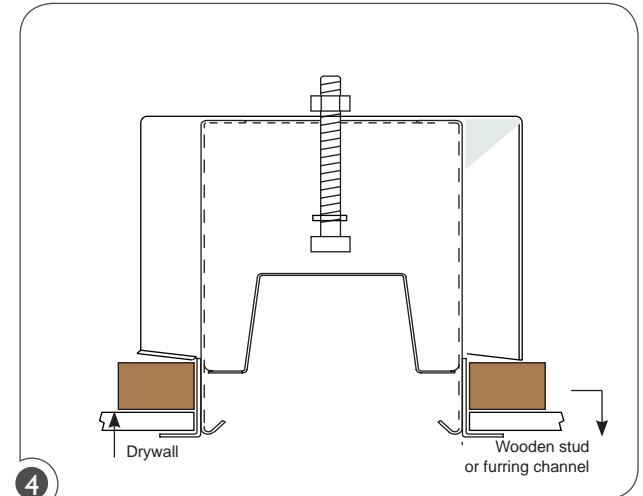
2

Remove Lens(B) and LED module plate(A).



3

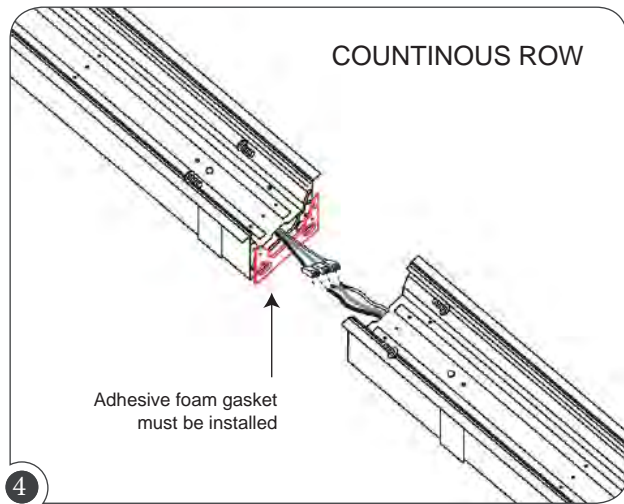
Install BX cable connector(C) to access plate(D). Wire BX cable wires to Fixture wires.



4

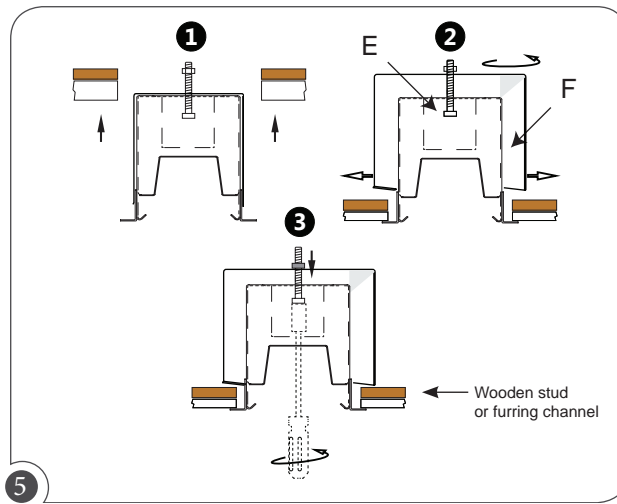
Align fixture to pre-cut hole on drywall and insert fixture.

12100-20 | 12100-40 - INSTALLATION INSTRUCTIONS FOR RECESSED DRYWALL MOUNT



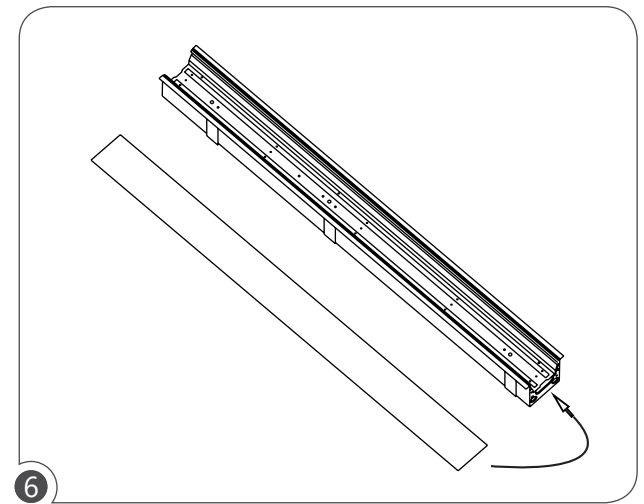
4

Refer to [4A] on the next page for detailed installation instructions.



5

Push safety bracket screw(E) up to Rotate safety brackets(F) once bracket is correctly align tighten screw to lock fixture in to drywall ceiling.



6

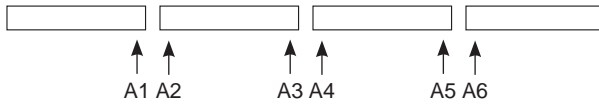
Reinstall LED module plate and lens.

CONTINUOUS ROW

TOOL(S) NEEDED:

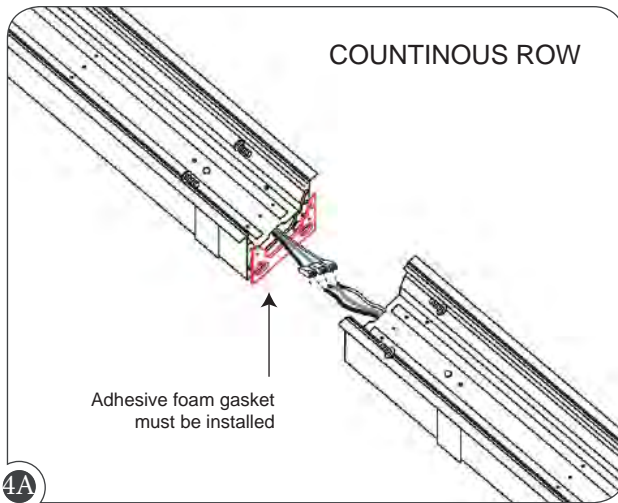
Option 1) Cordless drill and an elbow or L-shape adapter with Philips Insert Bit extension.

Option 2) Flexible Screwdriver with Philips Insert Bit.



Continuous Row

Align continuous row fixtures in numerical order under the same alphabet family.



- 4A
- 1) Make wiring connection from each fixture power supply wires together.
 - 2) Align fixtures and screw together with 4 screws(H).