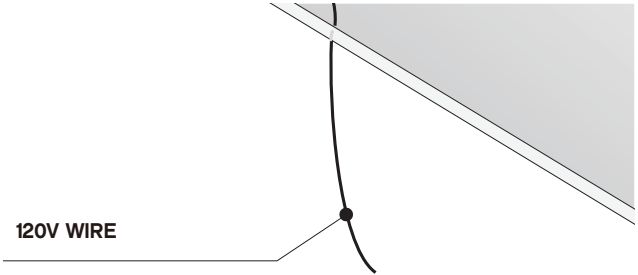




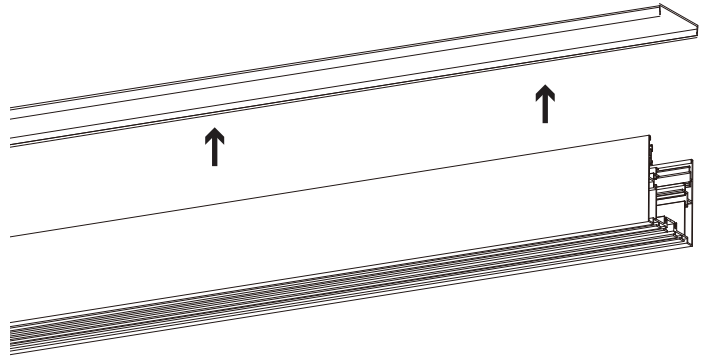
WARNING: RISK OF ELECTRICAL SHOCK
* turn off main power prior to installation
* make sure hands are dry
* never touch exposed wires

INSTALLATION INSTRUCTIONS

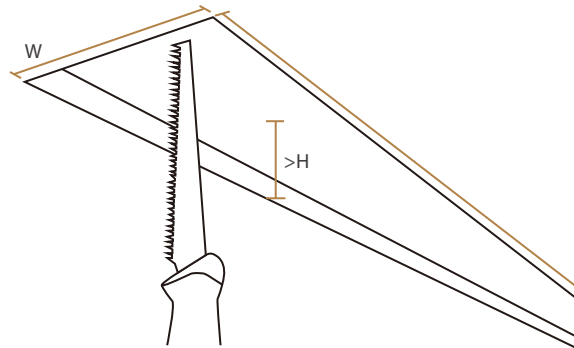
1 RUN 120V WIRE THROUGH CEILING



2 REMOVE DIFFUSER

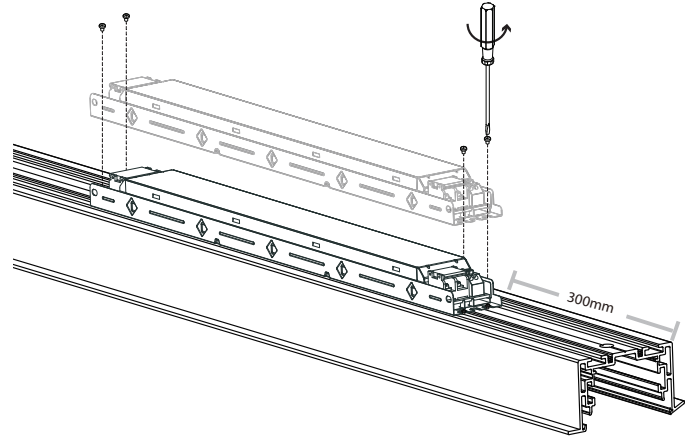


3 MAKE A SLOT THE SAME SIZE AS THE PROFILE ON THE CEILING TO ACCOMMODATE CHANNEL

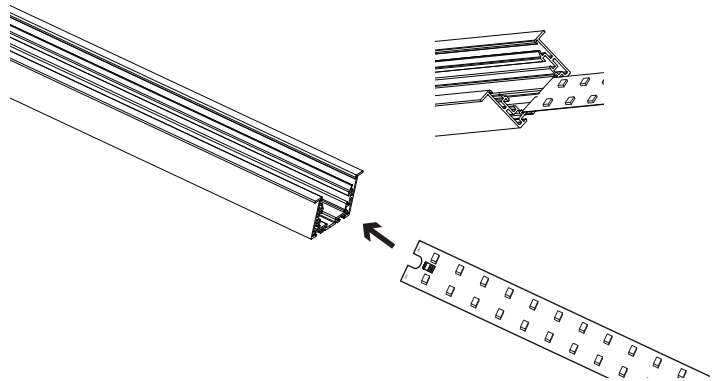


INSTALLATION INSTRUCTIONS

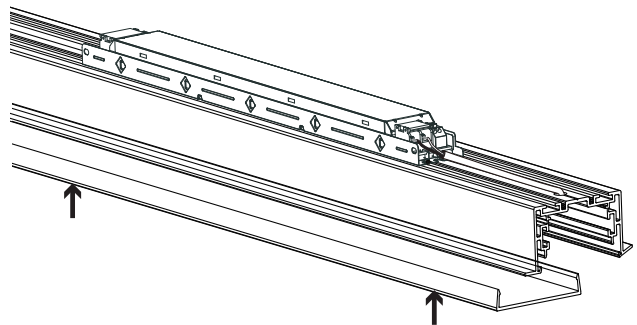
4 MOUNT POWER SUPPLY ONTO PROFILE.



5 INSTALL LINEAR TAPE LIGHT

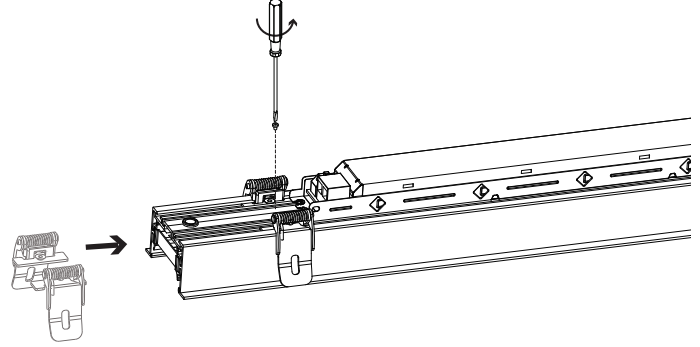


6 INSTALL DIFFUSER ONTO PROFILE

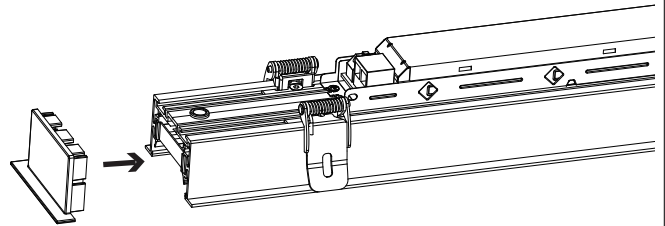


INSTALLATION INSTRUCTIONS

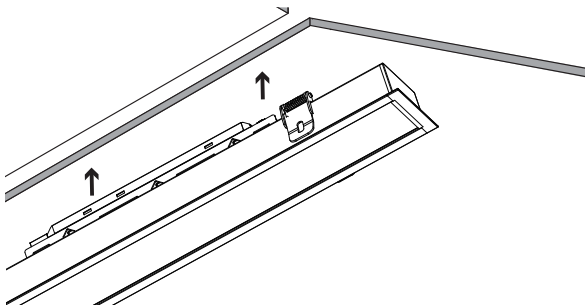
- 7** SLIDE BUTTERFLY CLAMP ONTO PROFILE AND THEN FIX IT INTO PLACE.



- 8** INSTALL END CAP



- 9** CONNECT POWER SUPPLY TO WIRE IN CEILING THEN INSTALL PROFILE INTO SLOT.



- 10** FINISHED

