

Project Name:

Type:

Quantity:

FIXTURE SPECIFICATIONS

INTENDED USE

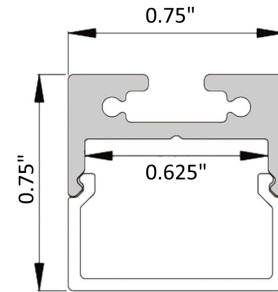
This specification-grade slim LED linear pendant delivers continuous clean High-CRI light and modern lines to commercial, hospitality and residential interior lighting projects. Our modern, slim profiles and stylish low-voltage linear suspension lights offer direct lighting for a variety of applications including; offices, classrooms, conference rooms, museums, retail outlets, hotels, restaurants and more. The Continuum integrated LED linear lighting is available in standard lengths of 2 ft., 3 ft., 4 ft., 6 ft., 8 ft

PRODUCT FAMILY

- 12100-10-S** | Surface
- 12100-10-LR** | Low-Profile Recessed
- 12100-10-R** | Recessed
- 12100-10-R-PR** | Recessed Perimeter
- 12100-10-R-RGBW** | Recessed RGBW
- 12100-10-PR-RGBW** | Perimeter Recessed RGBW

FEATURES

- Construction:** Die-Formed and Welded 22-Gauge Cold Rolled Steel
- Lens:** Glare Free Snap In Frosted Acrylic for Even Distribution
- Voltage:** 24V LED Fixture, 100-277V LED Driver
- Remote Driver:** Dimmable 4-in-1 Triac, ELV, MLV & 0-10V, MLV and 0-10V Driver
- Wattage:** 7 Watts/Foot (Wet Location: 3 Watts/Foot)
- Lumens:** 784 Lumens/Foot (Wet Location: 250 Lumens/Foot)
- Beam Angle:** 120°
- CRI:** 95+
- Life:** 50,000 Hours L70
- Warranty:** 5 Years Carefree for Parts & Components (Labor Not Included)
- Listings:** Title 24 JA8, cUL Listed (LED and Driver Components Only)
Housing is NOT cUL Listed.

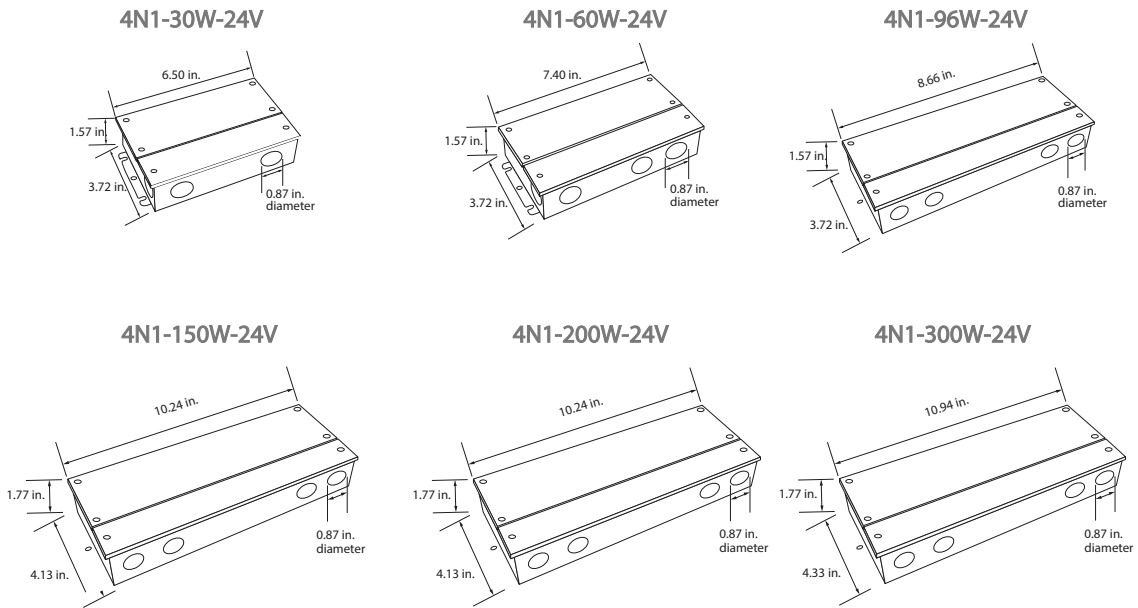


ORDERING INFORMATION Example: (12100-10-P-2-SL-27K)

Model	Length	Finish	Color Temp	Options
12100-10-P Pendant	2 2 Foot	SL Silver	27K 2700K	WL Wet Location IP65
	3 3 Foot	WH White	30K 3000K	
	4 4 Foot	BK Black	35K 3500K	
	6 6 Foot	XXXX Custom	40K 4000K	
	8 8 Foot	Finish	50K 5000K	
	XX¹ Custom Length <i>Specify Length in Feet</i>	<i>Replace XXXX with RAL#</i>		

¹ Continuous runs over 8' ship as components for field assembly

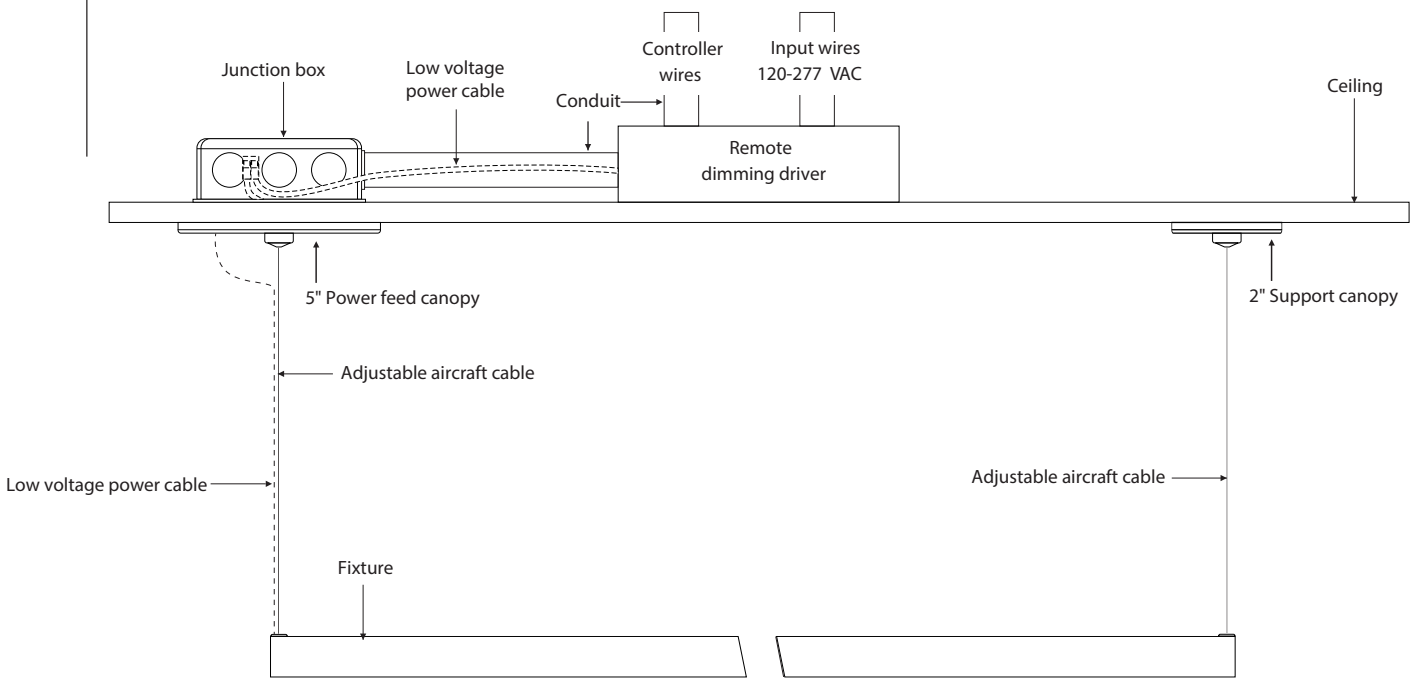
REMOTE DIMMING DRIVER SPECIFICATIONS



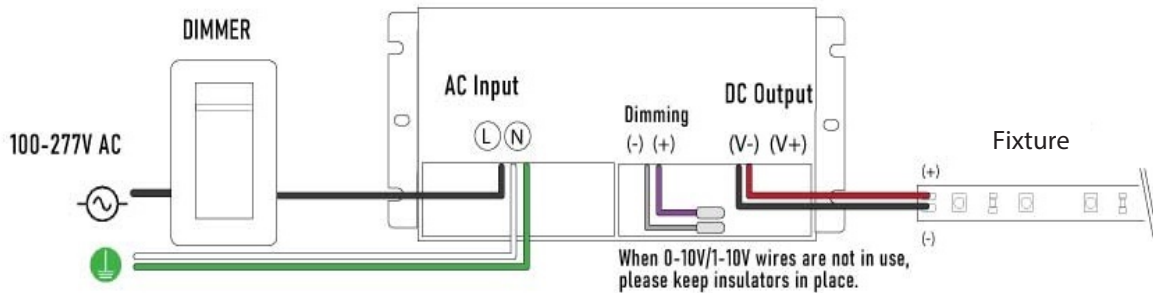
COLOR TEMPERATURE GUIDE

2700K	3000K	3500K	4000K	5000K
WARM WHITE	SOFT WHITE	NEUTRAL WHITE	COOL WHITE	DAY LIGHT
friendly personal intimate	soft warm pleasing	sociable inviting non-threatening	neat clean efficient	bright cool alert
HOMES LIBRARIES RESTAURANTS	HOMES HOTEL ROOMS LOBBIES RETAIL STORES	EXECUTIVE OFFICES RECEPTION AREAS SUPERMARKETS	OFFICES CLASSROOMS MASS MERCHANDISERS SHOWROOMS	GRAPHICS INDUSTRY HOSPITALS GALLERIES BEAUTY SALONS
✓	✓	✓	✓	✓

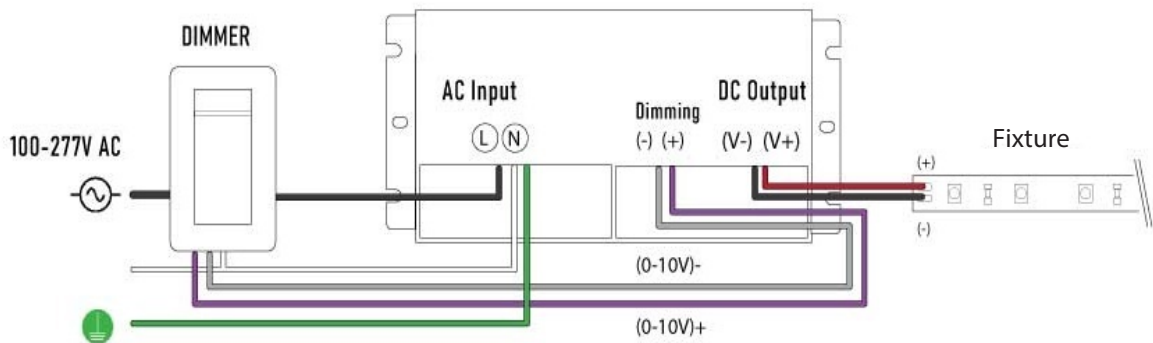
WIRING DIAGRAM



TRIAC dimming



0-10V/1-10V dimming



COMPATIBLE DIMMERS

BRAND	MODEL	INPUT	RANGE	MODEL	INPUT	RANGE
LUTRON®	153PR-WH	100-130V	0-100%	DZ6HD	100-130V	22-100%
	DVCL-153PR-WH	100-130V	0-100%	DV-600PR-BL	100-130V	0-100%
	DVWCL-153PH-LA	100-130V	0-100%	DV-600PR-WH	100-130V	0-100%
	CTCL-153PDH-LA	100-130V	0-100%	PD-6WCL	100-130V	20-100%
	TGCL-153PR-WH	100-130V	0-100%	PD-5NE-WH	100-130V	18-100%
	TGCL-153PH-WH	100-130V	0-100%	NTLV-600-277-WH	100-130V	1-100%
	MACL-153MH-LA	100-130V	20-100%	ST-12P-277	100-130V	12-100%
	CT-600PR-IV	100-130V	0-100%	NTF-10-277	100-130V	1-100%
	CT-600PR-WH	100-130V	0-100%	SELV-300P	100-130V	15-100%
	CT-103PR-WH	100-130V	2-100%	MSCELV-600M	100-130V	0-100%
	MIR-600M	100-130V	2-100%	MEF2-6ELV-120	100-130V	0-100%
	TG-600PR-LA	100-130V	4-100%	DVELV-300P	100-130V	15-100%
	TG-600PR-IV	100-130V	0-100%	S-600PR-WH	100-130V	0-100%
	TG-600PR-WH	100-130V	0-100%	MRF2-6ND-120-AL	100-130V	0-100%
	TG-10PR-WH	100-130V	0-100%	MRF2-6CL-GR	100-130V	15-100%

LEVITON	VPI06-1LZ	100-130V	15-100%	6672	100-130V	20-100%
	TTI06-1LZ	100-130V	1-100%	6683	100-130V	10-100%
	IPL06	100-130V	15-100%	6602	100-130V	0-100%
	DZ6HD	100-130V	17-100%	AWSMT-EAW	100-130V	0-100%
	TBL03	100-130V	15-100%	AWSMT-EAW	277V	0-100%
	6674	100-130V	16-100%			

LEGRAND	RHCL453PNICCV6	100-130V	6-100%			
	WSCL450TCCCV4	100-130V	11-100%			
	LSCL453PLACCV4	100-130V	11-100%			

CRESTRON	CLW-DELVEX-P-W-S	100-130V	11-100%			
----------	-------------------------	----------	---------	--	--	--