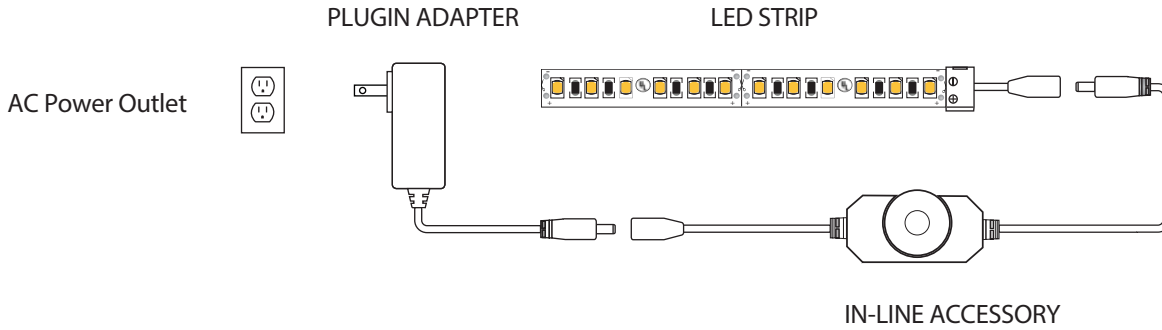
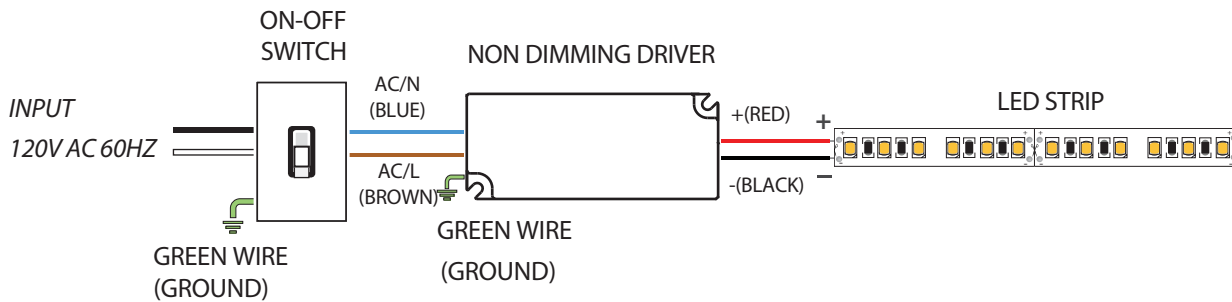


Wiring Guide

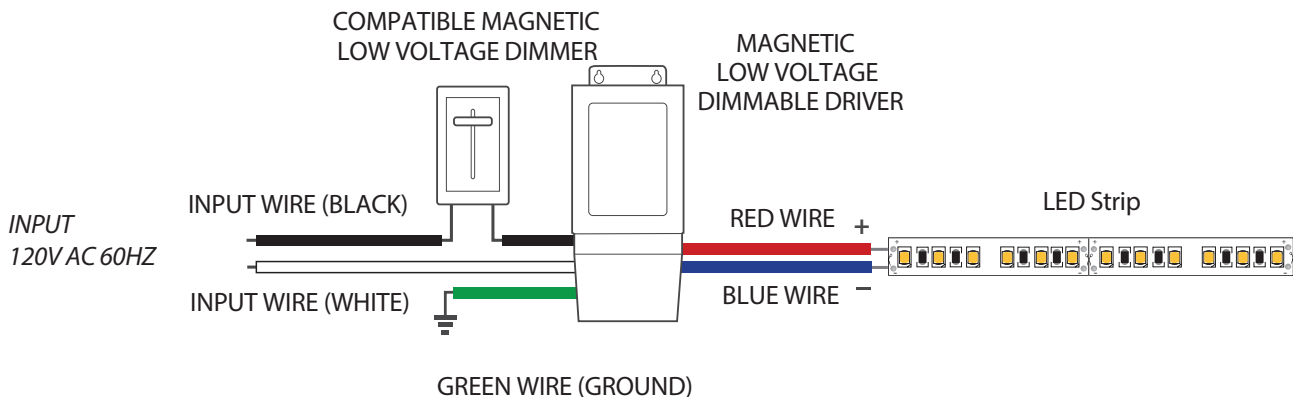
1 PLUG-IN ADAPTER SYSTEM



2 TRADITIONAL NON-DIMMING SYSTEM

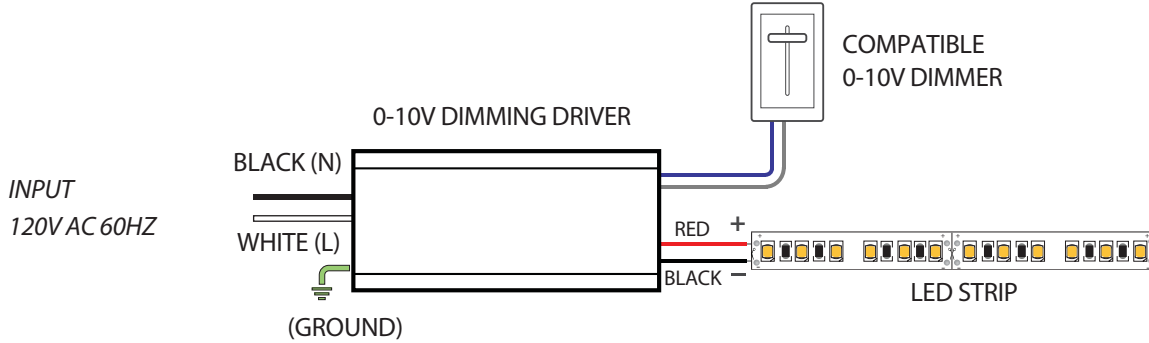


3 MAGNETIC DIMMABLE DRIVER SYSTEM

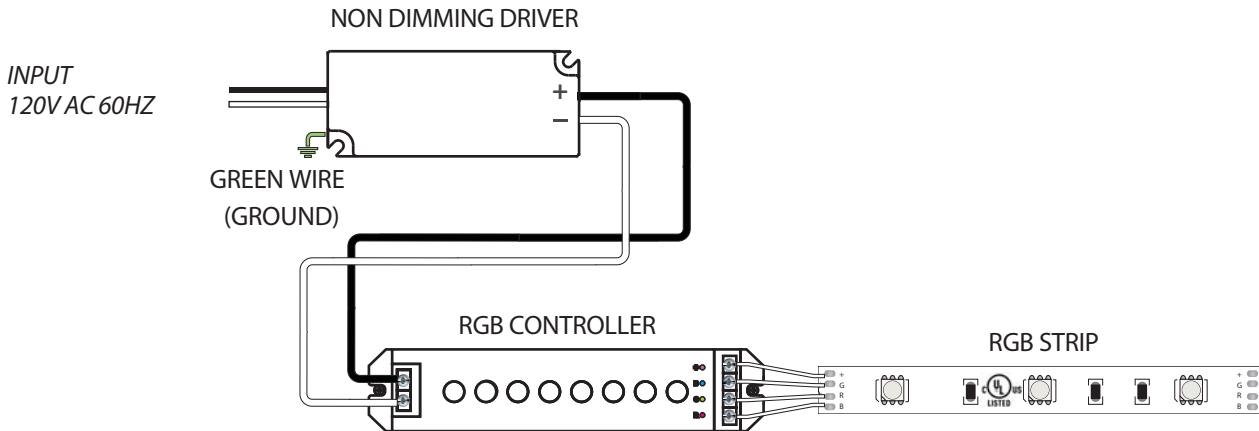


Wiring Guide

4 0-10V DIMMING DRIVER SYSTEM



5 RGB / RGB+W CONTROL SYSTEM



INSTALLATION NOTES

- ALWAYS MAKE SURE THAT INSTALLATIONS ARE DONE IN ACCORDANCE WITH NATIONAL AND LOCAL ELECTRICAL GUIDELINES, CODES, AND REGULATIONS.
- THESE PRODUCTS ARE INTENDED TO BE INSTALLED AND SERVICED BY QUALIFIED ELECTRICAL TECHNICIANS.
- REFER TO EACH LED STRIP'S SPECIFICATIONS FOR MAXIMUM RUN LENGTHS AND PROPER CUTTING LENGTHS.
- EACH MAXIMUM RUN LENGTH REQUIRES ITS OWN POWER FEED FROM THE DRIVER.
- REFER TO EACH PRODUCT'S ENVIRONMENT RATINGS. ONLY INSTALL IN ITS INTENDED LOCATION (INDOOR, OUTDOOR, WET, DRY).
- ALWAYS CLEAN SURFACES PRIOR TO MOUNTING.
- REFER TO DRIVER SPECIFICATIONS FOR POWER RATINGS AND PROPER LOAD DERATINGS.