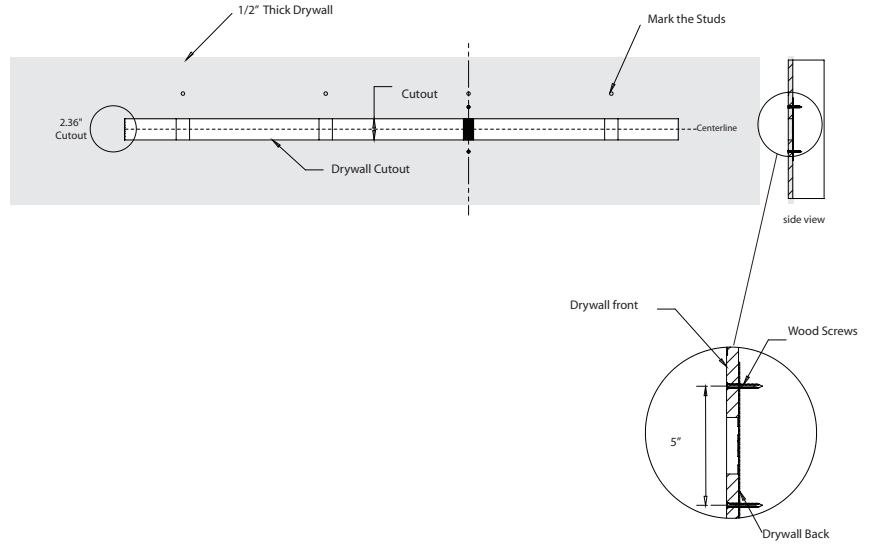




1. This product is intended to be installed by an experienced electrician.
2. Make sure to **TURN OFF MAIN POWER** prior to installation of any electrical device.
3. This product is designed for **INDOOR** use **ONLY**

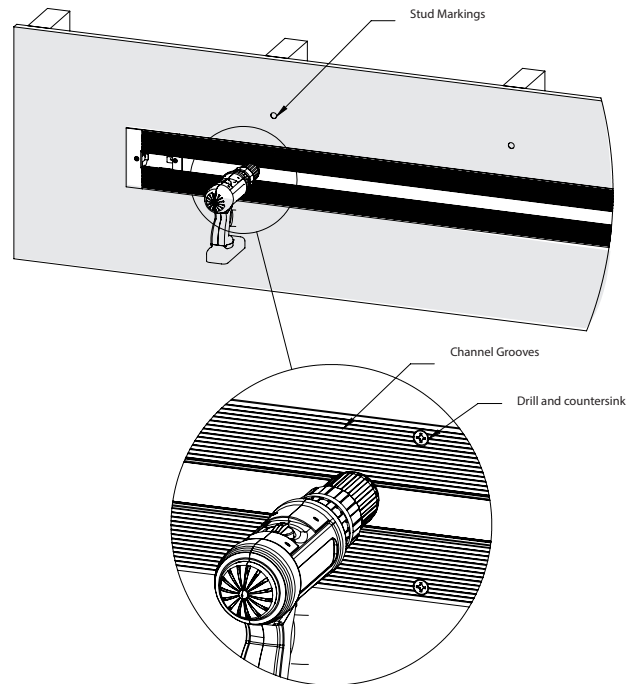
### STEP 1.

Measure cutout and mark drywall where channel will be mounted.



### STEP 2.

Mount channel onto drywall. Drill and countersink channel with screws. Make sure all screw heads are flush with channel surface.



### STEP 3.

Use wiring diagram second page followed by plaster and paint.

### Wiring Diagram

---

