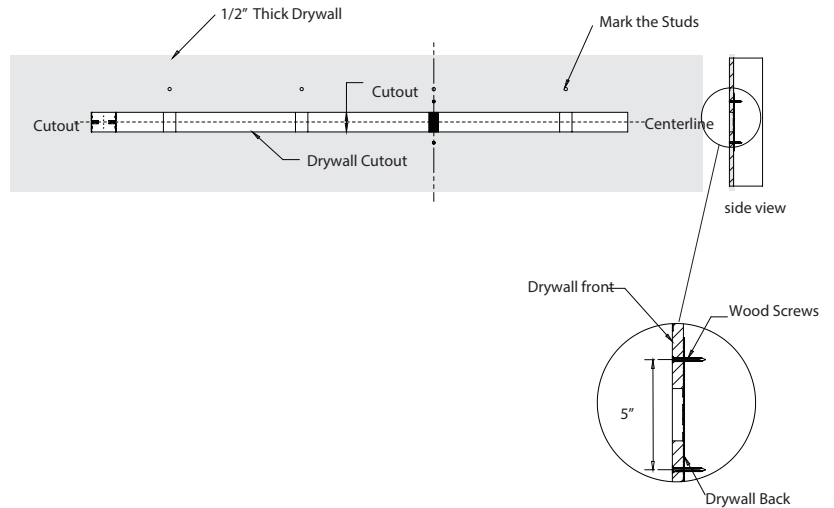


INSTALLATION INSTRUCTIONS

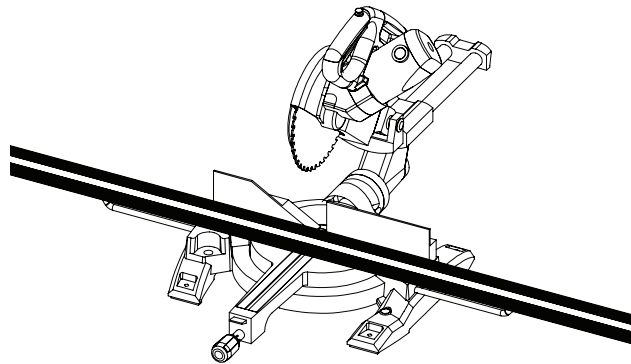
STEP 1.

Measure cutout and mark drywall where the 12100-10-LR channel will be mounted.



STEP 2.

Cut the channel to the desired length.



STEP 3.

Mount / install 12100-10-LR profile onto drywall. Mud-In the flanges to the drywall so only the lens is visible. Drill and countersink channel with screws. Make sure all screw heads are flush with channel surface.

