

FEATURES & SPECIFICATIONS

INTENDED USE

The **Alcon Lighting Tesla Dual Pull Down Spot Light Architectural LED Suspension Lighting** features easy installation and clean, uniform, and efficient lighting with adjustable Spot Light additions. The Tesla Dual LED Suspension Lighting is perfect for indoor and outdoor commercial and institutional interior spaces with no UV emittance.

DETAILS

W 4.375" x **H** 4.625"

Construction: Extruded Aluminum
65% Recycled Materials

Electronic Driver: Over voltage, over current, over temperature, and short circuit protection
EMI & RFI meets FCC part 15 (Class A) Auto Recovery

Optics: High performance frosted lens and filter Premium binned LEDs

True Color & Lumen Consistency

Spot Light Interior Positioning: 0°-85°

Mounting: 50" Power feed canopy kit included

Weight: 2.5 lbs per foot

ADDITIONAL FEATURES

Voltage: 120-277 & 347

Dimming: 0-10V

CRI: 85

Life: L70 - 80,000 Hours

Beam Angle: 90° Horizontal x 85° Vertical

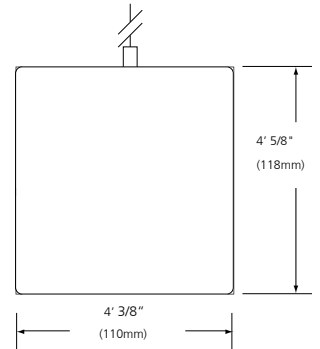
Power Factor: >.95

THD: max <20%

Spot Lights: 7W, 500 lumens, Non-Dimmable

Listings: ETL Listed to UL Standards for dry or damp locations

Fixture suitable for wet location under canopy/covered ceilings with "WL" option



Ordering Information:

Example: (12000-2-4F-10D-WH-P10-EM-30K-DM)

Model	Length	Wattage/Ft	Finish	Spot Light ¹	Options	Color Temp
12000-2-P Tesla Dual - Pull Down	4F 4' 8F 8' XXF Total Run	10D Down Light 10 watts, 700 lms 15D Down Light 15 watts, 990 lms 10DI Down Light 10 watts, 700 lms Up Light 15 watts, 990 lms 15DI Down Light 15 watts, 990 lms Up Light 10 watts, 990 lms	WH White (Standard) BK Black SL Silver XXXX Custom RAL# PW Premium Wood Grain	P10 10° Spot P20 20° Medium Flood P36 36° Flood	DIBW ² Direct with Indirect Batwing Technology DS ¹ Daylight Sensor OS ¹ Occupancy Sensor WL Wet Location EM Emergency Backup (1400 lms)	30K 3000K 35K 3500K 40K 4000K
Driver						
DM	120/277V 0-10V Dimming					
DM-347	347V 0-10V Dimming					

¹Add 4.5" to Channel per Option
(2 Spot Lights per Fixture, 1 Spot Light on Each End)
²Recommended for Low Ceilings Only