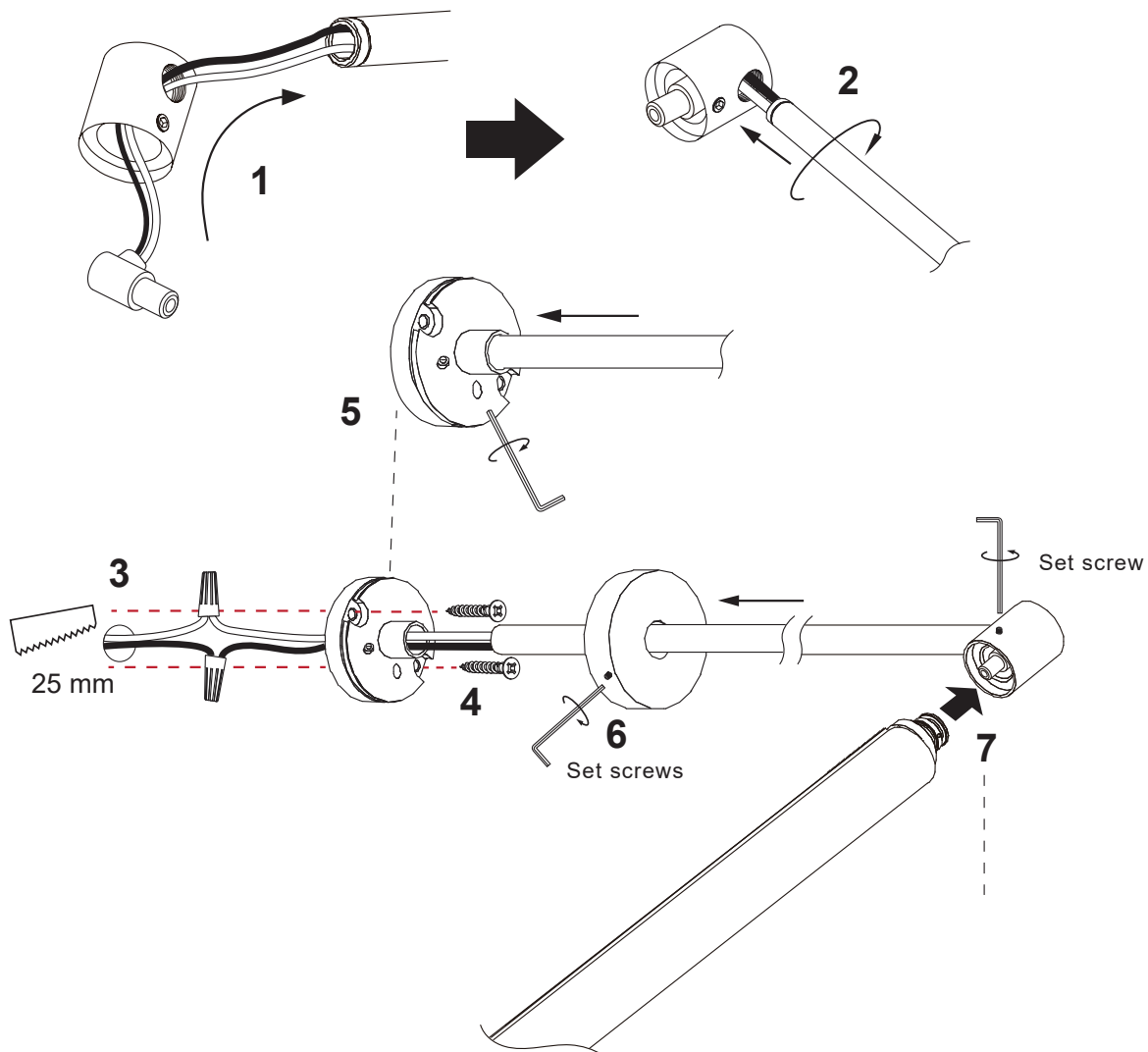


## INSTALLATION INSTRUCTIONS for POWERED SIDE

1. Pass the connector through the end cap and then through other kits.
2. Lock Stem to the opening of the end cap.
3. Feed the low voltage wires from the power supply through the hole. Connect the wire of the fixture with a wire nut.
4. Mount the canopy base to the wall using two screws.
5. Adjust the stem to the desire length. Fix the stem with an Allen key.
6. Install canopy cover with two set screws.
7. To install the connector align the connector with the channel and slide into place and set screw to fix.



## INSTALLATION INSTRUCTIONS for NON-POWERED SIDE

1. Lock Stem to the opening of the end cap.
2. Mount the canopy base to the wall using two screws.
3. Adjust the stem to the desire length. Fix the stem with an Allen key.
4. Install canopy cover with two set screws.
5. To install the connector align the connector with the channel and slide into place and set screw to fix.

