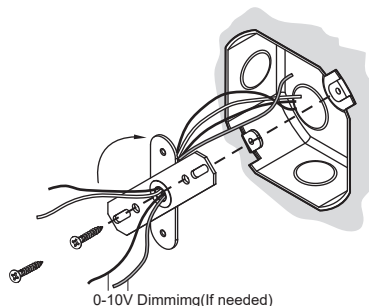


INSTALLATION GUIDE WITH WALL PLATE / CANOPY KIT

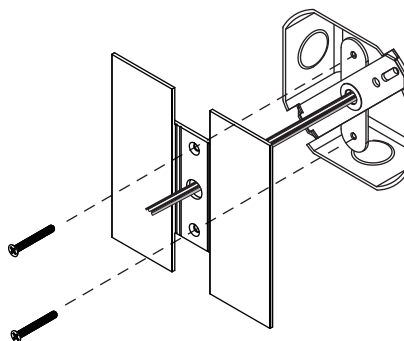


WARNING: RISK OF ELECTRICAL SHOCK
 - turn off main power prior to installation
 - make sure hands are dry
 - never touch exposed wires

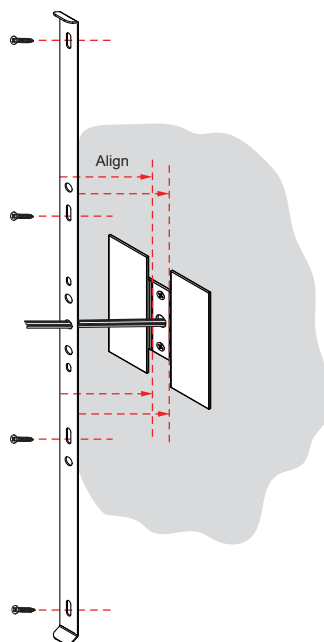
- 1 Feed wires coming from junction box through the crossbar center hole and mount the crossbar to the junction box using the screws provided.



- 2 Mount the wall plate / canopy kit to the crossbar using the screws provided



- 3 Align the bracket to the gap on the wall plate / canopy kit then mount the bracket using the screws provided. Secure the bracket tightly.



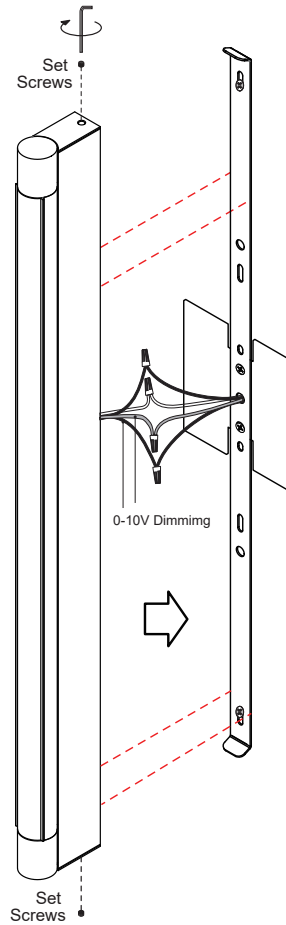
INSTALLATION GUIDE WITH WALL PLATE / CANOPY KIT



WARNING: RISK OF ELECTRICAL SHOCK

- turn off main power prior to installation
- make sure hands are dry
- never touch exposed wires

- 4** Connect the wires, mount the fixture onto the mounting bracket and secure fixture using the two set screws located on the top and bottom of the fixture.



WIRING GUIDE

