

Type: Quantity:

FIXTURE SPECIFICATIONS
INTENDED USE

Top your post with a corrosion-resistant light designed to work in building perimeter areas and public exteriors. Featuring your choice of two finish options, the LED light can be used in plazas, parking lots, malls, gardens, roadways and areas with pedestrian traffic.

FEATURES

Construction: Corrosion resistant heavy duty cast aluminum

Lens: UV polycarbonate lens

Voltage: 120V-277V

CRI: 70

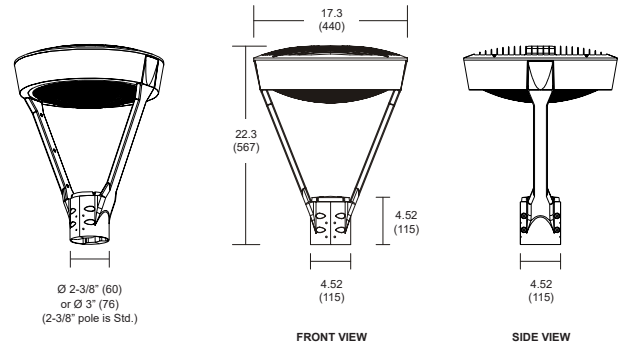
Dimming: 0-10V Dimming

Life: 55,000 Hours

Power Factor: >0.90, THD<20%

Warranty: 5 Years carefree for parts & components (labor not included)

Listings: cULus, DLC, Wet Location Rated, Class P, Class 2


ORDERING INFORMATION Example: (11413-53-30-BR)

Model	Wattage Lumen		Color Temp	Finish	Options
11413	53	53W 7007 Lum	30 3000K	BR Bronze	PH 120-277V Photocell
	82	82W 10201 Lum	40 4000K	WH White	MS 0-10V Motion Sensor
	136	136W 14555 Lum	50 5000K		10 10Kv Surge Protector
					BA Buy American Act