

INSTALLATION INSTRUCTIONS

WARNING: RISK OF FIRE AND ELECTRICAL SHOCK. FIXTURE MUST BE INSTALLED BY A QUALIFIED ELECTRICIAN ONLY IN ACCORDANCE WITH NATIONAL, LOCAL BUILDING AND ELECTRICAL CODES. DISCONNECT POWER AT ELECTRICAL PANEL BEFORE SERVICING.

WARNING

PLEASE READ ALL INSTRUCTIONS BEFORE ATTEMPTING INSTALLATION

- To prevent personal injury or product damage only licensed electricians should install.
- To avoid electric shock or component damage disconnect power before attempting installation or servicing.
- This product must be installed in accordance with the national electric code (NEC) and all applicable federal, state and local electric codes and safety standards.
- Disconnect product and allow cooling prior to servicing.
- Any alteration or modification of this product is expressly forbidden as it may cause serious personal injury, death, property damage and/or product malfunction.
- To prevent product malfunction and/or electrical shock this product must be properly grounded.
- This luminaire is designed to operate in ambient temperatures ranging from -40°C to 45°C and to be horizontally mounted with the LEDs facing down.
- This product must be installed in accordance with the applicable installation code by a Person familiar with the construction and operation of the product and the hazards involved.
- MIN 75°C SUPPLY CONDUCTORS
- CONSULT A QUALIFIED ELECTRICIAN TO ENSURE CORRECT BRANCH CIRCUIT CONDUCTOR
- CAUTION - RISK OF FIRE
- Adjustable Arm/Slipfitter/Yoke Mounted with PHOTOCCELL function tilt angle should not exceed 15 degrees
- This product is not available for several special environments, such as places with corrosive gas liquids or high pressure water vapor.



11403-M (100W, 140W, 180W)



11403-L (300W, 400W)



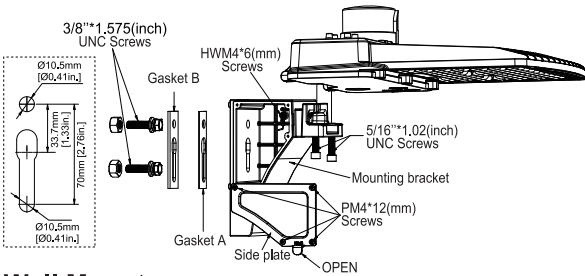
Alcon Lighting 11403 Outdoor Architectural Area & Site LED Post Light



Square/Round Pole Mount

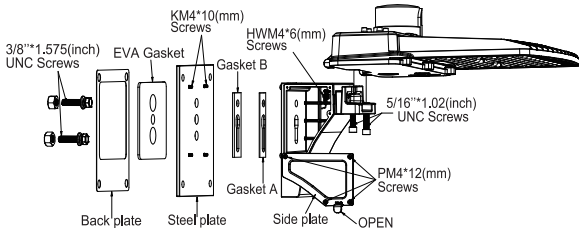
1. Remove the side plate from mounting bracket.
2. Fix the bracket to the pole with 2pcs 3/8 screws.
3. Route the cord into mounting bracket through the hole for wiring, slide the fixture onto the bracket and tighten 2pcs bottom screws.
4. Slightly drag the wires to make sure the hole on bracket is sealed by silicone gasket.
5. Make wiring connection as per wire diagram below, replace the side plate and fasten screws.

Silicone gasket usage instructions:
First, only use silicone gasket A while using a round pole, Second, you need to use two silicone gaskets at the same time while using a square pole.



Wall Mount

1. Remove the side plate by loosen the screws.
2. Fix the steel plate onto the mounting bracket with KM4*10 screws provided.
3. Use the back plate provided to locate footprint on the wall to drill the holes, then fix the bracket on the wall with screws.
4. Route the power cord into wall mount bracket, slide the fixture onto the mounting bracket, then tighten 2pcs bottom screws.
5. Make wiring connection inside of bracket and replace the side plate with screws.



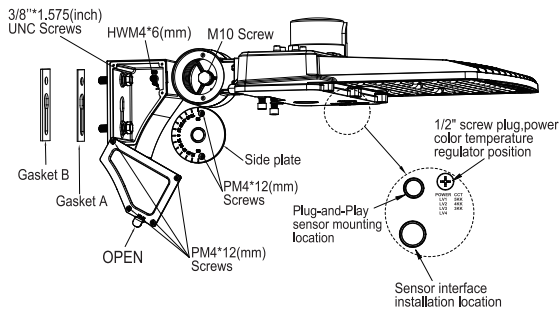
Yoke Mount

1. Mount fixture onto surface using the hole pattern provided on the trunnion bracket.
2. Loosen center bolts and set screw.
3. Rotate fixture to desired aiming position and tighten center bolts.
4. Make wiring connection as per wire diagram below.
5. After fixing the bracket at certain angle, the four Hexagon socket screws should be locked by manual wrench

Adjustable Arm Mount

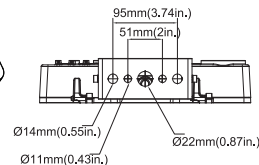
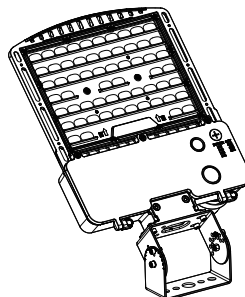
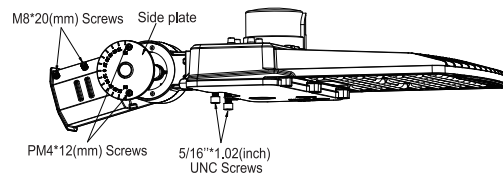
1. Remove the bracket cover 6 pcs PM4*12 screws.
2. Fix the bracket to the light pole with 2 pcs 1-3/8 screws.
3. Loosen the screws of M10 and adjust the appropriate angle.
4. Thread the fixture input wire through the bracket.
5. Install the fixture on the bracket and lock the screws.
6. Complete the wiring according to the wiring diagram.
7. Arrange the power cord and install 2 face covers, taking care that the power cord is not exposed and does not press the wire.

Silicone gasket usage instructions:
First, only use silicone gasket A while using a round pole, Second, you need to use two silicone gaskets at the same time while using a square pole.



Slipfitter Mount

1. Connect the wires to L / N / GND
2. Remove the cover and adjust the bracket to the desired angle
3. Install the bracket on the pole and fix it with screws



COLOR TEMPERATURE GUIDE

2700K	3000K	3500K	4000K	5000K
WARM WHITE	SOFT WHITE GLOW	NEUTRAL GLOW	COOL WHITE GLOW	DAYLIGHT GLOW
friendly personal intimate	soft warm pleasing	sociable inviting non-threatening	neat clean efficient	bright cool alert
HOMES LIBRARIES RESTAURANTS	HOMES HOTEL ROOMS LOBBIES RETAIL STORES	EXECUTIVE OFFICES RECEPTION AREAS SUPERMARKETS	OFFICES CLASSROOMS MASS MERCHANTISERS SHOWROOMS	GRAPHICS INDUSTRY HOSPITALS GALLERIES BEAUTY SALONS
X	✓	✓	✓	X