

## FEATURES & SPECIFICATIONS

### INTENDED USE

The **Alcon Lighting Block Architectural LED Surface Mount Direct Light Strip** features a compact design with efficient lighting that provides crisper brightness and more energy savings. The Block is ideal for indoor applications in industrial, commercial, institutional, or architectural installations.

### DETAILS

**4 FT - W 2.75" x L 48" x H 3.625"**

**Construction:** Die-formed steel channel with knock-outs for versatile configuration and easy mounting  
Corrosion Resistant

**Finish:** High-gloss baked white enamel

**Lens:** Frosted Acrylic Diffuser

**Electrical:** Meets Class 1 or Class 2 Circuit

### ADDITIONAL FEATURES

**Voltage:** 120-277 (50/60 Hz)

**Dimming:** 0-10V 1~100%

**CRI:** 83+

**Efficiency:** 126 lm/W

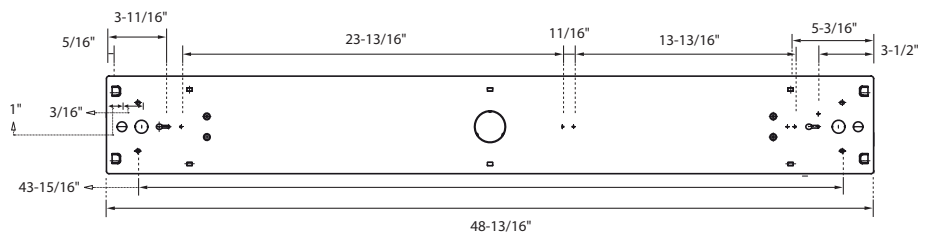
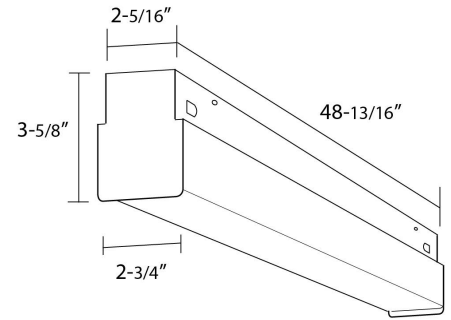
**Power Factor:** +0.95

**THD:** <20

**Operating Temperature:** -20°C (-4°F) - 50°C (122°F)

**Life:** L80 - 50,000 Hours

**Listings:** Suitable for Damp Locations



### Ordering Information:

Example: (11243-4-36W-30K-AC48-EM5)

Model	Wattage and Lumens	Color Temp	Options
11243-4	<b>27W</b> 27 watts / 2916 lms	<b>30K</b> 3000K	<b>EM5</b> 5W Emergency Ballast
	<b>36W</b> 36 watts / 3888 lms	<b>35K</b> 3500K	<b>EM8</b> 8W Emergency Ballast
	<b>54W</b> 54 watts / 5832 lms	<b>40K</b> 4000K	<b>EM16</b> 16W Emergency Ballast
		<b>50K</b> 5000K	<b>DD</b> Integrated Daylight Dimming Photosensor
			<b>OS</b> Integrated Occupancy Sensor