

FIXTURE SPECIFICATIONS

INTENDED USE

This architectural adjustable ceiling cylinder offers low-glare downlighting. The diecast aluminum fixture is intended for indoor and outdoor retail or commercial purposes. Our versatile light comes with a silicone O-ring and a tempered glass lens. Exclusively designed for downlighting.

PRODUCT FAMILY

- 11235-ADJ** Cylinder Adjustable
- 11235-DIR** Cylinder Direct
- 11223-DIR** Square Direct

FEATURES

Construction: Round One Piece High Grade Aluminum Extrusion with Die Cast Aluminum Top Plate Tamper Resistant, includes adjustable led array that rotates 25°

Light Engine: LED Chip-On-Board

Lens: Clear Tempered Glass and Silicone O-Ring

Lumens: 700lm

Reflector: Glare-Free, One piece, Heavy Gauge Aluminum

Mounting: Includes Bracket for Installation Directly to a 3-1/2" or 4" octagonal electrical junction-box

Voltage: 120V (120V-277V Available for Dimming)

CRI: 84+

Dimming: Universal Dimming System Compatible with 2-Wire TRIAC, 3-Wire ELV, and 5-Wire 0-10V Dimmers

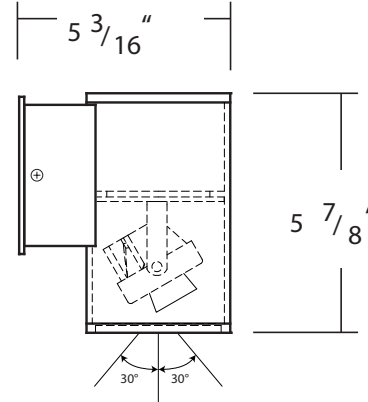
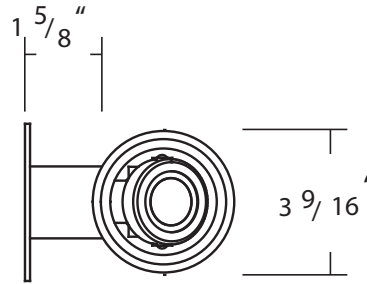
Life: L70 - 50,000 Hours

Emergency: 90 Minutes Minimum, Remote Test Switch, Plate Cover, Junction Box Included

Listing: ETL/cETL Listed Suitable for Wet Location. Assembled in the US (IP65) **Electrical:** Electronic Direct Current Class 2 driver

Warranty: 5 Years Carefree for Parts and Components (Labor not included). We recommend the use of surge protectors on the power entering LED Housings. Surge damage is not covered by warranty.

Compliance: Dark Sky Compliant when fixture is pointing downward.



ORDERING INFORMATION Example: (11235-ADJ-B60-UNI-40K-WH-EM)

Model	Beam Spread	Dimming	Color Temperature	Finish	Options
11235-ADJ Pavo-Adjustable-Cylinder	B45 45° Flood B60 60° Wide Flood <i>Standard</i>	ND <i>Standard</i> Non-Dimming (120V) UNI Universal (120V / 277V)	27K 2700K 30K 3000K 35K 3500K 40K 4000K <i>Standard</i>	WH White BK Black SL Silver	EM Remote Emergency Backup Battery JB Integral Junction Box

11235-ADJ-B45-UNI-30K-BK

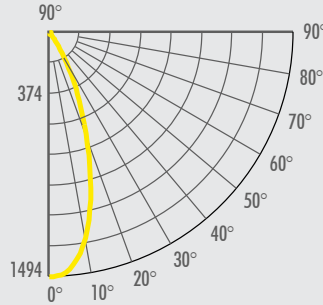
700lm - 3000K

CANDELA TABULATION

FOOTCANDLE DISTRIBUTION

System Power	:8.8W
Test Date	:3/2016
Beam Angle 50%	:36.2°
Field Angle 10%	:65.3°
Color Temperature	:3000K
CRI	:90.0
R9 Value	:73.0
Lumens Delivered	:680Lm
CBCP	:1494cd
Power Factor	:0.89

Multipliers	
4000K	1.33
3500K	1.17
2700K	0.90



Height	Beam Diameter	FC
8.0'	5.2'	23.3
10.0'	6.5'	14.9
12.0'	7.8'	10.4
16.0'	10.5'	5.8
20.0'	13.1'	3.7

COLOR TEMPERATURE GUIDE

2700K	3000K	3500K	4000K	5000K
WARM WHITE	SOFT WHITE GLOW	NEUTRAL GLOW	DAYLIGHT GLOW	CRYSTAL WHITE GLOW
friendly personal intimate	soft warm pleasing	sociable inviting non-threatening	neat clean efficient	bright cool alert
HOMES LIBRARIES RESTAURANTS	HOMES HOTEL ROOMS LOBBIES RETAIL STORES	EXECUTIVE OFFICES RECEPTION AREAS SUPERMARKETS	OFFICES CLASSROOMS MASS MERCHANDISERS SHOWROOMS	GRAPHICS INDUSTRY HOSPITALS GALLERIES BEAUTY SALONS
✓	✓	✓	✓	✗