

Project Name:

Type:

Quantity:

FIXTURE SPECIFICATIONS

INTENDED USE

The **Pavo LED 4-Inch Architectural Wall Mount Direct or Adjustable Light** is a versatile low glare lighting fixture that can be used indoor and outdoor, up or down, in commercial or retail settings. The Pavo is used to accent and create dramatic effects while providing a great source of lighting from above.

FEATURES

Construction: Square one piece high grade aluminum extrusion with die cast aluminum top plate, tamper resistant

Adjustable Option: 15° rotation

Light Engine: LED chip-on-board

Lens: Round one piece extruded aluminum with powder coat finish, clear, tempered glass and silicone O-ring

Reflector: Glare-free, one piece, heavy gauge aluminum

Mounting: Includes bracket for installation directly to a 3-1/2" or 4" octagonal electrical junction-box

Voltage: 120V (120-277 available for dimming)

CRI: 84+

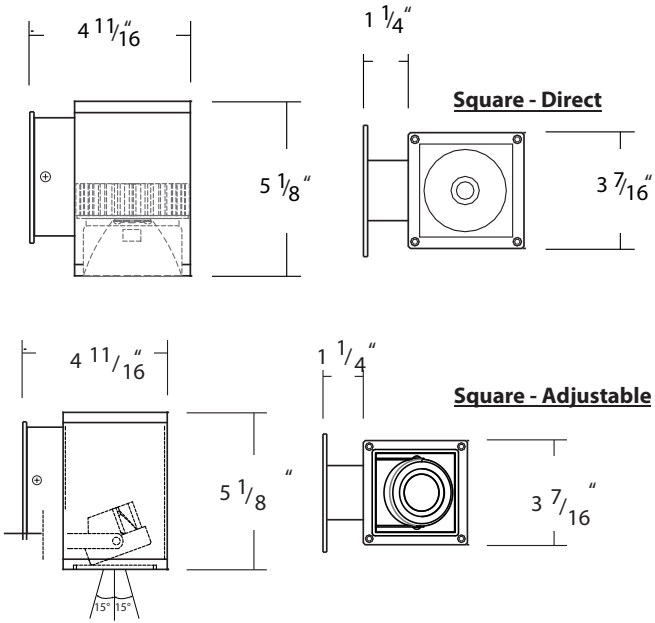
Dimming: Universal dimming system compatible with most 3-wire ELV, 2-wire incandescent and 5-wire 0-10V fluorescent dimmers

Life: L70 - 50,000 hours

Emergency: 90 minutes minimum

remote test switch, plate cover, junction box included

Listing: cETLus, cULus, Title 24 (DIR model only), IP65, Suitable for wet location



ORDERING INFORMATION Example: (11225-DIR-15W-WF60-UNI-40K-WH-EM)

Model	Lumen Output	Beam Spread	Dimming	Color Temp	Finish	Options
11225 Pavo-Square	<i>DIRECT DOWN LIGHT</i> DIR-15W 15 watts 850 lms	WF60 60° Wide Flood PE2¹ 2° Pencil NS10¹ 10° Narrow Spot SP20¹ 20° Spot FL45 45° Flood WW Wall Wash IV Type IV (forward throw)	ND Non-Dimming (120V) UNI Universal (Triac / ELV / 0-10V)	17K^{1,2,3} 1700K 20K^{1,2,3} 2000K 27K² 2700K 30K 3000K 35K² 3500K 40K 4000K 50K^{1,2} 5000K 56K^{1,2,3} 5600K 27C^{1,2} 2700K (97 CRI) 30C^{1,2} 3000K (97 CRI)	WH White BK Black BR² Bronze SL² Silver	EM Emergency DS⁴ Daylight Sensor LV Hex-Cell Louver

¹Not Available for Adjustable Models.
²Special Order. Minimum lead time may apply.
³Minimum Order Required (25).
⁴Daylight Sensor is for 120V input only.