

MODEL NUMBER: 11224

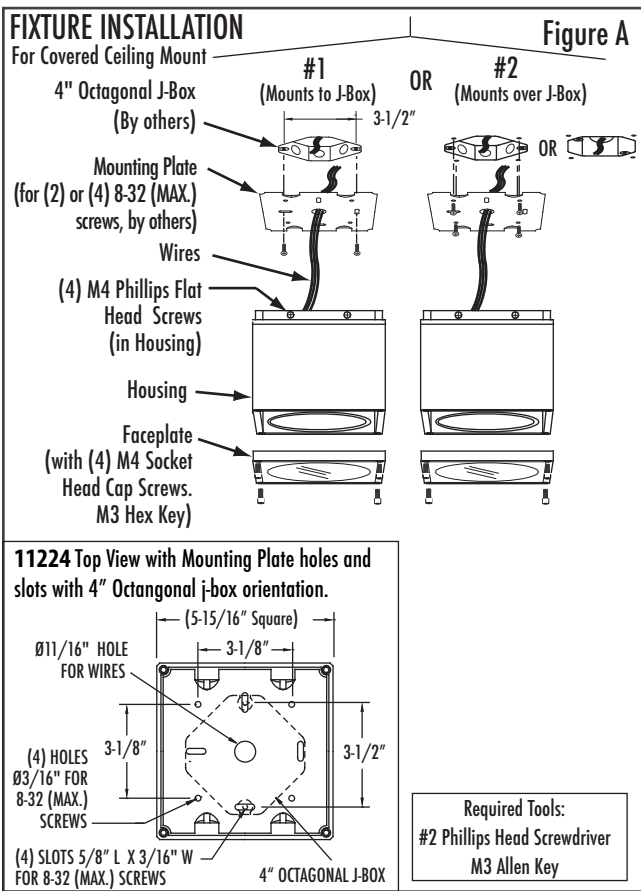
SAVE THESE INSTRUCTIONS

• **Danger:** Always disconnect power before wiring, or maintenance. Fixture must be installed by a qualified electrician. Do not install in locations where water collects and/or stands for prolonged periods of time. Fixture must always be installed according to local and national electrical codes, rules & regulations. Fixture must be installed on a circuit protected by Ground Fault Circuit Interrupter (GFCI).

• **Warning:** The joint MUST be sealed between the mounting surface (e.g., wall, ground, ceiling, etc.) and the fixture with an appropriate sealing / caulking compound to provide a watertight seal. Seal all conduit opening(s) and opening(s) from water entry. Before service ensure fixture is cool to touch. Always ensure that all gaskets and sealing surfaces are free of dirt and debris.

LED fixture(s), LED driver(s) and LED electrical components are more precise electrically than standard non LED products (e.g. Incandescent, Compact Fluorescent, H.I.D., etc.). Please follow the following guidelines/requirements when installing LED fixture(s)/LED driver(s).

1. Install LED fixture(s) and/or LED driver(s) only on their own circuit. Do not mix any other non LED products/fixtures (e.g., Incandescent, Compact Fluorescent, H.I.D., etc.) with LED fixture(s)/LED driver(s) on a single circuit.
 2. Do not use any other electrical equipment (e.g., surge protectors, photocells, etc.) that is not (rated) for use with LED fixture(s)/LED driver(s) on the same circuit as LED fixture(s)/LED driver(s).
 3. Use GFCI's (by others) on each circuit (per installation instructions) appropriate for the installation.
 4. Install remote surge protector(s) (by others, goes on the circuit with nothing between the surge protector and the LED fixture(s)/LED driver(s)), if the fixture is not already installed with a surge protector, to help remove power surges that may harm LED fixture(s), appropriate for the installation.
- Periodically check and make sure that your remote surge protector(s) are in good working order.



Fixture Installation: (For Covered Ceiling Mount)

1. Make sure supply wiring is in place before mounting fixture.
2. Mounting Plate installs directly to a 4" octagonal j-box. Make sure that mounting surface and/or j-box (etc.) can support fixture before installing fixture on mounting surface.
3. Remove Mounting Plate from Housing top by loosening the (4) screws (approximately 7-9 turn) in Housing to expose slots and holes on (and space behind) Mounting Plate (FIGURE A).
4. Connect the supply wiring to the fixture wiring in the j-box. See "Wiring Fixture" instructions below.
5. Use existing slots in Mounting Plate and mount Mounting Plate to a 4" octagonal j-box (by others) with (2) 8-32 screws (by other, FIGURE A, #1) and tighten securely. If using existing holes (or drilling new holes) in Mounting Plate to mount Mounting Plate directly to a mounting surface (or to a different j-box, FIGURE A, #2) make sure hardware (by others) does not interfere with anything in the top of the Housing and Mounting Plate sits flat in the top of the Housing when secured to Housing by (4) screws. Cover newly exposed metal on the Mounting Plate with an outdoor paint to protect it from the elements (appropriate for the application).
6. Mount Housing securely on Mounting Plate and secure with four (4) flat head M4 screws in Housing and tighten securely with screwdriver.
7. Seal all holes/openings from water entry to junction box, wires, and/or fixture (e.g., Mounting surface and Housing, etc.).

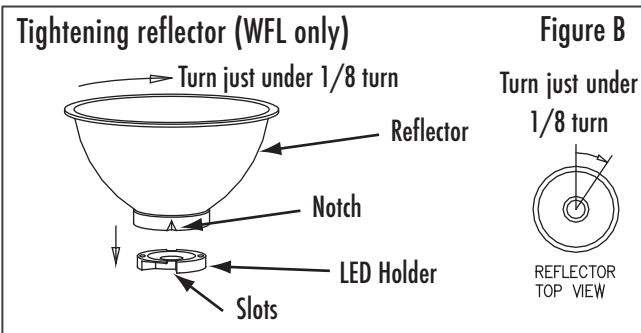
Wiring Fixture:

WARNING: Check fixture for input voltage before connecting power to fixture.

1. Connect ground wire (green or bare copper/aluminum) from the supply circuit to the ground wire (green or bare copper) /screw/connector from the luminaire.
2. Connect the neutral (common) wire from the power supply to the neutral wire from the luminaire.
3. Connect the main voltage supply wire (line/lead) from the power supply to the line (lead) wire from the luminaire.
4. Secure connection using UL Listed wire nuts/connectors and then with UL Listed Electrical tape (by others), as required, appropriate for the connection.
5. For Dimming wiring see Liton web site.

Tightening reflector (Wide Flood reflector only) (FIGURE B):

1. If reflector is loose in fixture remove faceplate from fixture by removing (4) screws (see FIGURE A) with M3 allen key.
2. Make sure reflector is sitting flat on LED holder. If reflector is off LED holder align notch on reflector to slot on LED Holder and gently press reflector on LED holder.
3. Turn reflector gently to the right (just under 1/8 turn) on LED holder until reflector is snug. Do not over tighten.
4. Replace faceplate on fixture with (4) screws. Tighten screws to prevent water entry. Do not over tighten screws.



INSTALLATION INSTRUCTIONS