

Project Name:

Type:

Quantity:

## FIXTURE SPECIFICATIONS

### INTENDED USE

The **Pavo LED Architectural Surface Mount Down Light** is a versatile low glare lighting fixture that can be used indoor and outdoor, up or down, in commercial or retail settings. The Pavo is used to accent and create dramatic effects while providing a great source of lighting from above.

### FEATURES

**Construction:** Round one piece high-grade aluminum extrusion with die cast aluminum top plate  
 Tamper resistant

**Adjustable Option:** 25° rotation

**Light Engine:** LED chip-on-board

**Lens:** Round one piece extruded aluminum with powder coat finish, clear, tempered glass and silicone O-ring

**Reflector:** Glare-free, one piece, heavy gauge aluminum

**Mounting:** Includes bracket for installation directly to a 3-1/2" or 4" octagonal electrical junction-box

**Voltage:** 120 (120-277 available for dimming)

**CRI:** 84+

**Dimming:** Universal dimming system compatible with most 3-wire ELV, 2-wire incandescent and 5-wire 0-10V fluorescent dimmers

**Life:** L70 - 50,000 hours

**Emergency:** 90 minutes minimum remote test switch, plate cover, junction box included

**Warranty:** 5 years carefree for parts & components (labor not included)

**Listing:** cETLus, cULus, IP65, Dark Sky compliant, Suitable for Wet Location, Assembled in the USA



## ORDERING INFORMATION Example: (1 1236-DIR-15W-WF60-UNI-40K-WH-EM)

Model	Lumen Output	Beam Spread	Dimming	Color Temperature	Finish	Options
<b>11236</b> Pavo-Round <a href="#">View Product</a>	<i>DIRECT DOWN LIGHT</i>		<b>ND</b> Non-Dimming (120V)  <b>UNI</b> Universal (Triac / ELV / 0-10V)	<b>17K<sup>2,3,4</sup></b> 1700K <b>25K<sup>2,3,4</sup></b> 2500K <b>27K<sup>3</sup></b> 2700K <b>30K</b> 3000K <b>35K<sup>3</sup></b> 3500K <b>40K</b> 4000K <b>50K<sup>2,3</sup></b> 5000K <b>56K<sup>2,3,4</sup></b> 5600K <b>27C<sup>3</sup></b> 2700K (97 CRI)  <b>30C<sup>2,3</sup></b> 3000K (97 CRI) <b>TF<sup>5</sup></b> 590nm Amber (Turtle Friendly) <a href="#">View Product</a>	<b>WH</b> White <b>BK</b> Black <b>BR<sup>2</sup></b> Bronze <b>SL<sup>2</sup></b> Silver	<b>EM</b> Emergency <b>DS</b> Daylight Sensor <b>FR</b> Frosted Lens
	<b>DIR-15W</b> 15 watts   1000 lms	<b>WF60</b> 60° Wide Flood				
	<b>DIR-22W15</b> 22 watts   1500 lms	<b>PE2<sup>2</sup></b> 2° Pencil				
	<b>DIR-22W22</b> 22 watts   2200 lms	<b>NS10<sup>2</sup></b> 10° Narrow Spot				
	<b>DIR-30W</b> 30 watts   2600 lms	<b>SP20<sup>2</sup></b> 20° Spot				
<b>11224</b> Pavo-Square <a href="#">View Product</a>	<i>ADJUSTABLE</i>		<b>FL45</b> 45° Flood <b>NF24<sup>2</sup></b> 24° Narrow Flood			
	<b>ADJ-9W<sup>1</sup></b> 9 watts   700 lms <a href="#">View Product</a>					

<sup>1</sup>Only Available for Pavo-Round.

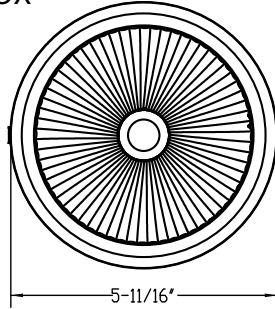
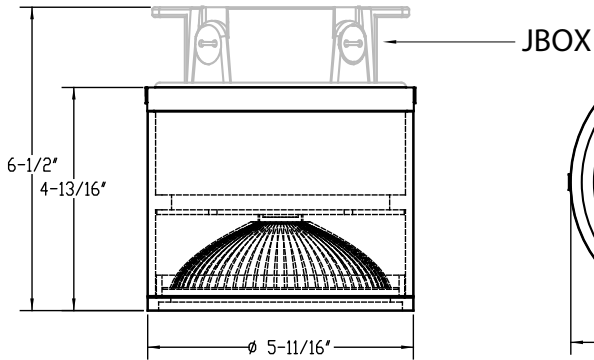
<sup>2</sup>Not Available for Adjustable Models.

<sup>3</sup>Special Order. Minimum lead time may apply.

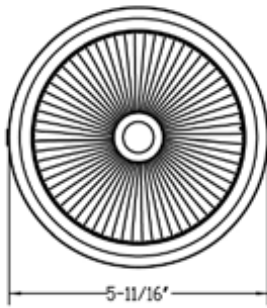
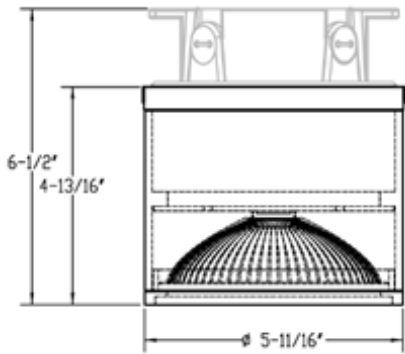
<sup>4</sup>Minimum Order Required (25).

<sup>5</sup>Only Available for Pavo-Square

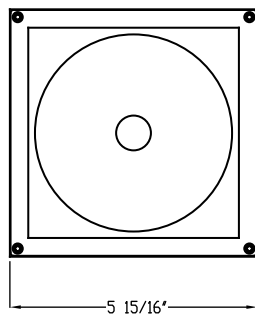
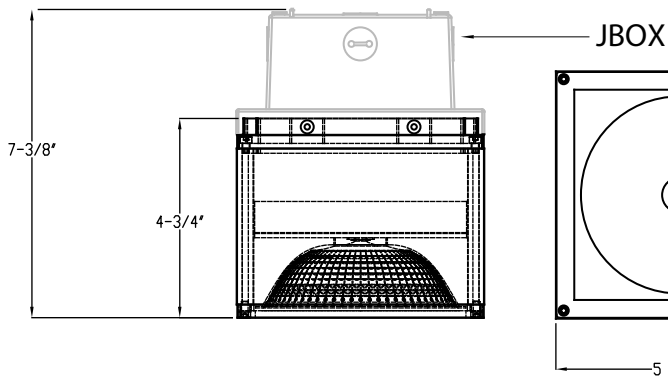
**Round - Direct**



**Round - Adjustable**



**Square - Direct**

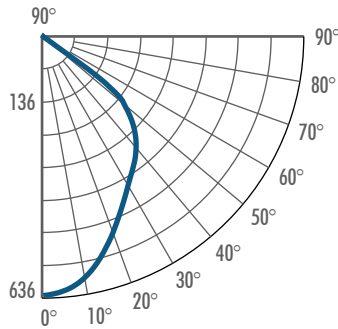


**PHOTOMETRY: 1000lm - Wide Flood - 400**

<b>LUMEN PACKAGE :</b>	1000lm	1500lm	2200lm	2600lm
<b>SYSTEM POWER :</b>	15W	22W	22W	30W

System Power	:15.1W	Multipliers	
Test Date	:9/2016	5600K	1.43
Beam Angle 50%	:92.6°	5000K	1.28
Field Angle 10%	:111.1°	3500K	0.90
Color Temperature	:3903K	3000K	0.77
CRI	:84.0	2700K	0.69
R9 Value	:21.0	2500K	0.64
Lumens Delivered	:1113lm	1700K	0.44
CBCP	:.636cd	Lumen Multipliers	
Power Factor	:.99	1500lm	1.35
		2200lm	1.98
		2600lm	2.34
		CRI	
		80 CRI (Blank)	:0.95
		90 CRI (-C90)	:1.07
		97 CRI (-C97)	:1.15

**CANDELA TABULATION**



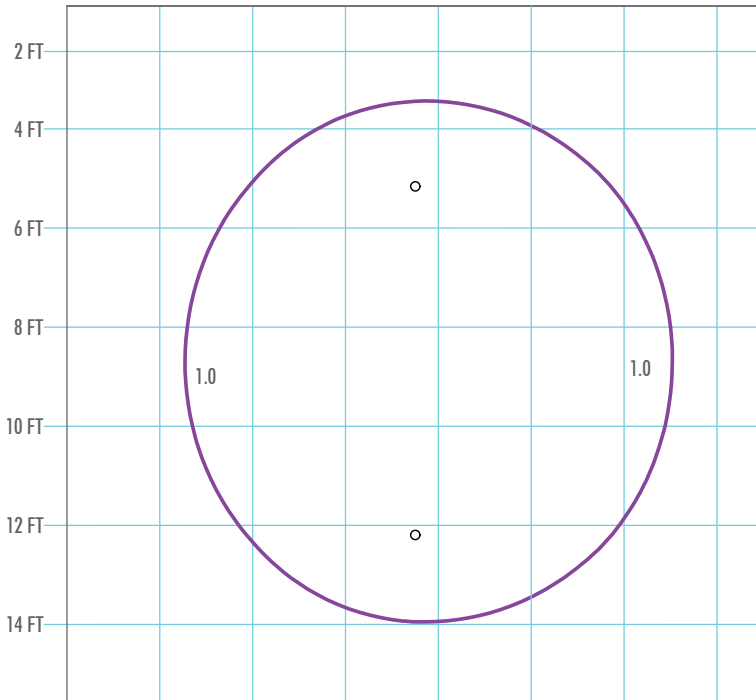
**FOOTCANDLE DISTRIBUTION**

Height	Beam Diameter	FC
6.0'	12.6'	17.7
8.0'	16.7'	9.9
10.0'	20.9'	6.4
12.0'	25.1'	4.4
14.0'	29.3'	3.2

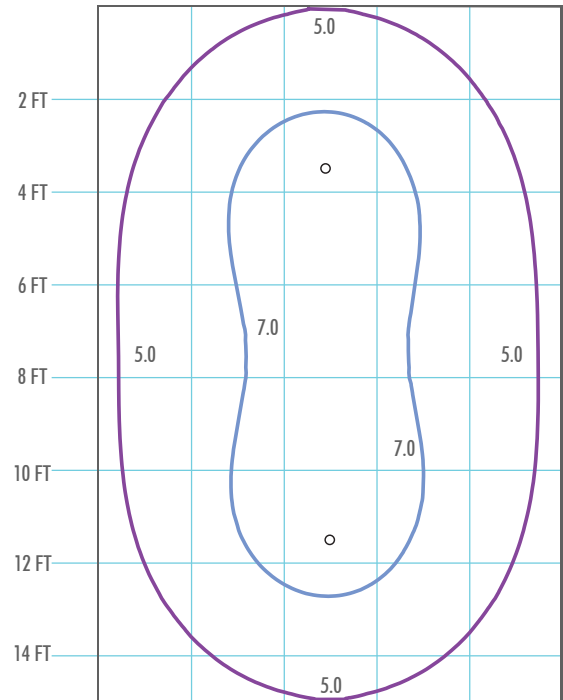
**ISO FOOTCANDLE PLOTS | Two Fixture**

32 Ft Mtg Ht. 8 Ft O.C. Spacing

10 Ft Mtg Ht. 8 Ft O.C. Spacing



1 Grid = 2 FT  
15 FT x 15 FT Surface Area to achieve (Avg) 1.0 FC  
80% Reflectance Value on Ceiling  
20% Reflectance Value on Surface



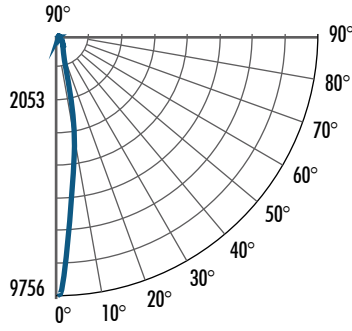
1 Grid = 2 FT  
10 FT x 15 FT Surface Area to achieve (Avg) 5.9 FC  
80% Reflectance Value on Ceiling  
20% Reflectance Value on Surface

### PHOTOMETRY: 1000lm - Narrow Spot - 4000K

<b>LUMEN PACKAGE :</b>	1000lm	1500lm	2200lm	2600lm
<b>SYSTEM POWER :</b>	15W	22W	22W	30W

System Power	:15.3W	Multipliers	
Test Date	:5/2017	5600K	1.39
Beam Angle 50%	:12.6°	5000K	1.25
Field Angle 10%	:28.9°	3500K	0.87
Color Temperature	:4016K	3000K	0.75
CRI	:85.3	2700K	0.67
R9 Value	:26.6	2500K	0.62
Lumens Delivered	:1038lm	1700K	0.42
CBCP	:10651cd	Lumen Multipliers	
Power Factor	:0.99	1500lm	1.45
		2200lm	2.12
		2600lm	2.50
		CRI	
		80 CRI (Blank)	:0.9 4
		90 CRI (-C90)	:1.0 6
		97 CRI (-C97)	:1.1 4

#### CANDELA TABULATION



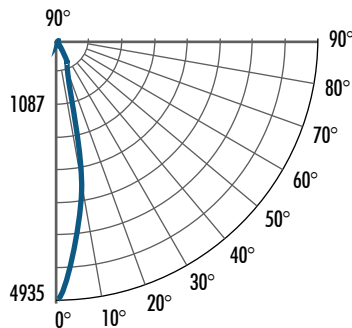
#### FOOTCANDLE DISTRIBUTION

Height	Beam Diameter	FC
3.3'	0.7'	906.4
6.6'	1.4'	226.6
9.8'	2.2'	100.7
13.1'	2.9'	56.6
16.4'	3.6'	36.6

### PHOTOMETRY: 1000lm - Spot - 4000K

System Power	:15.3W	Multipliers	
Test Date	:5/2017	3500K	1.39
Beam Angle 50%	:21.5°	5000K	1.24
Field Angle 10%	:47.0°	3000K	0.87
Color Temperature	:4021K	2700K	0.75
CRI	:85.4	2500K	0.67
R9 Value	:27.4	1700K	0.42
Lumens Delivered	:1050lm	Lumen Multipliers	
CBCP	:5062cd	1500lm	1.43
Power Factor	:0.99	2200lm	2.10
		2600lm	2.48
		CRI	
		80 CRI (Blank)	:0.9 4
		90 CRI (-C90)	:1.0 5
		97 CRI (-C97)	:1.1 4

#### CANDELA TABULATION



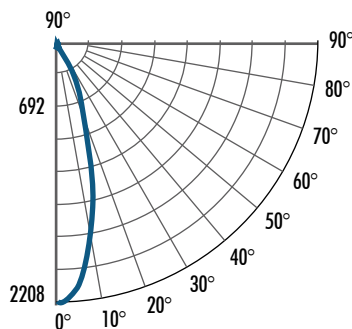
#### FOOTCANDLE DISTRIBUTION

Height	Beam Diameter	FC
3.3'	1.2'	458.5
6.6'	2.5'	114.6
9.8'	3.7'	50.9
13.1'	5.0'	28.7
16.4'	6.2'	18.3

### PHOTOMETRY: 1000lm - Flood - 4000K

System Power	:15.2W	Multipliers	
Test Date	:5/2017	5600K	1.38
Beam Angle 50%	:34.9°	5000K	1.24
Field Angle 10%	:67.5°	3500K	0.86
Color Temperature	:4048K	3000K	0.74
CRI	:85.4	2700K	0.67
R9 Value	:26.8	2500K	0.62
Lumens Delivered	:980lm	1700K	0.42
CBCP	:2215cd	Lumen Multipliers	
Power Factor	:0.99	1500lm	1.53
		2200lm	2.24
		2600lm	2.65
		CRI	
		80 CRI (Blank)	:0.9 4
		90 CRI (-C90)	:1.0 5
		97 CRI (-C97)	:1.1 4

#### CANDELA TABULATION



#### FOOTCANDLE DISTRIBUTION

Height	Beam Diameter	FC
3.3'	2.1'	205.2
6.6'	4.1'	51.3
9.8'	6.2'	22.8
13.1'	8.3'	12.8
16.4'	10.3'	8.2

