



**WARNING**  
ELECTRICAL SHOCK HAZARD

**READ and UNDERSTAND** these instructions before installing luminaire.

Disconnect the Electrical supply power at the services panel (fuse or circuit breaker box). Failure to do so could result in serious injury.

Only qualified electricians should install this luminaire and the installation **MUST** conform to the Canadian Electrical Code Part I and any local codes and ordinances. Makes sure you have the proper tools and materials to complete the installation before attempting to install the luminaire.

**GENERAL:** Upon receipt of the fixture, thoroughly inspect for any freight damage which should be brought to the attention of the delivery carrier. Compare the catalog description listed on the packing slip with the fixture label on the housing to assure you have received the correct material.

**SAFETY:** This fixture must be wired in accordance with the international electrical code and applicable local codes and ordinances. Proper grounding is required to insure personal safety. Carefully observe the correct grounding procedure under installation section.

**WARNING:** Risk of Fire/Shock. If not qualified, consult an electrician. Risk of Electrical Shock. Disconnect Power at fuse or circuit breaker panel or fuse box before installing or servicing.

### INSTALLATION

1. Open the lens assembly and then remove the LED Module/ Driver Module.
2. Prepare the back plate for mounting by drilling or knocking out the appropriate holes. ( Fig. 1 ).
3. Line up the back plate in desired location and mount Securely.
4. Complete the wiring to the power source and ground.
5. Reassemble the LED Module/ Driver Module. Install lamp and mount the lens assembly.

### MOUNTING

The back plate has a cast-in drill and knock-out template to match any standard recessed junction box, three 5/16" knockouts for mounting holes "A" and three 1/2" NPS tapped holes "D" for surface conduit, photocontrol.

- A – 5/16" dia. Knockouts
- B – 9/16" dia. Knockouts.
- C – Knockouts for #10 screw.
- D – 1/2" NPS tapped holes.

### IMPORTANT:

To weather-proof your outdoor installation, be sure to seal all holes in fixture housing. (mounting, conduit, plugs, photocontrols, etc. ) with silicone sealant.

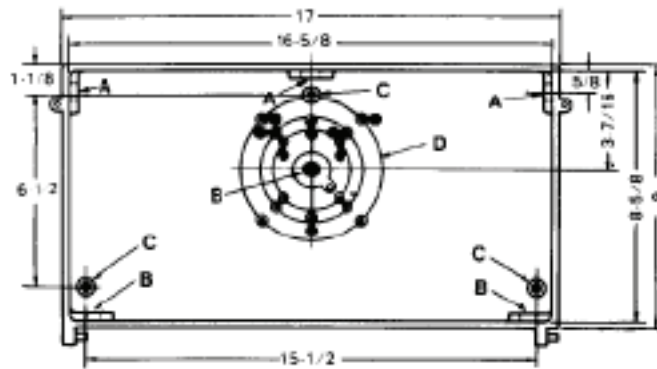
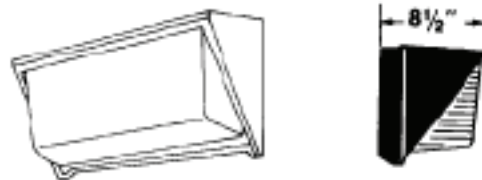
### REPLACING LED MODULE

**CAUTION - DISCONNECT ELECTRICAL CIRCUIT BEFORE REPLACING LAMP.**

1. Release the screws and open the door frame.
2. Replace with the LED Module.
3. Close the door frame by tightening the screws.

**TROUBLE SHOOTING CHECK LIST :** If the light does not work.

- Check your power source.
- Check electrical connections.
- Check to insure proper seating of lamp.
- Check if lamp burned out.



- A** Tapped conduit holes, 1/2" NPS standard, 3/4" available.
- B** Optional locations for tapped 1/2" or 3/4" conduit access holes.
- C** Knock-out mounting holes, 5/16" diameter.
- D** Cast-in template with knock-outs for alignment to recessed boxes and for wire clearance.