

## INSTALLATION GUIDE

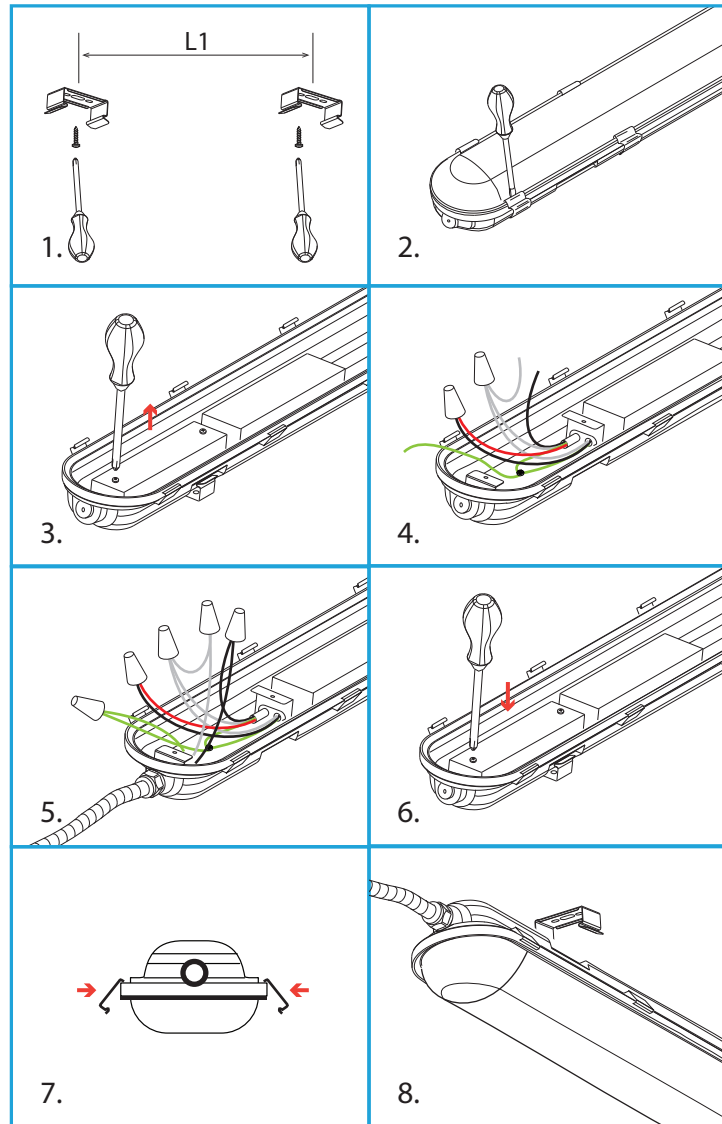
### IMPORTANT SAFETY INFORMATION:

Please read all the instructions below before installation.

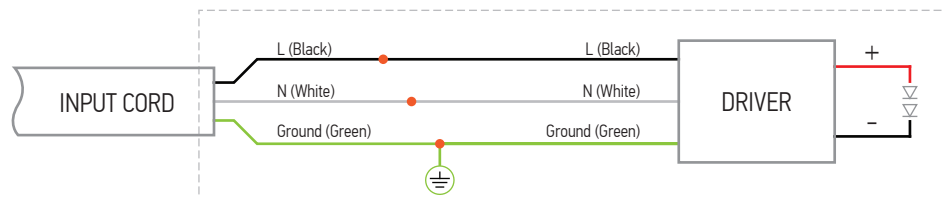
- Make sure that the supply voltage corresponds to the rated product voltage.
- The product must be installed by a qualified electrician in accordance with the National Electrical Code and corresponding local codes.
- If the product is damaged, do not use it.
- All wiring connections should be capped with UL approved wire connectors.
- For surface mount there are two stainless steel brackets included.
- This fixture is intended to be connected to a properly installed and grounded UL listed junction box with suitable strain relief means for power cord. The junction box is not included, should be purchased separately.

### INSTALLATION STEPS

1. Affix the mounting brackets to the ceiling/wall.  
Distance between the brackets (L1) should be 33.5" (850 mm) ± 1.2" (30 mm)
2. Open clips and remove diffuser.
- 3, 4. Open the cover of the junction box.
5. Insert power cord through watertight metal fitting on the end of the fixture. Connect the power cord to the junction box located at the head of the lighting fixture.
6. Affix the cover of the junction box.
7. Affix the diffuser cover by the clips.
8. Affix the fixture to the ceiling/wall by the mounting brackets.

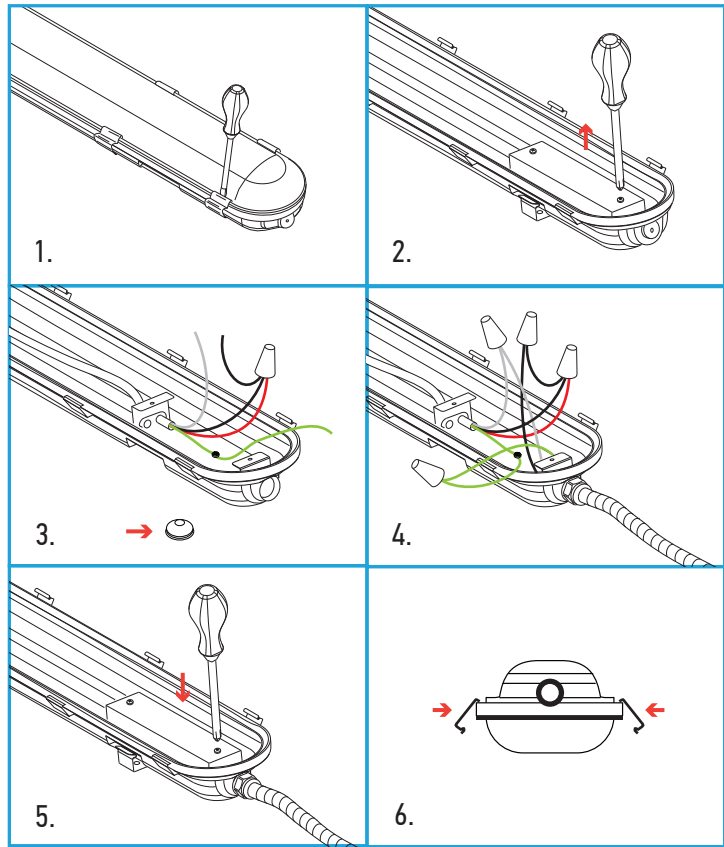


### ELECTRICAL SCHEMATIC DIAGRAM

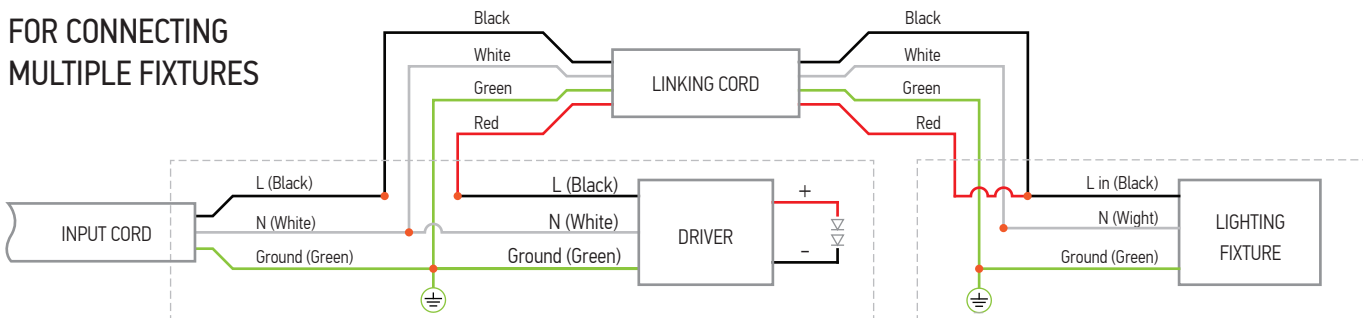


### CONNECTING MULTIPLE FIXTURES TO ONE SWITCH

1. Open clips and remove diffuser.
2. Open the cover of the junction box.
3. Remove gasket at the end of the fixture and attach watertight fitting (customer supplied).
4. Insert power cord through the watertight fitting and connect the power cord to the appropriate wires in the junction box following the electrical schematic below. Connect the power cord to the junction box located at the head of the lighting fixture.
5. Affix the cover of the junction box.
6. Affix the diffuser cover by the clips.



### ELECTRICAL SCHEMATIC DIAGRAM FOR CONNECTING MULTIPLE FIXTURES



### LINKING LIMITS:

Model	Linkable Quantities Depending on Voltage		
	110V	200V	277V
11201-4-35	12 pcs	24 pcs	36 pcs
11201-4-40	12 pcs	24 pcs	36 pcs
11201-4-50	12 pcs	24 pcs	36 pcs