

FEATURES & SPECIFICATIONS

INTENDED USE

The **Alcon Lighting Spot Light Box Architectural LED Wall Mount Lighting** features easy installation, connectors for a uniform appearance, endless Spot Light additions, and clean, versatile, and efficient lighting. The Spot Light Box LED is perfect for indoor and outdoor commercial and institutional interior spaces.

DETAILS

W 4.375" x **L** 4.625"

Construction: Extruded Aluminum

65% Recycled Materials

Optics: Premium binned LEDs

Mounting: Universal mounting to any structural ceiling or wall joints

Weight: 2.5 lbs per foot

ADDITIONAL FEATURES

Wattage: 8W

Lumens: 500 lms

Dimming:

120V ELV Dimming

277V Non-Dimming

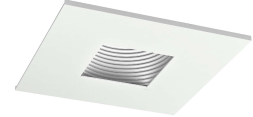
CRI: 80+

Life: L70 - 80,000 Hours



Accent

2" Square
0°-20° Positioning



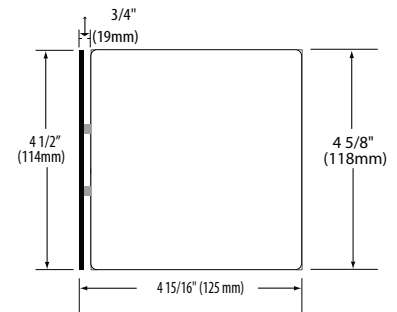
Pull Down

2" Round
0°-85° Positioning



Gimbal

2" Round
0°-35° Positioning



Ordering Information:

Example: (11161-2-A15-27K-120-WH)

Model	No. of Spot Lights	Spot Light/Spread ¹	Color Temp	Driver	Finish	Options
11161 Spot Light Box Wall Mount	1 1 Spot Light (4.5") 2 2 Spot Lights (9") 3 3 Spot Lights (13.5") 4 4 Spot Lights (18") 5 5 Spot Lights (22.5") 6 6 Spot Lights (27") 7 7 Spot Lights (31.5") XX¹ Custom	<i>Accent</i> A15 15° Spot A25 25° Narrow Flood A38 38° Flood <i>Pull Down</i> P15 15° Spot P25 25° Narrow Flood P38 38° Flood <i>Gimbal</i> G15 15° Spot G25 25° Narrow Flood G38 38° Flood	27K 3000K 30K 4000K 40K 3000K RGBW RGBW	120 120V 277 277V	WH White (Standard) BK Black SL Silver CU Custom (RAL#) PW Premium Wood Grain	WL Wet Location

¹Add 4.5" to Channel per Option