

FIXTURE SPECIFICATIONS

INTENDED USE

The Prisma Architectural LED Shallow Shroud and Flat Panel Box is designed to easily convert any flat panel into an aesthetically pleasing ceiling mounted fixture. Offering field-tunable wattage and color temperature, the Prisma is ideal for commercial lighting applications, including office lighting, retail lighting, as well as modern residential lighting.

AVAILABLE SIZES

1x4 Shallow Shroud - 48.0"L x 11.92"W x 4.0"H

2x2 Shallow Shroud - 24.0"L x 24.0"W x 4.0"H

2x4 Shallow Shroud - 48.0"L x 24.0"W x 4.0"H

1x4 Flat Panel - 47.80"L x 11.80"W x 1.77"H

2x2 Flat Panel - 23.80"L x 23.80"W x 1.77"H

2x4 Flat Panel - 47.80"L x 23.80"W x 1.77"H



FEATURES

Color Temperature Switch: Capable of delivering 3000K, 3500K, 4000K & 5000K Color Temperatures

Construction: Specially designed shallow shroud and flat panel combined Sealed Non-IC type high-grade aluminum

Mounting: Recessed (Panel Only) or Surface (Panel with Shroud)

Light: UV/IR Free

Lens: Diffused Frosted

Voltage: 120-277V (50/60 Hz) Constant Current

Dimming: 5-Wire 0-10V

CRI: 80+

Power Factor: >99

Life: L70 - 50,000 Hours

Driver: Class 2 Compliant

Listings: cULus Listed

Warranty: 5 Years Carefree for Parts & Components (Labor Not Included)

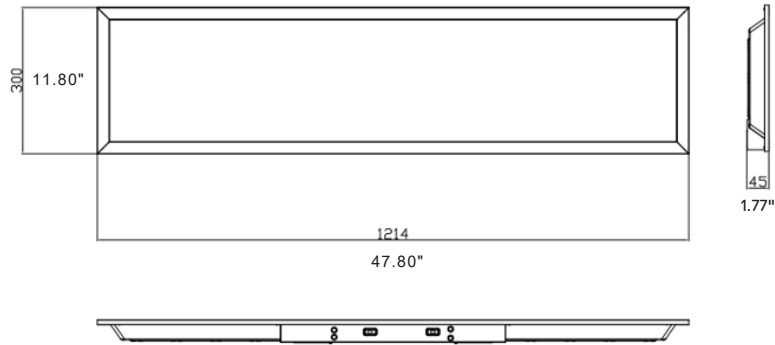
Size	Wattage Lumen Switching Capabilities
1x4	20W, 30W, 40W 2400lm, 3400lm, 4400lm
2x2	20W, 30W, 40W 2400lm, 3400lm, 4400lm
2x4	30W, 40W, 50W 3600lm, 4600lm, 5500lm



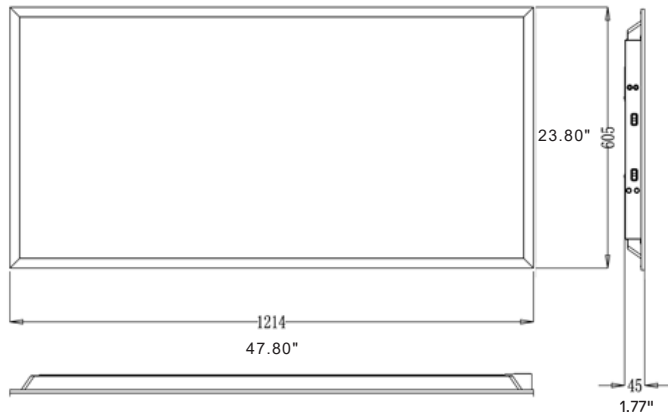
ORDERING INFORMATION Example: (11150-SH-14-WH)

Model	Size Wattage	Finish	Options
11150-PN Panel Only	14 1x4 20W, 30W, 40W	WH White	EM7 7 Watt Emergency Backup Battery
11150-SH Panel with Shroud	22 2x2 20W, 30W, 40W	BK Black	EM12 12 Watt Emergency Backup Battery
	24 2x4 30W, 40W, 50W	SL Silver	EM14 14 Watt Emergency Backup Battery
			EM20 20 Watt Emergency Backup Battery

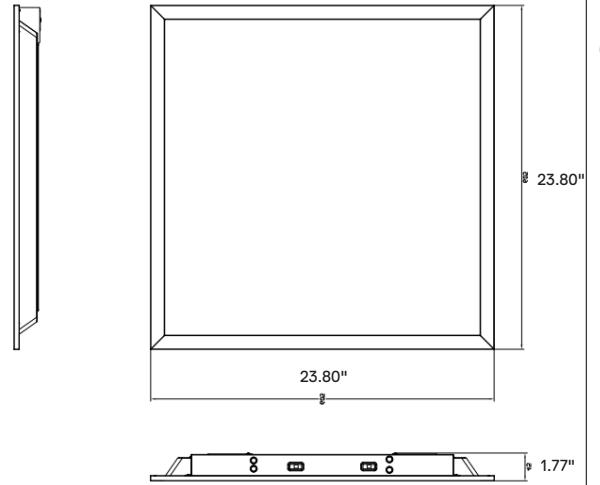
FIXTURE DIMENSIONS



1x4



2x4



2x2