

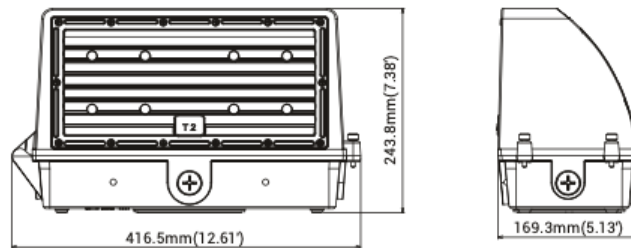
LED Wall Pack Installation Instruction

IMPORTANT SAFEGUARDS

When using electrical equipment, basic safety precautions should always be followed including the following:

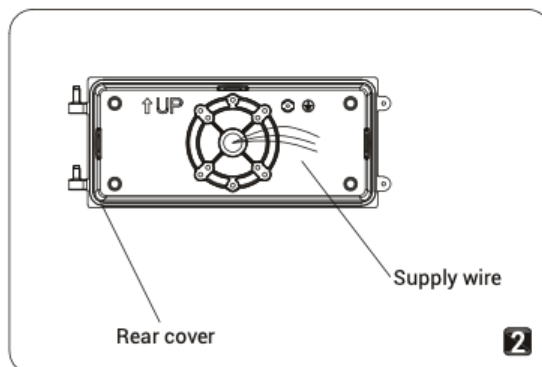
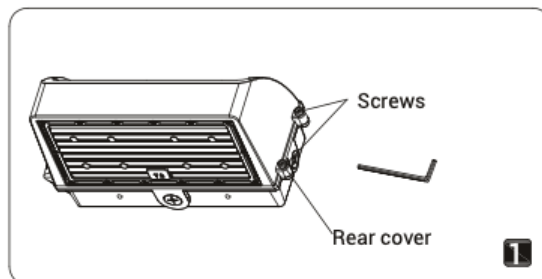
READ AND FOLLOW ALL SAFETY INSTRUCTIONS

1. To reduce the risk of electrical shock, turn off the power supply before installation or servicing.
2. This luminaire must be installed in accordance with the NEC or your requirements, consult a qualified electrician.
3. If NEMA photo control is installed refer to NEMA receptacle section for instructions.
4. Verify the availability of necessary tools and incidental material.
5. The fixture is not allowed to disassemble the structure or components.



25W/50W/75W/100W

TO INSTALL



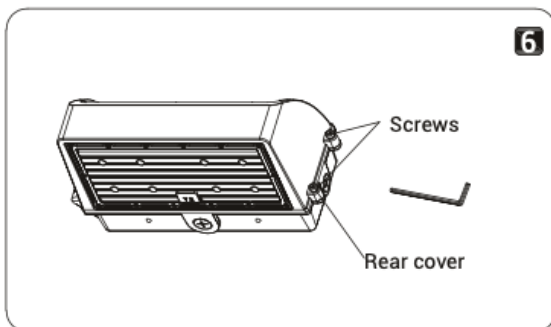
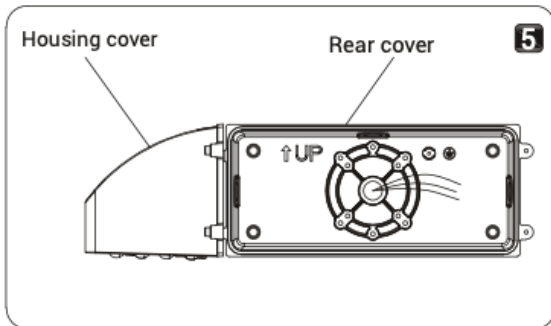
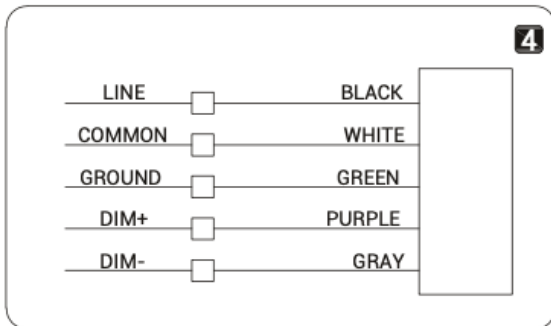
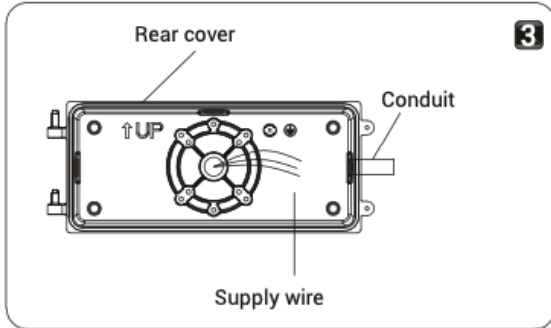
LUMINAIRE INSTALLATION

STEP 1 (Figure 1):
Remove two screws, remove the rear cover of the luminaire and pull the connector.

STEP 2-1 (Onto a recessed 4" rectangular/octagonal J-Box) (Figure 2):

1. Verify that supply power is off and that the J-Box is securely mounted within the structural surface.
2. Remove both J-Box fasteners from j-box (set aside for re-installation as needed)
3. Drill holes as J-Box required on the rear cover.
4. Position rear cover over J-Box feeding supply wires through the center of the rear cover and slit in gasket. Replace fasteners from step 2 (do not fully tighten).
5. Using a contractor level, ensure rear cover is level and fully tighten fasteners (Use washers as required to ensure a secure fit).

TO INSTALL



LUMINAIRE INSTALLATION

STEP 2-2(Conduit-stub up) (Figure 3):

1. Drill holes on the rear cover as auxiliary mounting holes.
2. Verify that supply power is off. Using a contractor level, ensure rear cover is level and mark mounting surface thru selected auxiliary mounting holes.
3. Drill holes as marked in step 1 and install appropriate mounting inserts capable of handling fixture load requirements.
4. Feed supply wires through the center of the rear cover and slit in gasket.
5. Ensure rear cover is level. Fully tighten fasteners (use washers as required to ensure a secure fit).

STEP 2-3(Conduit-surface) (Figure 3):

1. Drill holes on the rear cover as auxiliary mounting holes.
2. Verify that supply power is off. Using a contractor level, ensure rear cover is level and mark mounting surface through selected auxiliary mounting holes.
3. Drill holes as marked in step 1 and install appropriate mounting inserts capable of handling fixture load requirements.
4. Ensure rear cover is level. Fully tighten fasteners (use washers as required to ensure a secure fit).
5. Attach ½"NPT conduit fittings using the appropriate EMT rain tight compression connections(not provided) onto the factory machined conduit entry opening.

STEP 3(Figure 4):

Make supply wire (power and dimming) to fixture wire connections as required through splice access. The voltage driver permits operation at AC120-277V, AC120-347V, AC200-480V, 50 or 60 Hz. 0-10V control wires must be rated for 300V minimum, for 0-10V Dimming. Follow the wiring directions as shown in figure below.

STEP 4(Figure 5):

Fixture slightly upward, align fixture housing indicators with rear cover hooks and slip fixture back onto hooks and insert the connector.

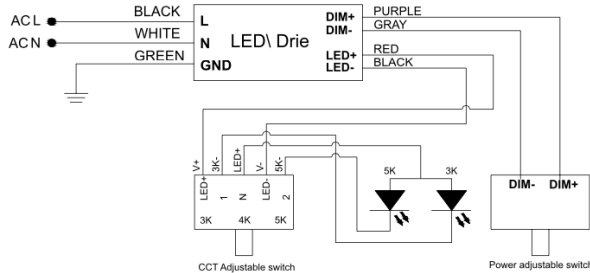
STEP 5(Figure 6):

Close the housing indicators to the rear cover and fully tighten fasteners. The bottom shell is sprayed with glue and tightly sealed to the wall.

Trouble shooting: If this fixture fails to operate properly, check to make sure: The fixture is wired correctly. The fixture is grounded correctly. The line voltage at the fixture is correct. If all these variables have been checked and the fixture still does not operate as specified, contact your local distributor.

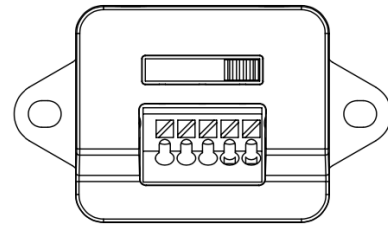
FIXTURE SPECIFICATIONS

Wiring Diagram:

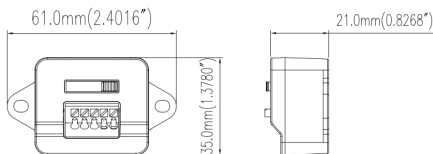


POWER ADJUSTABLE SWITCH CCT ADJUSTABLE SWITCH

SETTING INSTRUCTION



POWER ADJUSTABLE SWITCH SETTING INSTRUCTION



Introduction:

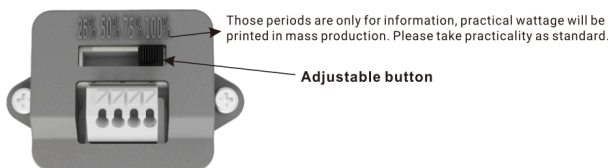
Power adjustable switch is a manually adjustable switch for adjusting the power (wattage) based on people's needs on daily life, which have 4 adjustable periods (100%, 75%, 50%, 20%) and those periods are only for information, take practicality as standard. we mold the switch independently and well-design to saving energy and green life with adjusting appropriate power. It is convenient for lowering inventory risk.
Note: Sold separately, Factory default setting: 100%.

Specifications:

Adjustable period:	100%, 75%, 50%, 25% Those periods are only FYI, take practicality as standard.
Electrical Life:	2,000 cycles typical
Insulation Resistance:	> 100MΩ min
Operating temperature:	-22°F-158°F (-30°C ~ +70°C)
Storage temperature:	-40°F-185°F (-40°C ~ +85°C)

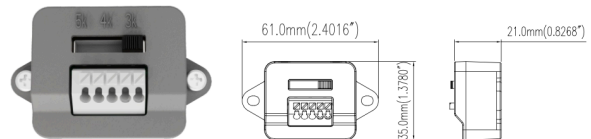
Power Adjustable Switch Setting Instruction:

- Loosen screws and open the door to setting area.
- Turn left or right "Adjustable button" to get required wattage. (See below picture)



- Make sure that wires are not pinched, the door gasket did not move from original position, and sits in its groove on door properly, reinstall the door, tighten the screws.
- Notes: All wire connection has to be operate by professional electricians.
- Pictures are only for information, take practicality as standard.

CCT ADJUSTABLE SWITCH SETTING INSTRUCTION



Introduction:

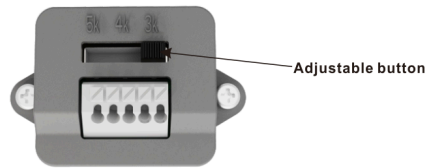
CCT adjustable switch is a manually adjustable switch for adjusting the color temperature, which have 3 adjustable models (3000K, 4000K, 5000K). we mold CCT adjustable switch independently and well-design to help users to adjust the color temperature they want.
Note: Sold separately, Factory default setting: 5000K.

Specifications:

Adjustable model:	3000K, 4000K, 5000K
Electrical Life:	2,000 cycles typical
Insulation Resistance:	> 100MΩ min
Operating temperature:	-22°F-158°F (-30°C ~ +70°C)
Storage temperature:	-40°F-185°F (-40°C ~ +85°C)

CCT Adjustable Switch Setting Instruction:

- Loosen screws and open the door to setting area.
- Turn left or right "Adjustable button" to get required CCT.



- Make sure that wires are not pinched, the door gasket did not move from original position, and sits in its groove on door properly, reinstall the door, tighten the screws.
- Notes: All wire connection has to be operate by professional electricians.
- Pictures are only for information, take practicality as standard.