

FEATURES & SPECIFICATIONS

INTENDED USE

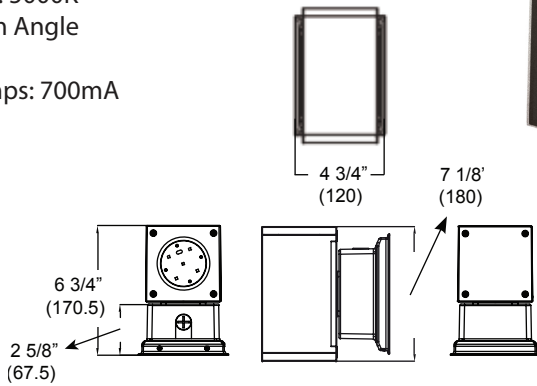
The 11125 Modern Wall Pack LED is a high performance fixture offering both durability and style. Made of die-cast aluminum, the 11125 Modern LED is UL/cUL Listed and is suitable for wet location. Use on factories, warehouses, self storage, commercial buildings, entrances and walkways.

SIZE

W 4-3/4" x H 7-1/8" x D 6-3/4"

ADDITIONAL FEATURES

- Die-cast aluminum housing with rubber gasket on back plate
- Operating temperatures range: -20°C(-4°F) ~ 40°C(104°F)
- Suitable for Wet Location
- 12W Downlight LED option: Cree LED Chip, 5 or 8 LEDs, 950 lum
- 26W Up-Downlight LED option: Cree LED Chip, 10 LEDs, 1570 lum
- Color Temperature: 5000K
- CRI: 70+, 140° Beam Angle
- 50,000 hours
- Output Current Amps: 700mA
- 120-277V, 50/60Hz



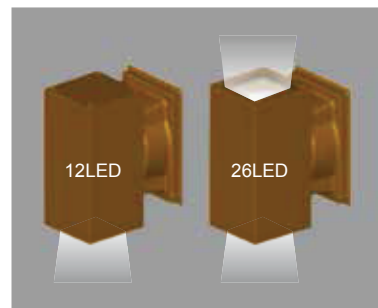
Listings:



Ordering Information:

Example: (11125-12-BZ)

Model	Wattage/Distribution	Finish
11125	12 12W Downlight 950 Lumen	BZ Dark Bronze (std.)
	26 26W Up-Downlight 1570 Lumen	WH White
		BK Black



11125 Modern Wall Pack LED - Wet Location (Downlight or Up/Downlight)