



INSTALLATION INSTRUCTIONS

2845 S. Robertson Blvd., Los Angeles, CA 90034
Tel: (877) 733-5236



**READ AND FOLLOW ALL SAFTY INSTRUCTIONS
PLEASE SAVE THESE INSTRUCTIONS AFTER INSTALLATION**



- WARNING -

To reduce the risk of death, electric shock, injury, property damage from fire, falling parts, and other hazards:

- Service of the equipment must be performed by qualified service personnel.
- Installation must be performed by a person familiar with the construction and operation of this product for any hazards involved.
- Read this document before installing, or maintaining this item or installing a lamp. These instructions do not cover all installation, or maintenance situations. If your situation is not covered, or if you do not understand these instructions or need additional information, please contact Alcon Lighting for assistance.
- Read and follow all warnings and instructions provided by the lamp manufacturer.

- WARNING -

Before installing, or maintaining this item, follow these general precautions. To reduce the risk of electrocution:

- Make sure the equipment is properly on the ground.
- Always de-energize the circuit and/or item before connecting to, or disconnecting from the item.

To prevent fixture row from over-current:

- By adding the input current of each fixture section marked on the fixture, the total current per power feed must not exceed the maximum line wire amperage marked on the fixture and the power feed cord/wire amperage rating whichever the least.

To reduce the risk of fire:

- Keep any material away that can burn from hot lamp.
- Make sure lamps are correctly installed.
- Use supply conductors with a minimum installation temperature rating as specified on item.

To reduce the risk of personal injury from cuts, abrasions, or falling parts:

- Wear gloves to prevent cuts or abrasion from sharp edges when removing from carton, handling and maintaining this item.
- Do not use abrasive materials, glass cleaners or other solvents on reflectors or lens. These substances may cause damaged to the items.
- Do not install a damaged fixture.

- CAUTION -

Observe lamp manufacturer's recommendations and restrictions on lamp operation, including but no limited to ballast type, burning position, replacement and cycling. Use only lamps that comply with applicable ANSI standards.

NOTE: If lamp is marked (Hg) it contains mercury. Follow disposal laws. See www.lamprecycle.org

These installation instructions are used for installing following fixtures:

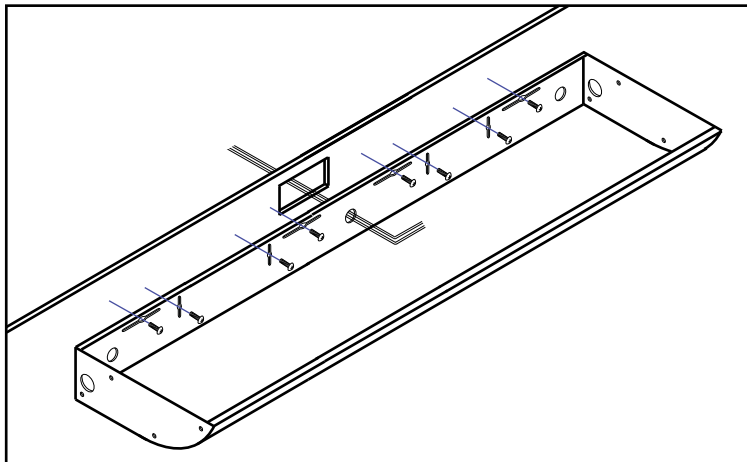
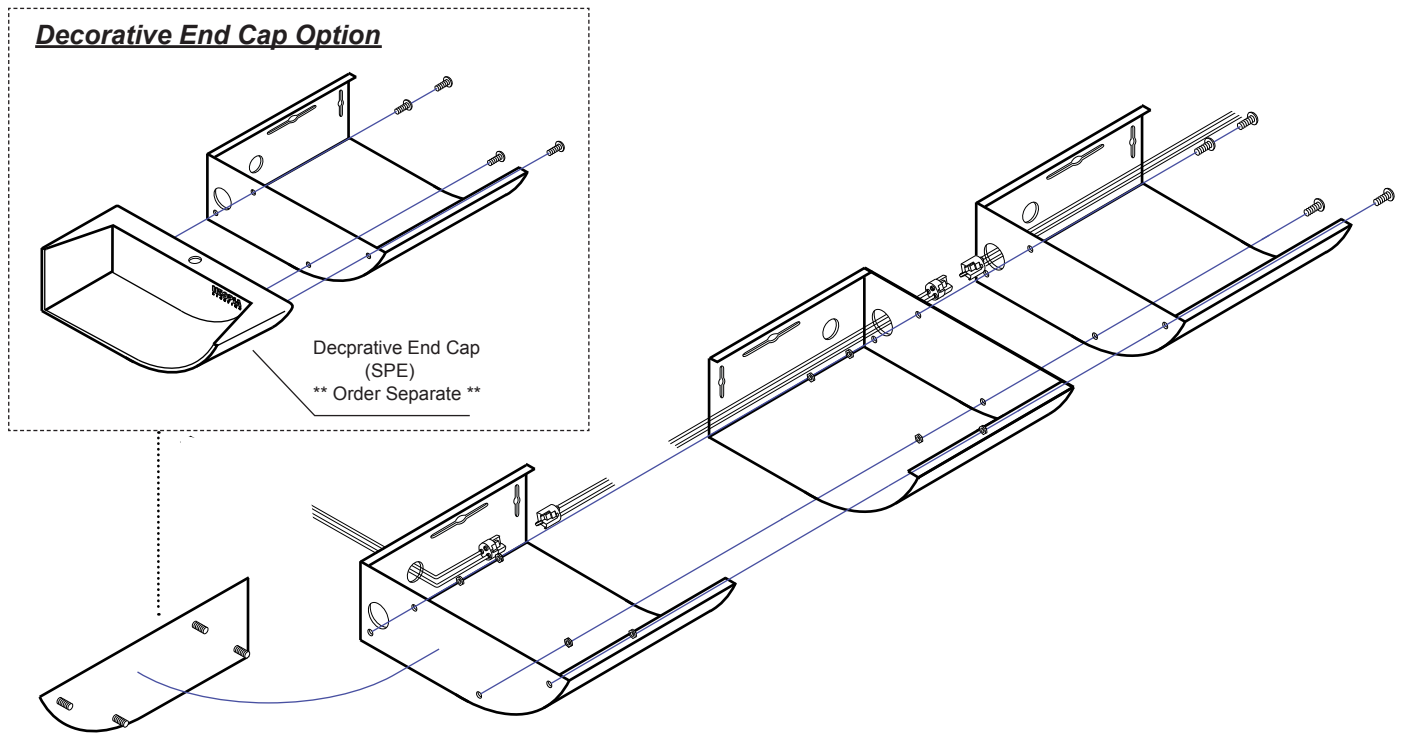
11112	11113
--------------	--------------

WARNING: Risk of fire and electrical shock. This product must be installed in accordance with the applicable installation code by a person familiar with the construction and operation of the production and the hazards involved.

- A) Wall Mounting and Fixture Joining
- B) Fixture with Tenon Installation

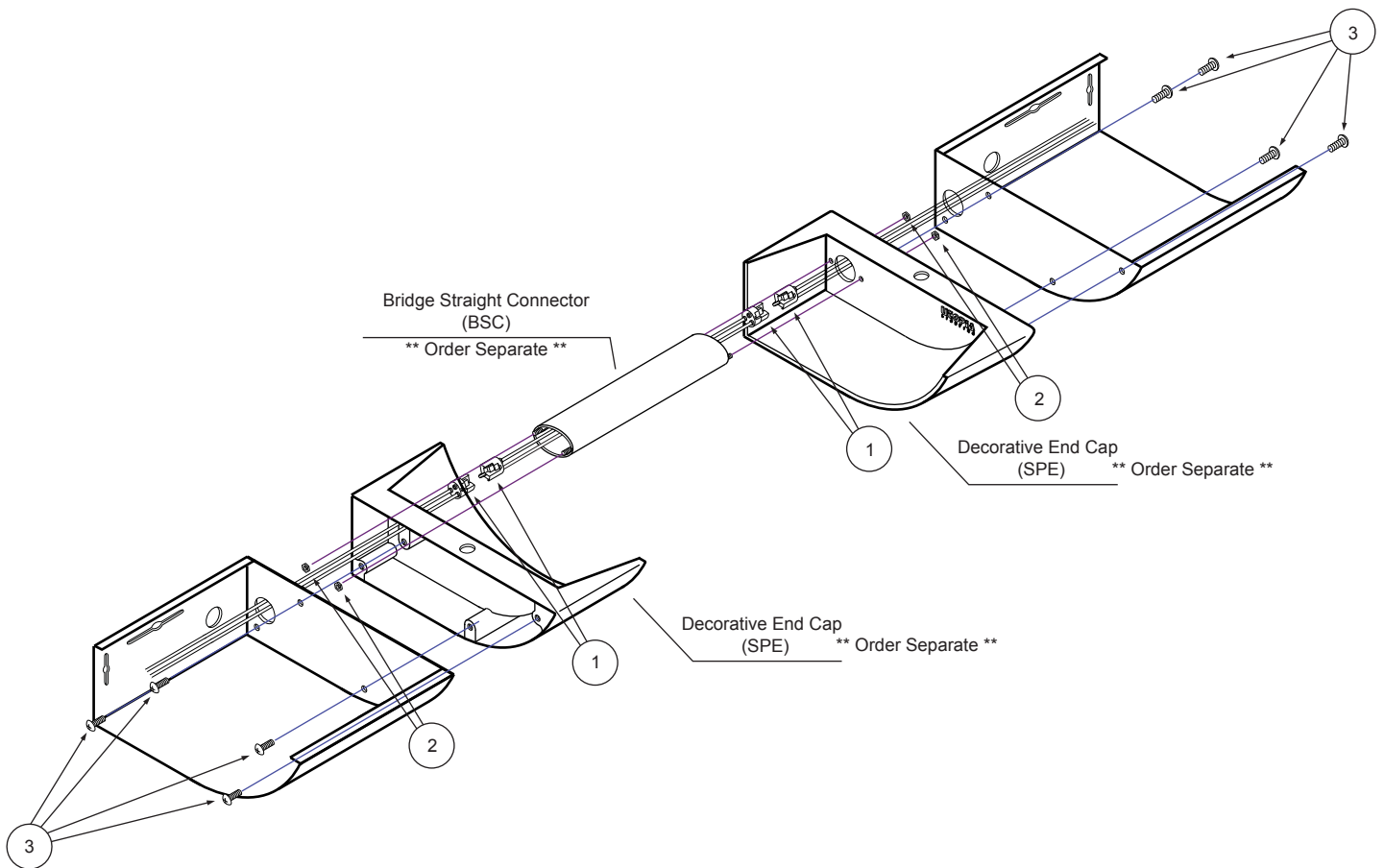
page 3
page 4

A) Wall Mounting and Fixture Joining



- 1) Cut a rectangular window in the wall.
- 2) Insert building power wire through the fixture.
- 3) Screw the fixture to wall as shown.

B) Fixture with Tenon Installation



- 1) Connect the male and female quick wire connectors, then put connector into the bridge straight connector.
- 2) Connect bridge straight connector to spade end cap, then screw nut and tighten it.
- 3) Bolt fixture together. Be sure to align and level the fixture for a straight row.