

11109-09 INSTALLATION INSTRUCTIONS



STOP! - READ THIS FIRST! - IMPORTANT SAFETY INSTRUCTIONS!

- For information on how to recycle LED/Fluorescent electronic products, please visit www.epa.gov.
- Do not install damaged product. This fixture is properly packed to prevent damage during transit.
- All wiring connections should be capped with UL approved recognized wire connectors.
- Do not touch LED diodes or any connecting clips; these parts are very sensitive.
- Do not exceed maximum wattage marked on fixture label.

Carefully read the instructions pertaining to your fixture thoroughly. IF YOU HAVE ANY QUESTIONS REGARDING THE PROPER INSTALLATION OR LOCAL CODES, CONSULT A QUALIFIED ELECTRICIAN.	Injury to persons and damage to the fixture and/or mounting surface may occur if the fixture is pulled from the surface. To reduce risk of injury or damage, mount only to a mechanically sound surface.
Both cord set and hard wired fixtures are intended for connection to a grounded, three-wire source of supply.	Install and wire the fixture in locations in accordance with all national, state and local codes.
Do not install outdoors or in applications other than intended use.	To avoid shock hazard, do not work with live electrical wires.
Ensure fixture is properly grounded before testing.	This fixture is intended for dry applications only.



WARNING: THIS PRODUCT MUST BE INSTALLED IN ACCORDANCE WITH THE APPLICABLE INSTALLATION CODE BY A PERSON FAMILIAR WITH THE CONSTRUCTIONS AND OPERATIONS OF THE PRODUCT AND THE HAZARDS INVOLVED.



WARNING: RISK OF FIRE; MINIMUM OF 90°C SUPPLY CONDUCTOR SHOULD BE USED. CONSULT A QUALIFIED ELECTRICIAN TO ENSURE CORRECT BRANCH CIRCUIT CONDUCTOR.




WARNING: TO AVOID ELECTRIC SHOCK HAZARD, DISCONNECT THE POWER AT THE PANEL BOARD (CIRCUIT BREAKER BOX) BEFORE BEGINNING INSTALLATION.



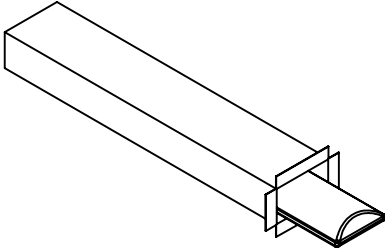
WARNING: TO AVOID FIRE HAZARD RISK, WHEN INSTALLING HARD WIRED UNITS, BE AWARE IF SUPPLY WIRES ARE LOCATED WITHIN THREE INCHES OF BALLAST. IF SO, USE WIRE RATED FOR AT LEAST 90°C (194°F). IF UNSURE, CONSULT A QUALIFIED ELECTRICIAN BEFORE INSTALLING.

1



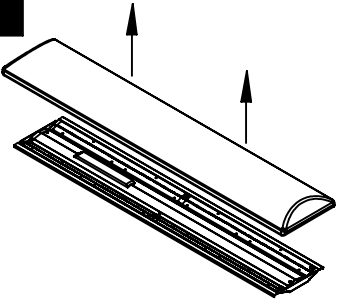
REMINDER: TO AVOID ELECTRIC SHOCK HAZARD, DISCONNECT THE POWER AT THE PANEL BOARD (CIRCUIT BOX) BEFORE BEGINNING INSTALLATION!

2



Carefully remove fixture from packaging. Use gloves to prevent dirt and oils from transferring to the unit. Inspect the fixture for any defects before proceeding.

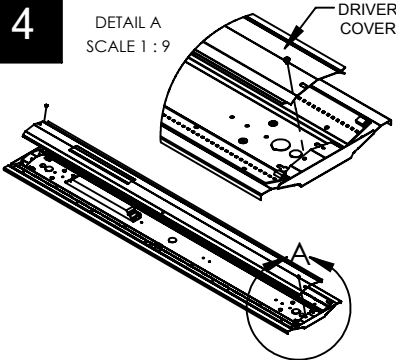
3



CAUTION: EDGES MAY BE SHARP: Carefully remove lens from fixture by gently sliding lens over the edge of the fixture one side at a time, and set aside.

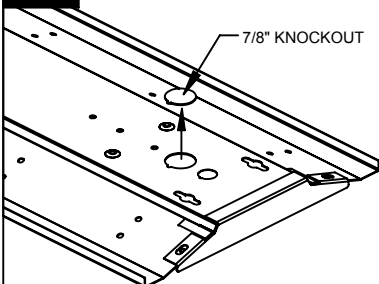
4

DETAIL A
SCALE 1 : 9



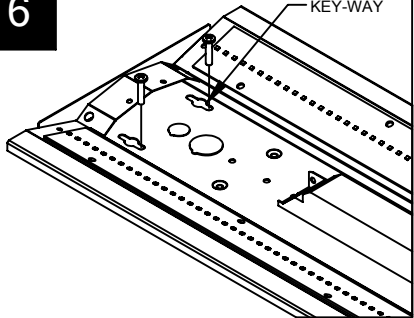
Remove driver cover by removing (2) screws. Set aside.

5



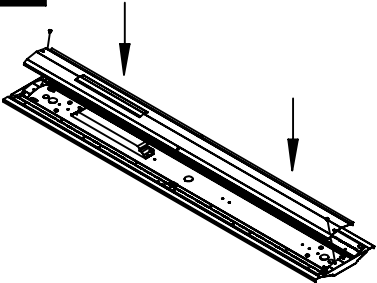
Remove 7/8" knockout from bottom of fixture in desired location to allow for wiring. Bring supply wiring thru and wire in accordance with all national, state and local codes.

6



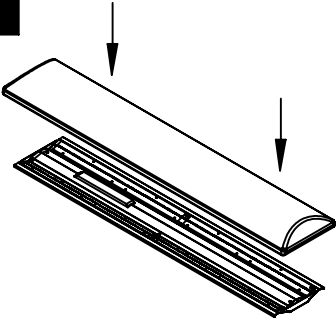
Surface mount fixture to desired location by installing appropriate hardware thru key-ways in the pan.

7



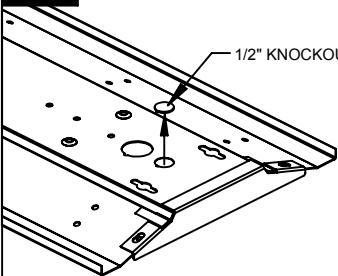
Reinstall the driver cover making sure all wiring is tucked safely under the cover. Test the fixture.

8



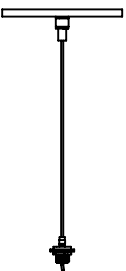
Reinstall the lens by placing the lens over the fixture on one side, then bring the lens over the opposite side.

9



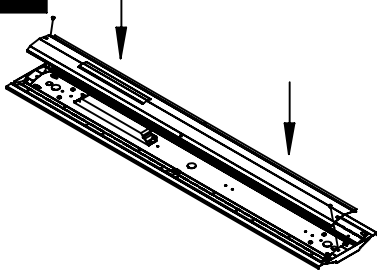
OPTIONAL-PENDANT MOUNT: Prior to Step 5, remove 1/2" knockout from both ends of fixture.

10



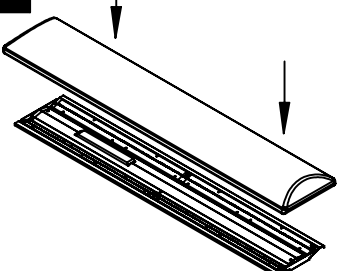
OPTIONAL-PENDANT MOUNT: Install hanging kits to each end of the fixture. See HC 301/302 instructions for details.

11



OPTIONAL-PENDANT MOUNT: Reinstall the driver cover making sure all wiring is tucked safely under the cover. Test the fixture.

12



OPTIONAL-PENDANT MOUNT: Reinstall the lens by placing the lens over the fixture on one side, then bring the lens over the opposite side.