



FEATURES & SPECIFICATIONS

INTENDED USE

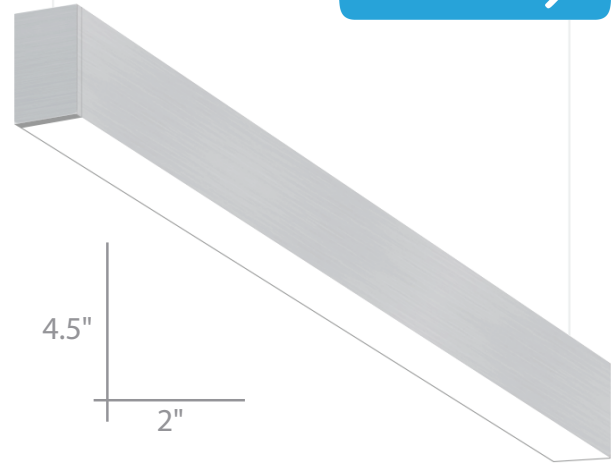
The **10101 Beam Series** architectural linear fluorescent suspension lighting fixtures bring clean lines and clear light to commercial or residential office lighting interiors. Our sleek, stylish fixtures offer highly effective and efficient lighting solutions for hotels, offices, retail outlets, restaurants, and more.

DETAILS

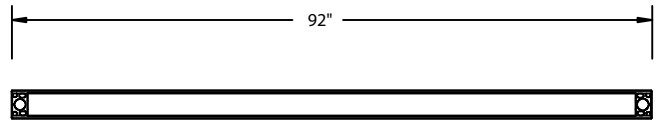
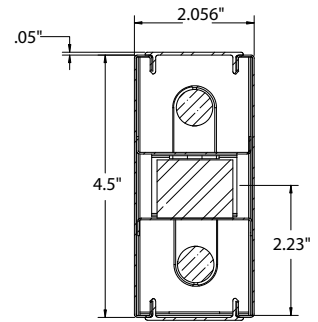
8 FT - W 2" x L 96" x H 4.5"
Lens: White

ADDITIONAL FEATURES

Voltage: 120-277
Wattage: 54W
Lamp Type: T5HO



[SHOP NOW >](#)



Ordering Information:

Example: (10101-8-U-WH-AC48WH)

Model	Length/Distribution/Lamps	Finish	Suspension	Options
10101-8	8-U 8 FT Uplight 2 Lamp 8-D 8 FT Downlight 2 Lamp 8-UD 8 FT Up/Downlight 4 Lamp	WH White BK Black SL Silver IR Iron RD Red	AC48WH 48" Adjustable Aircraft Cable (x2); 0.4" Thick 5-Conductor Power Cable (x1); 5" Round White Canopy (x2) AC48BK 48" Adjustable Aircraft Cable (x2); 0.4" Thick 5-Conductor Power Cable (x1); 5" Round Black Canopy (x2) AC96WH 96" Adjustable Aircraft Cable (x2); 0.4" Thick 5-Conductor Power Cable (x1); 5" Round White Canopy (x2) AC96BK 96" Adjustable Aircraft Cable (x2); 0.4" Thick 5-Conductor Power Cable (x1); 5" Round Black Canopy (x2) ST24WH 24" Stem (x2); 0.4" Thick 5-Conductor Power Cable (x1); 5" Round White Canopy (x2) ST24BK 24" Stem (x2); 0.4" Thick 5-Conductor Power Cable (x1); 5" Round Black Canopy (x2)	EM14 Emergency Ballast, 1400 lum AB Dual Circuit AB Switching CRWK Continuous Row Wiring Kit

Alcon Lighting 10101-8 Beam Series 8 Foot Fluorescent Suspended Pendant Direct/Indirect Light Strip