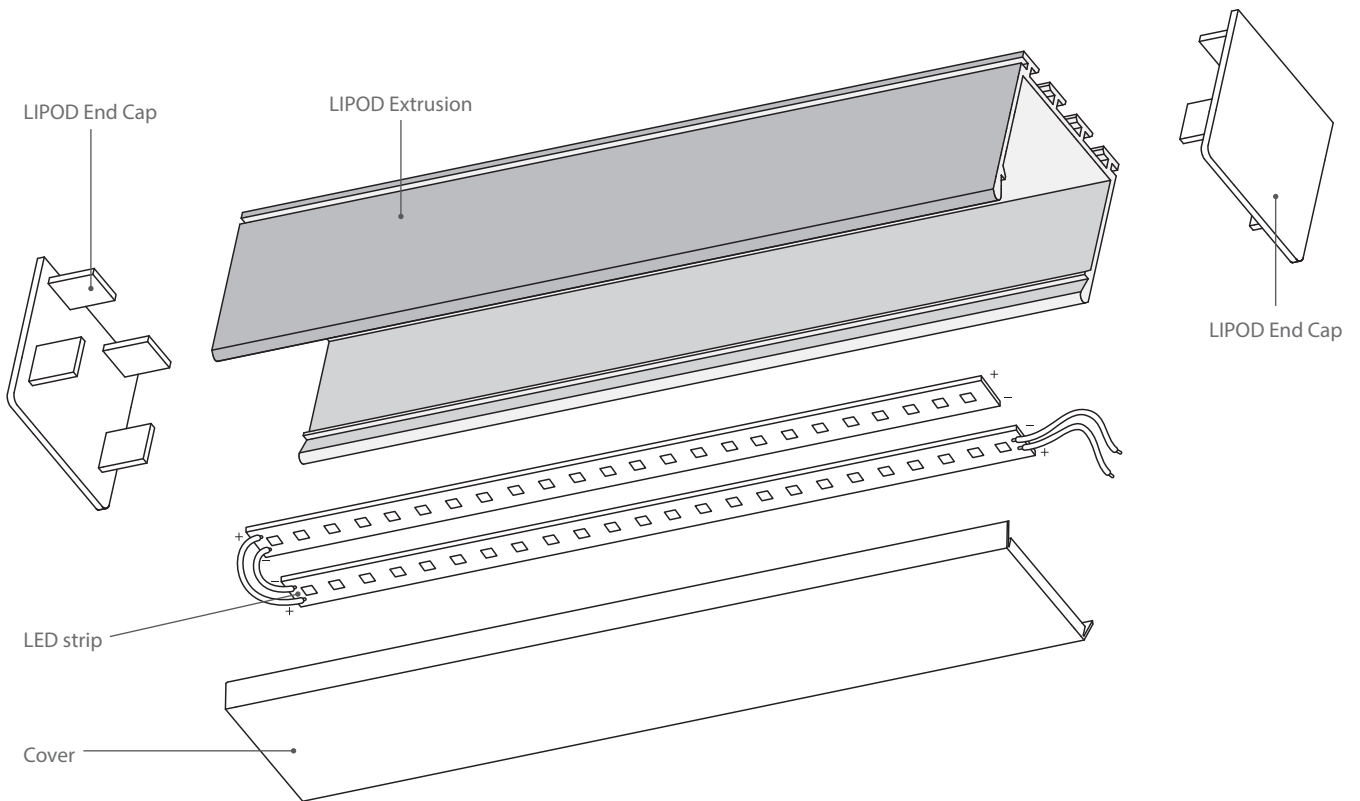
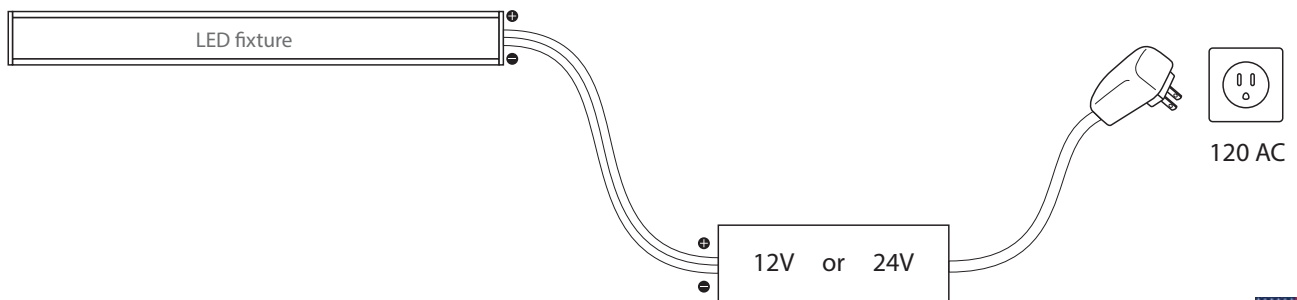




Basic fixture components



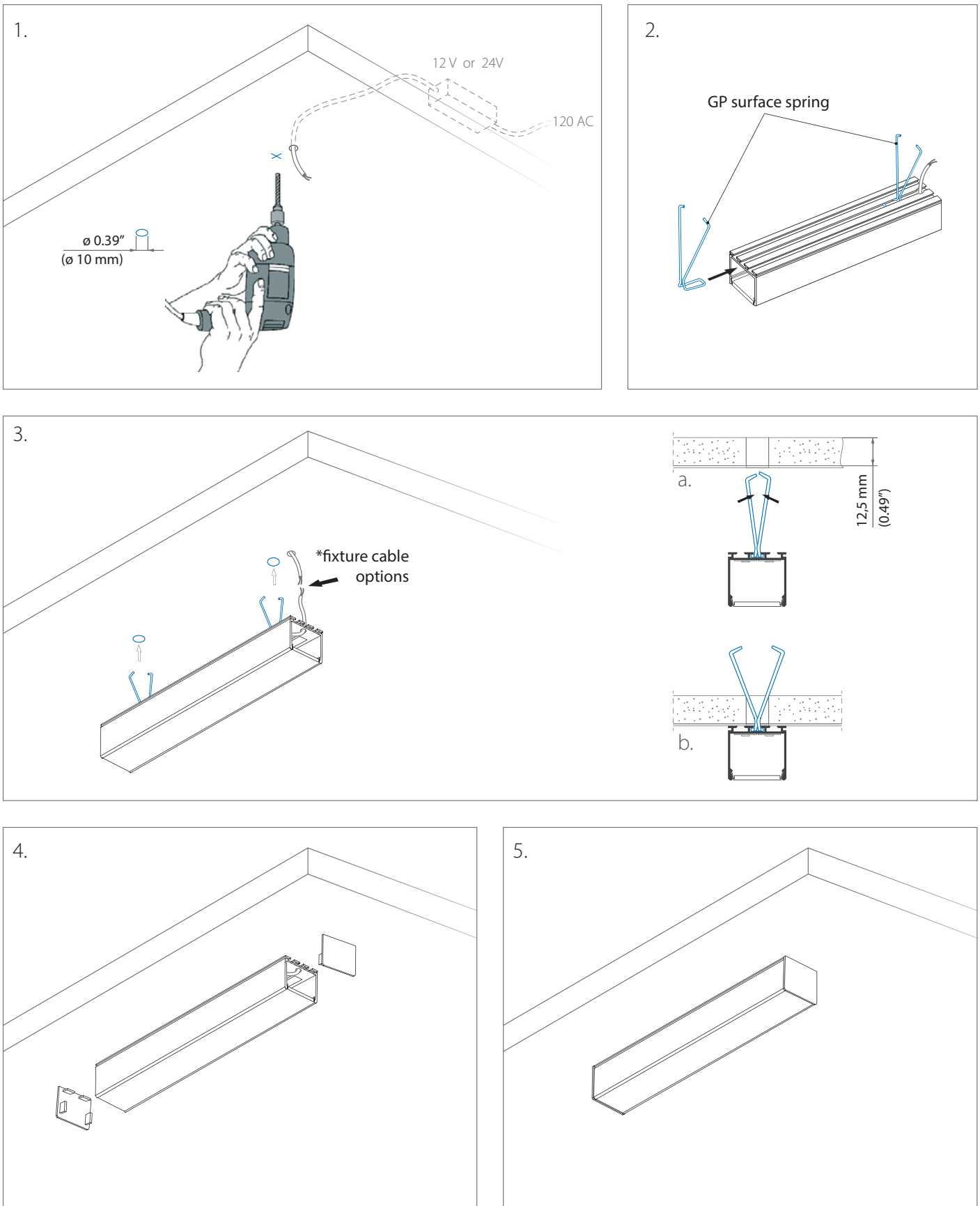
Wiring diagram



Made in USA 

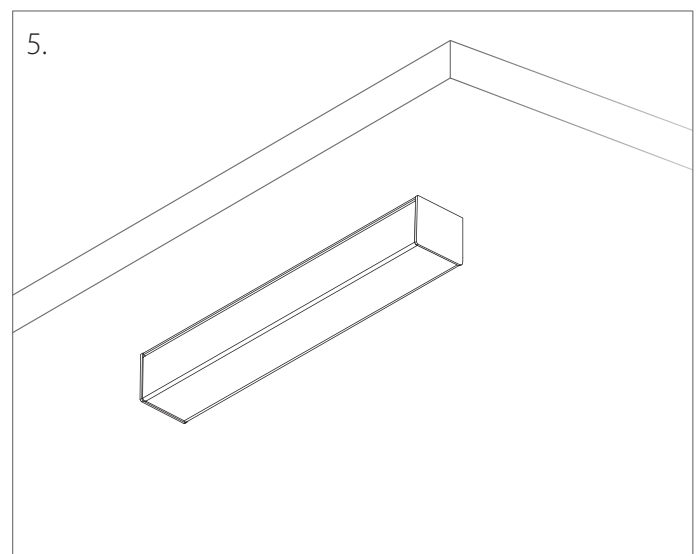
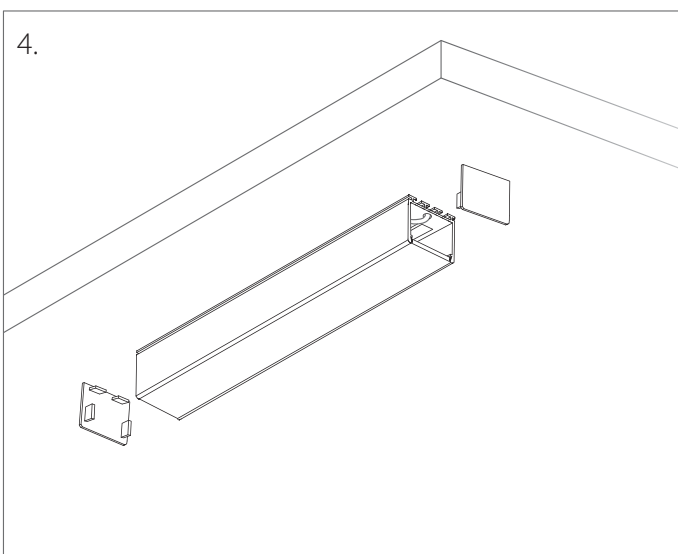
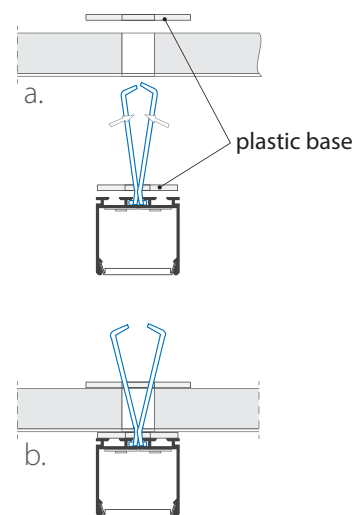
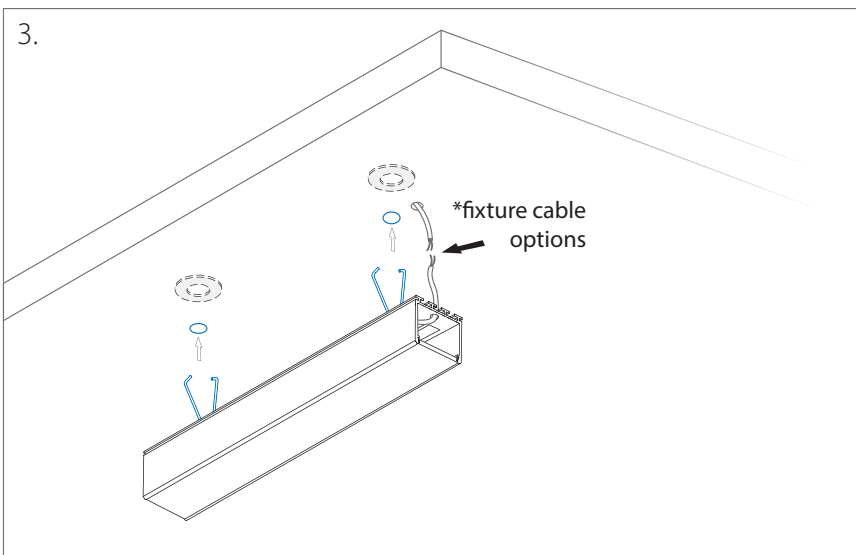
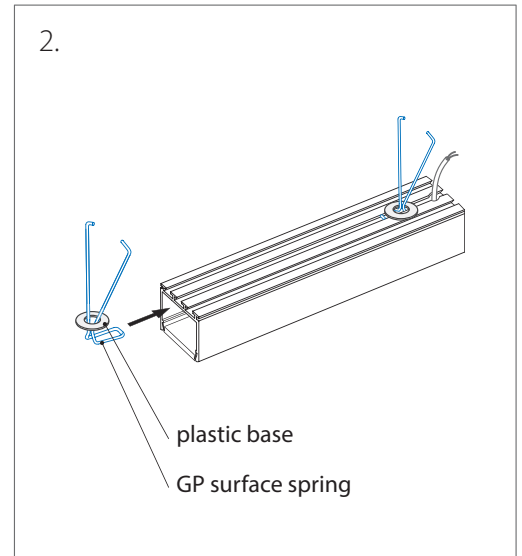
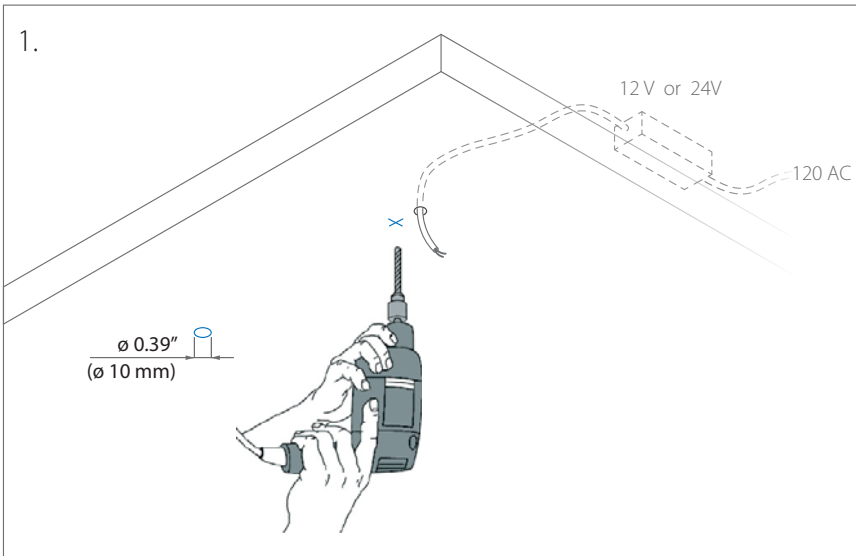
Mounting Instruction

Mounting of the LIPOD extrusion to a surface (drywall, wood etc) with the use of GP surface mounting springs.



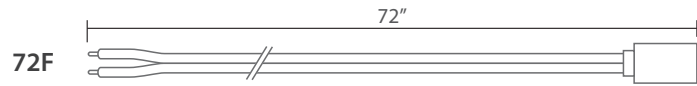
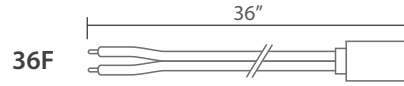
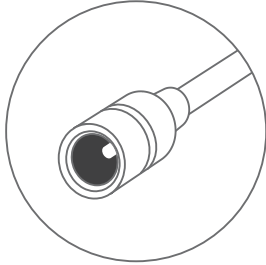
Mounting Instruction

Mounting the LIPOD extrusion to a drop ceiling with the use of GP mounting springs.

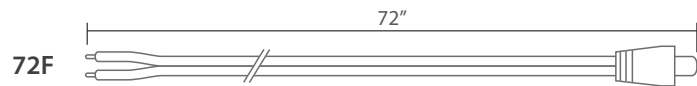
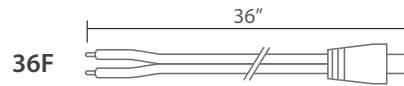
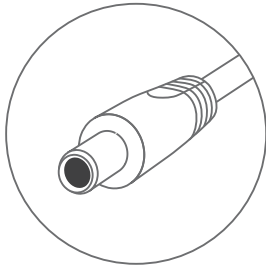


Fixture cable options

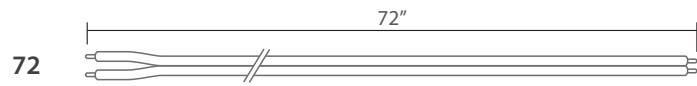
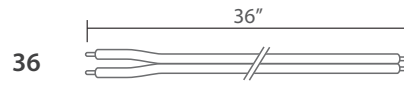
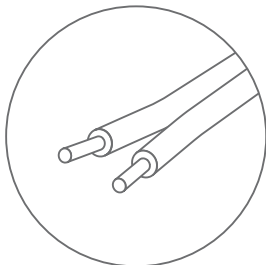
Female end



Male end



Wire end



*Examples of attaching a KLUS fixture to the power supply

