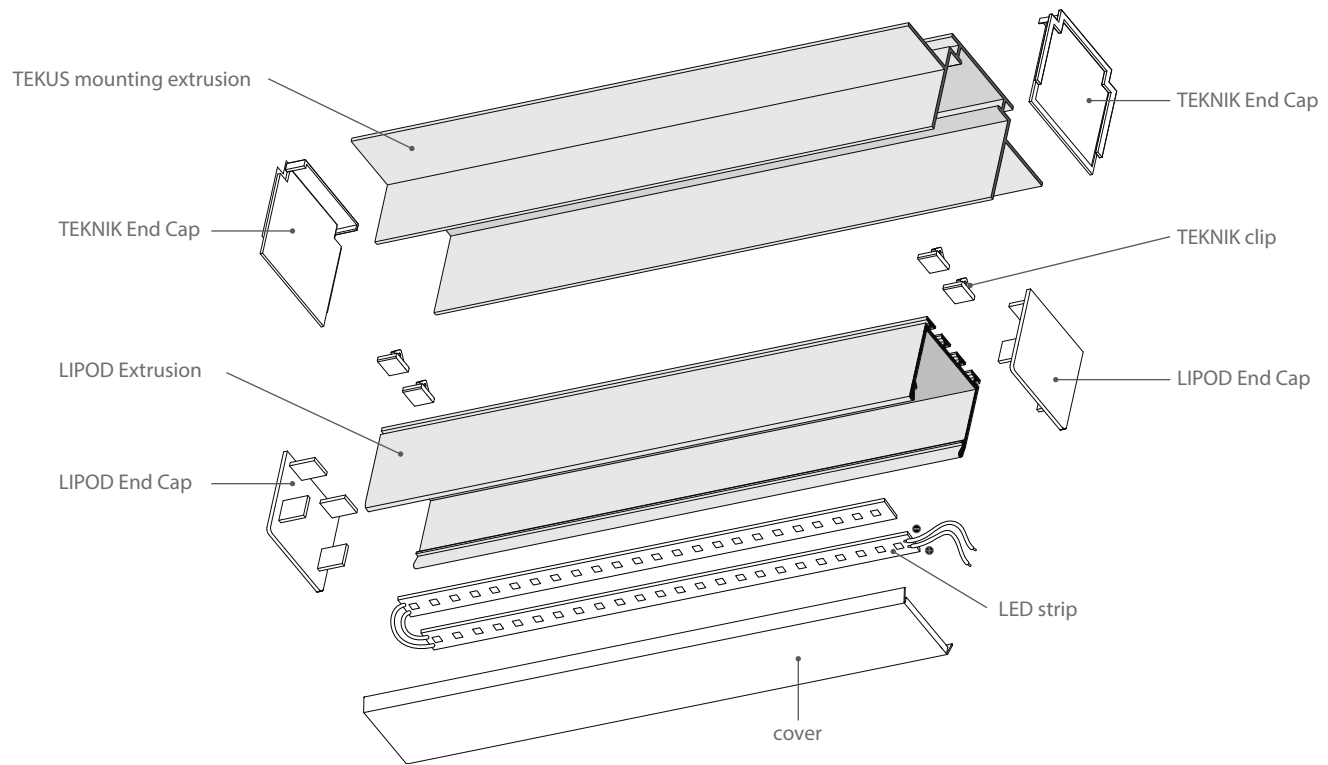
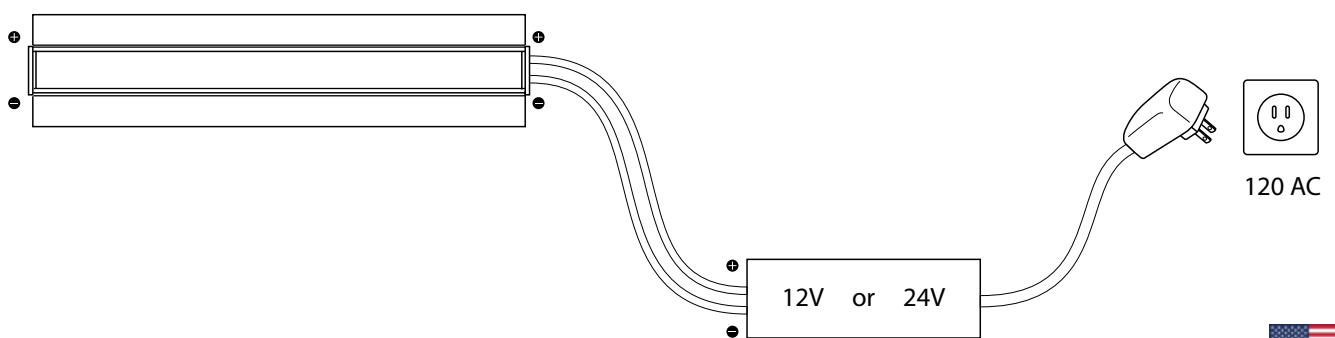


Basic fixture components

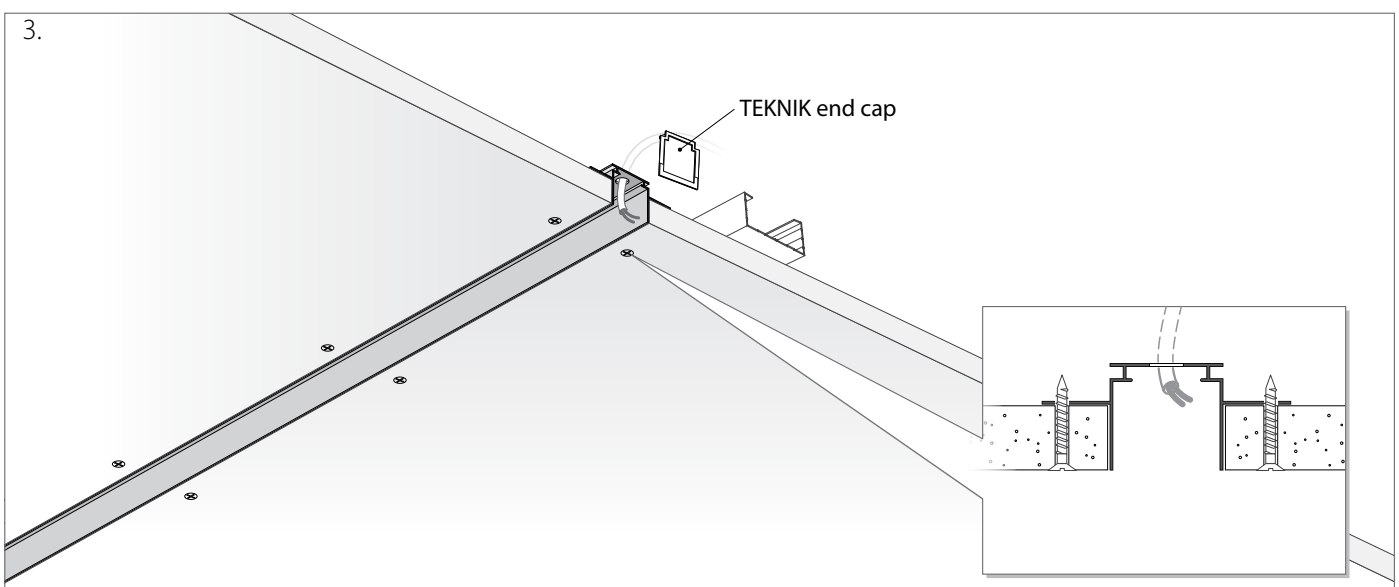
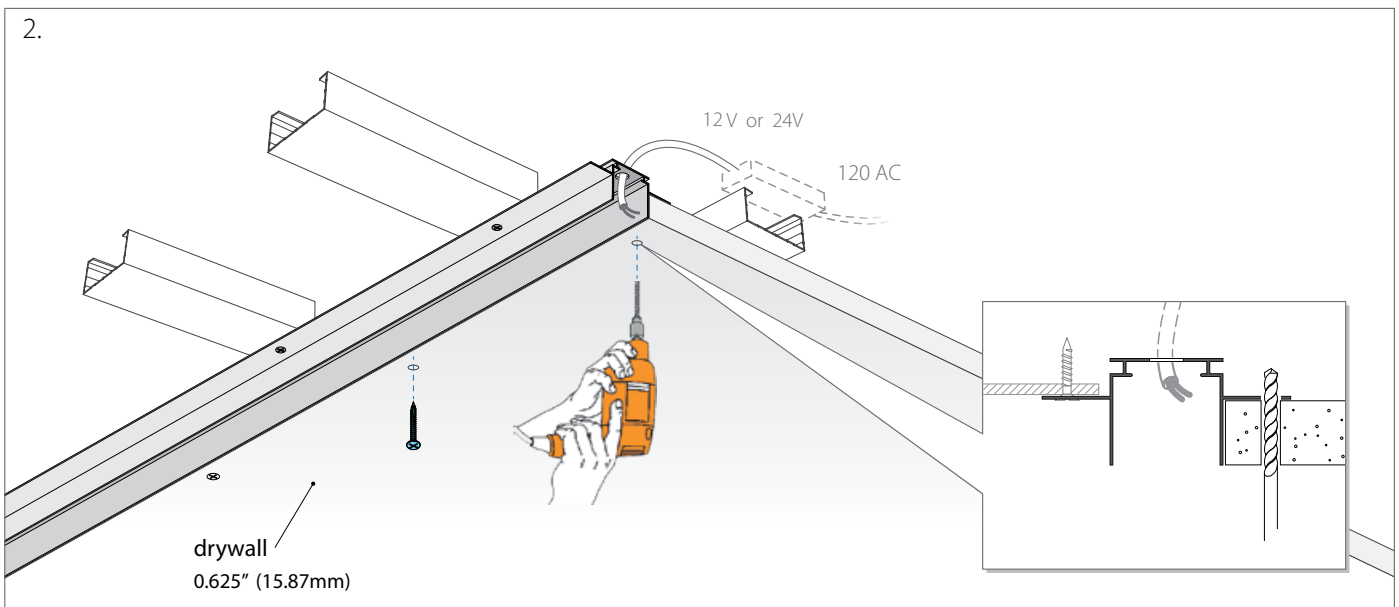
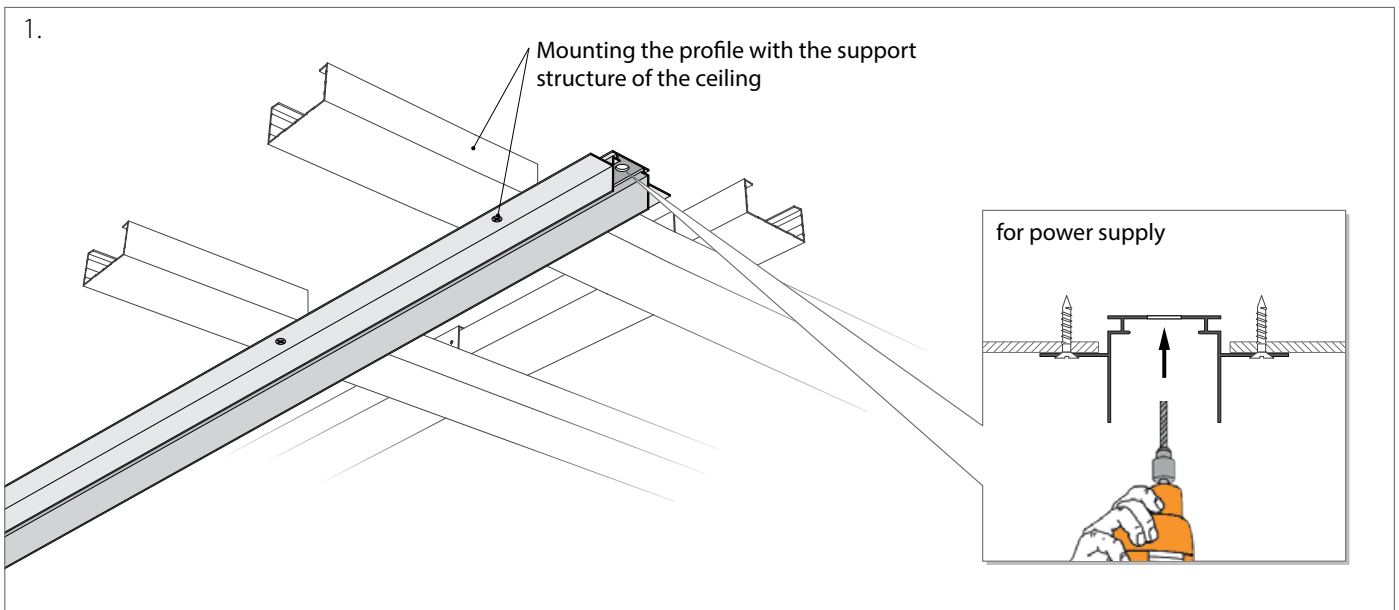


Wiring diagram

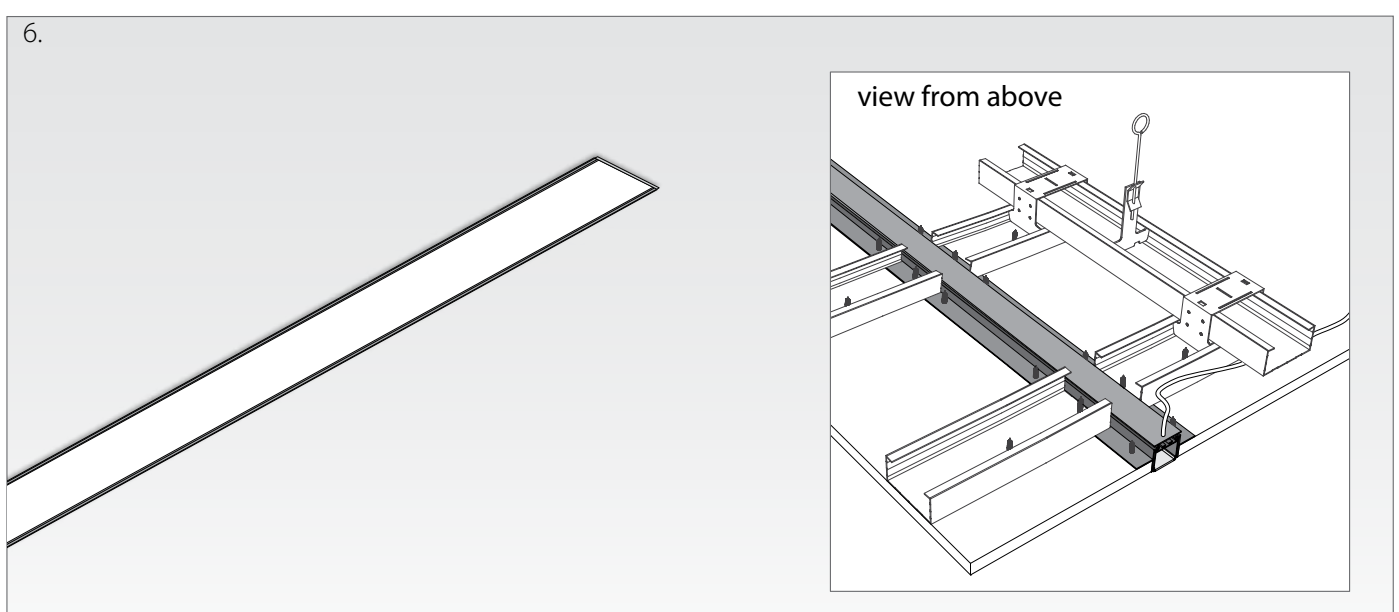
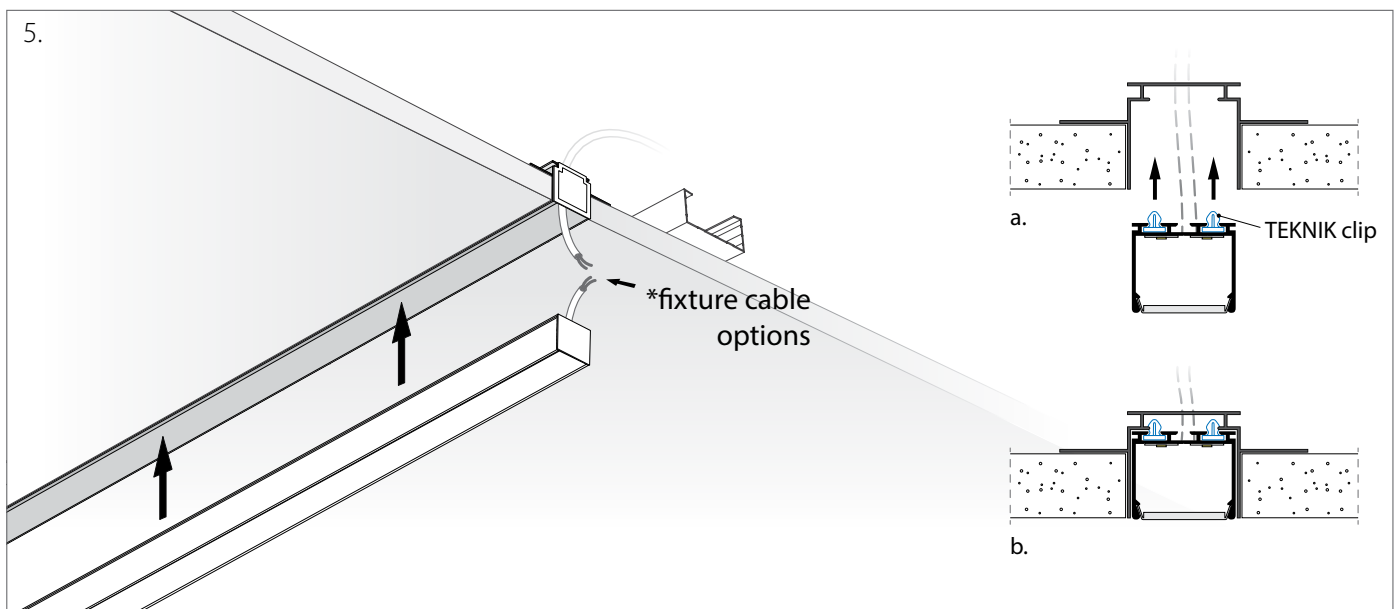
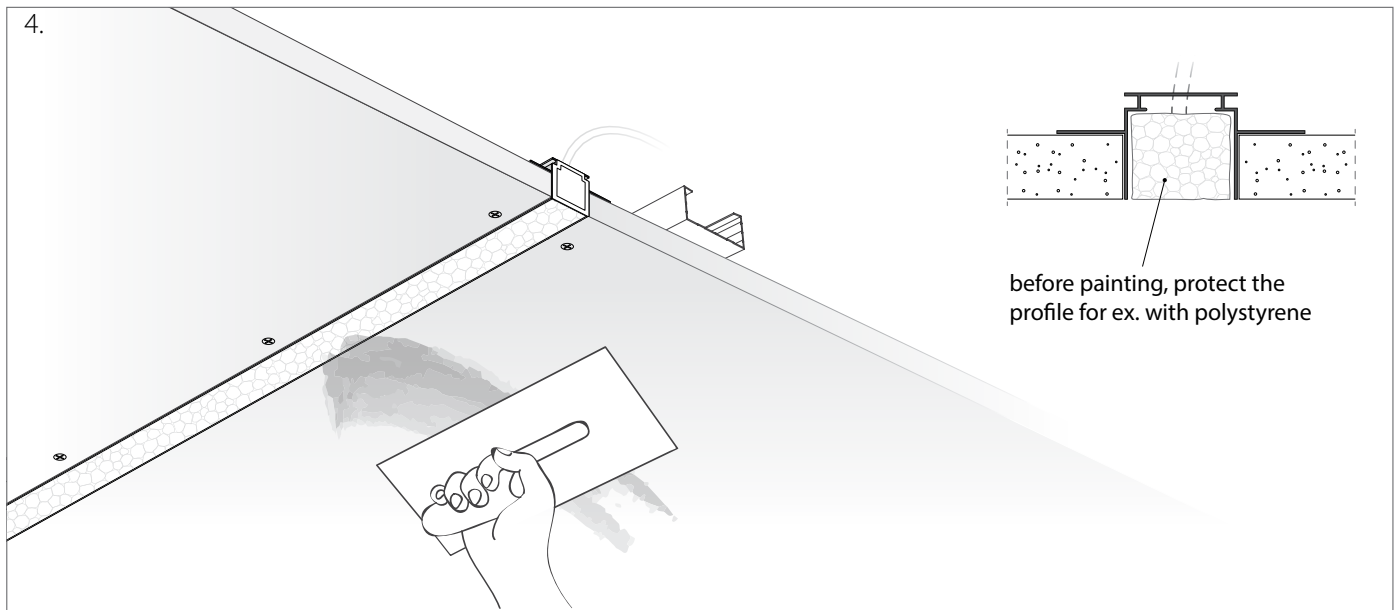


Mounting Instruction

Mounting of the LIPOD extrusion with the use of TEKUS mounting extrusion.

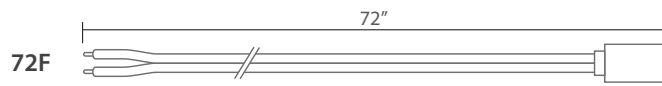
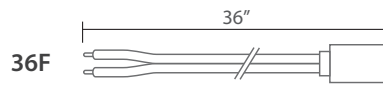
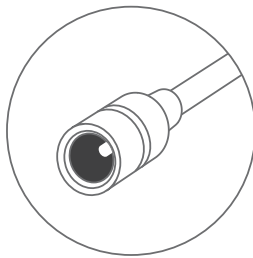


Mounting Instruction

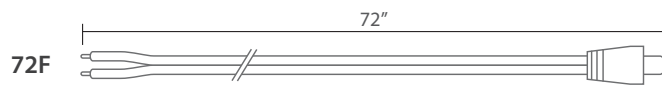
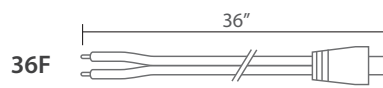
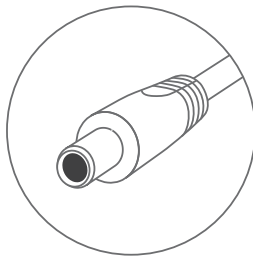


Fixture cable options

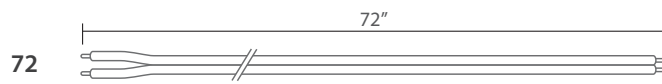
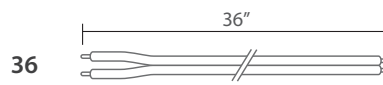
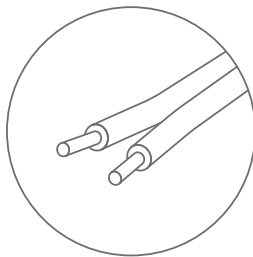
Female end



Male end



Wire end



\*Examples of attaching a KLUS fixture to the power supply

