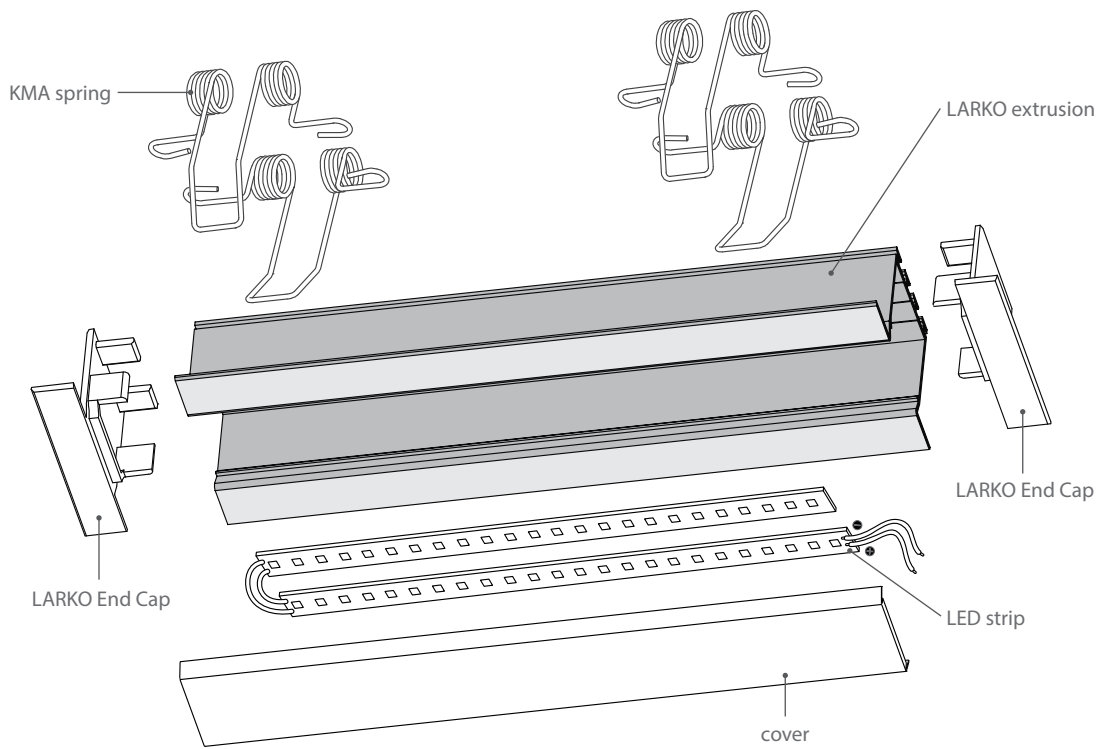
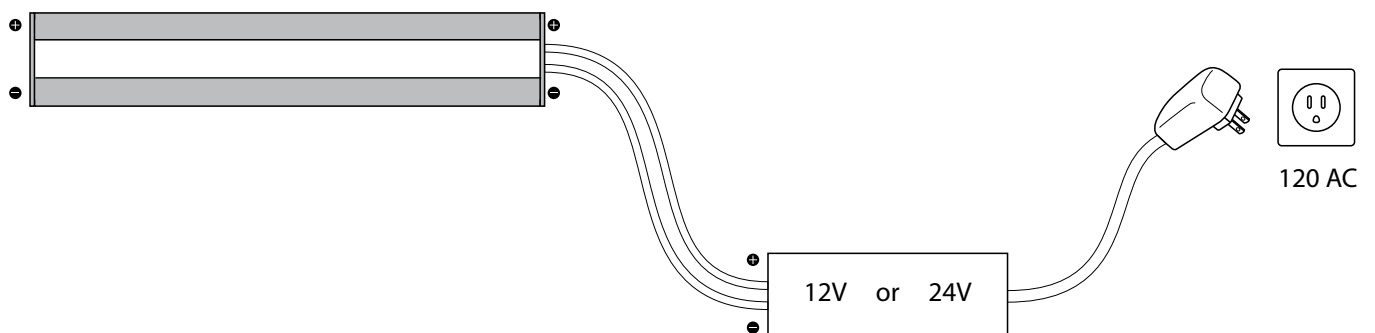


Basic fixture components

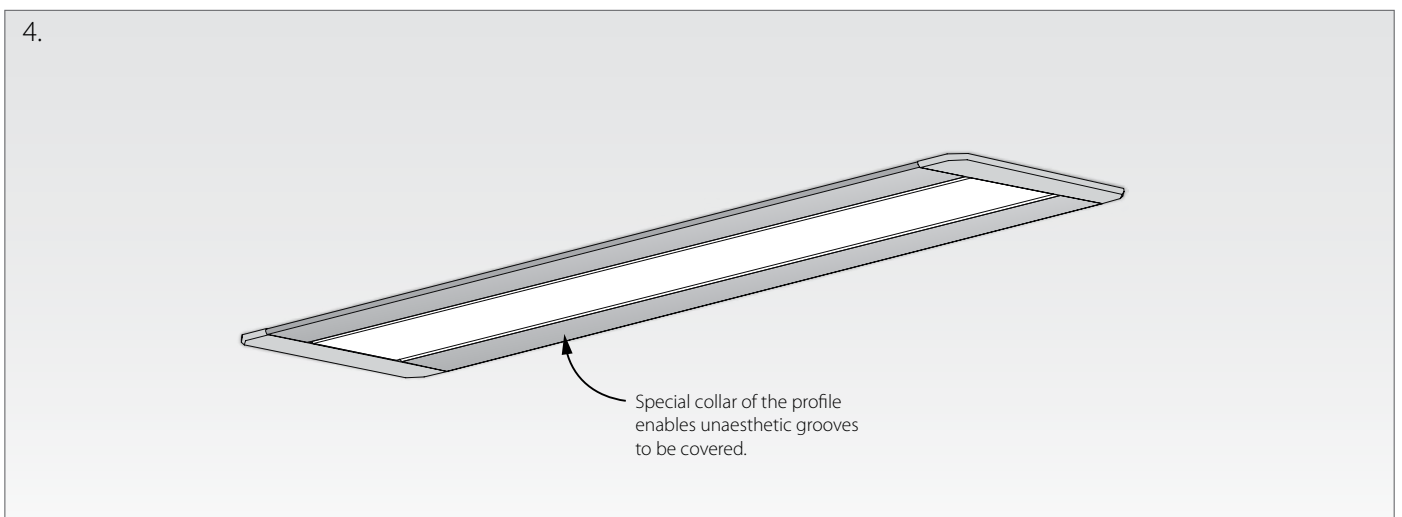
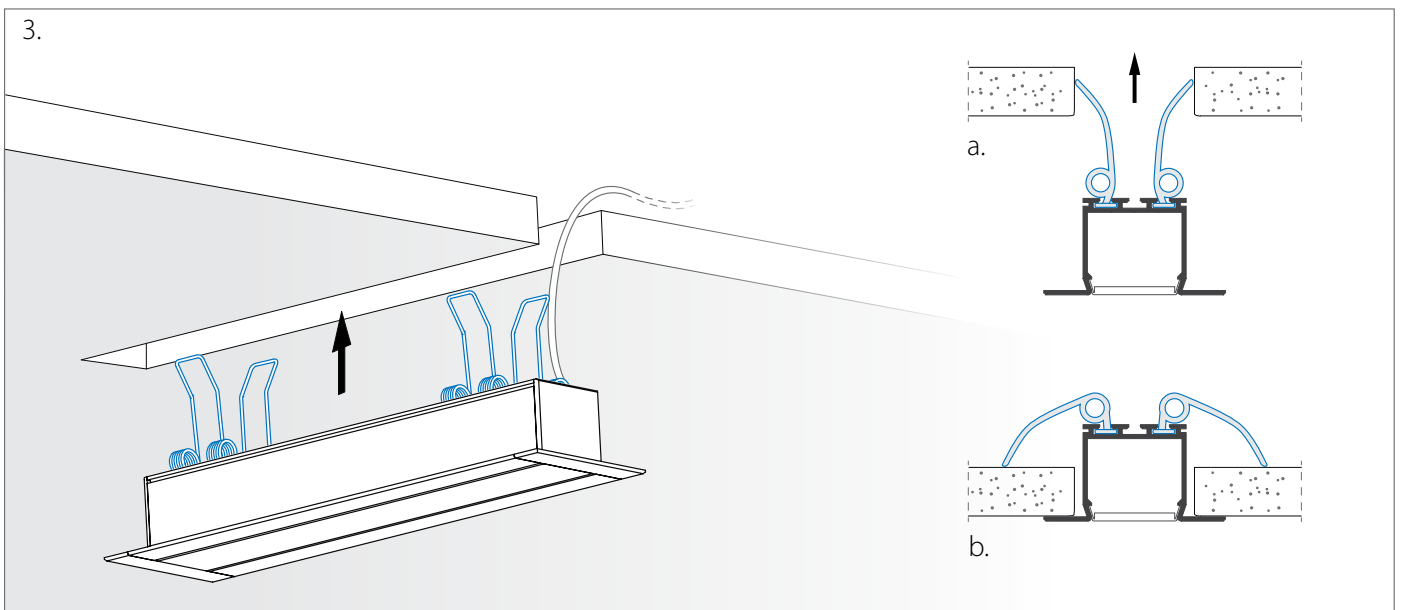
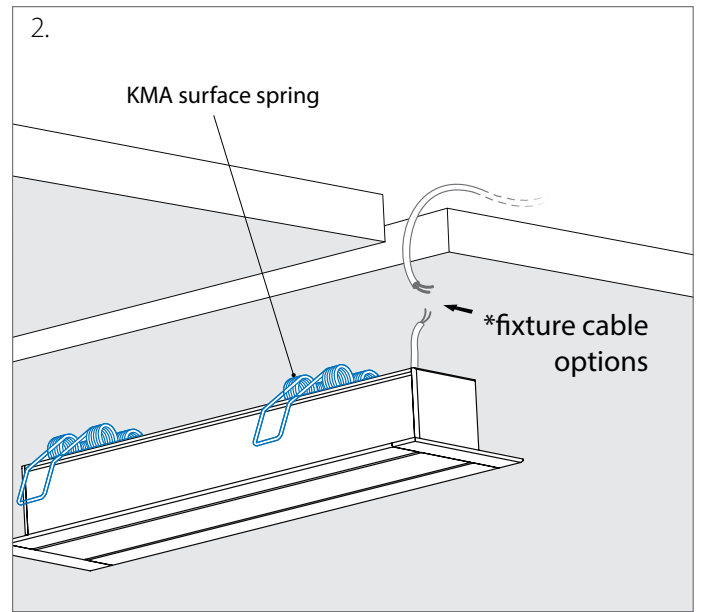
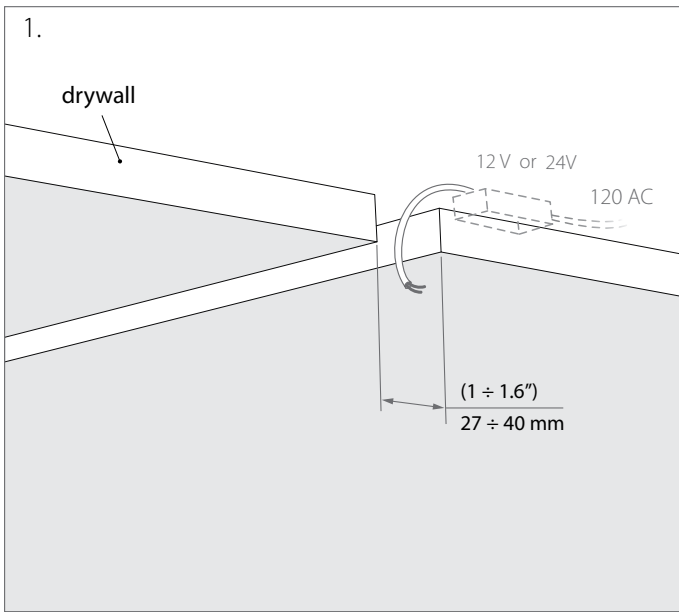


Wiring diagram



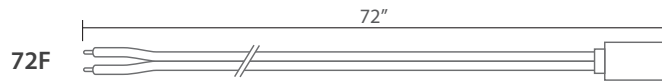
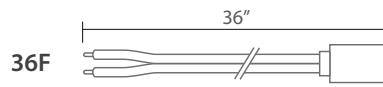
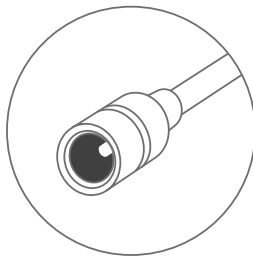
Mounting Instruction

Mounting of the LARKO extrusion to a surface (drywall, wood etc) with the use of KMA surface mounting springs.

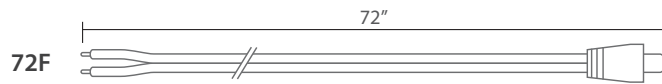
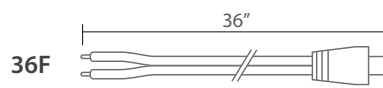
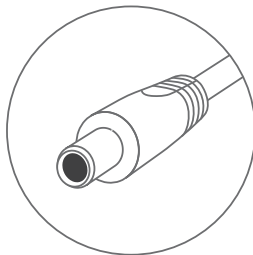


Fixture cable options

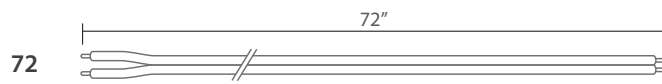
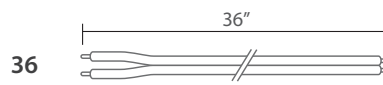
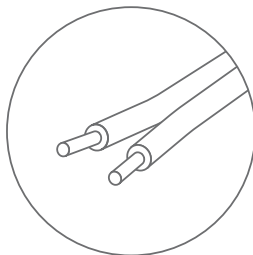
Female end



Male end



Wire end



\*Examples of attaching a KLUS fixture to the power supply

