

LED Flood Light

JOB NAME: _____

DATE: _____

TYPE: _____

PART NUMBER: LF-20WW (WARM WHITE)
LF-20CW (COOL WHITE)



PRODUCT DESCRIPTION:

LED floodlight series 20w. Adopting Bridgelux LED chip as its light source. With its high lighting efficiency but low light decay, it can be used for a long time.

TECHNICAL SPECIFICATIONS:

LED Consumption 20W

Power/Quantity 1pc*20W

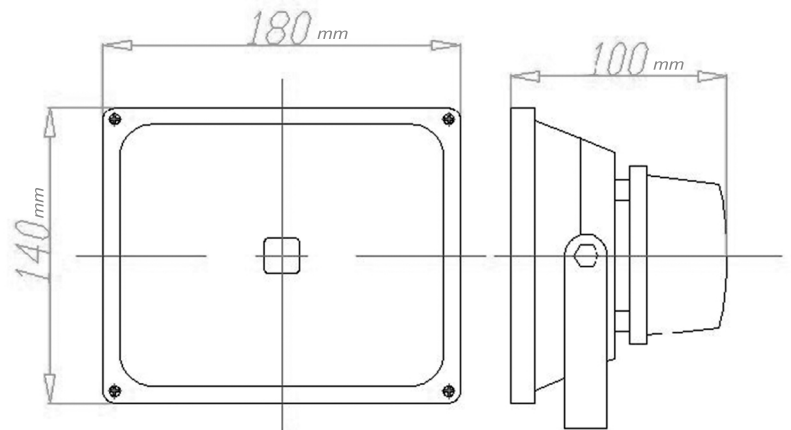
Power Consumption 25W

LED Initial Flux >1400 lm

Luminous efficiency: 76.0lm/w

Color Temperature Warm White:3500K,
Cool White:5000K

DIMENSIONS:



FEATURES:

1. Stainless Hex socket. The lights can only be opened with specific tool, that is say, only the professional person can open it, which makes the safety of the products.
2. Silicon rubber instead of glue at every joint to prevent water coming into the internal part.
3. Waterproof VDE 3C rubber cable instead of PVC cable. Low oxidation.
4. Drivers' PF is more than 0.95.
5. Bridgelux LED. High light efficiency (110-120lm/w), high CRI (Ra>70), and low light degradation.
6. Tempered glass.
7. Reflector. Mirror reflection cover can enhance the light reflection.
8. Environmental package. PE bag and EPE package instead of EPS.
9. Baking instead of spray painting.

1. Luminous intensity distribution diagram

