



**PROFESSIONAL
OUTDOOR LIGHTING**

Type:

Model:

Project:

SPECIFICATION SHEET

MODEL 1163 Architectural Series • Inground & Well Lights • LED

FIXTURE SPECIFICATIONS:

HOUSING:

Die-cast, copper-free aluminum or injection-molded, glass-reinforced Ryton® R-4 composite with a silicone O-ring gasket – providing a superior weather-tight seal.

LENS COVER:

Die-cast, copper-free aluminum or Injection-molded, glass-reinforced Ryton® R-4 composite.

FINISH:

Available in Black, Architectural Bronze, Light Bronze, Dark Bronze, Verde, Pewter, Architectural Brick, Granite, Terracotta, Rust, Hunter Green, Mocha, Weathered Bronze, Weathered Iron, and White.

LENS:

Convex, tempered, shock & heat-resistant, soda-lime glass lens. Available in clear, cool blue and frosted.

OPTICS/AIMING:

Injection-molded optical grade acrylic available in Spot (SP), Flood (FL), and Wide Flood (WF) distributions. Optional Tilt Optic Kit (TO) available to modify direction of beam angle.

LAMP TYPE:

Three or six high output LED emitters, powered for high efficiency. Modular performance optic package.

ELECTRICAL:

Constant current Class 2 output driver with 120/240V input. Suitable for through branch wiring using either two 1/2" NPT or 3/4" NPT on bottom or two 1/2" NPT on side.

MOUNTING:

In-grade. Mounting accessories not required.

FASTENERS/INSERTS:

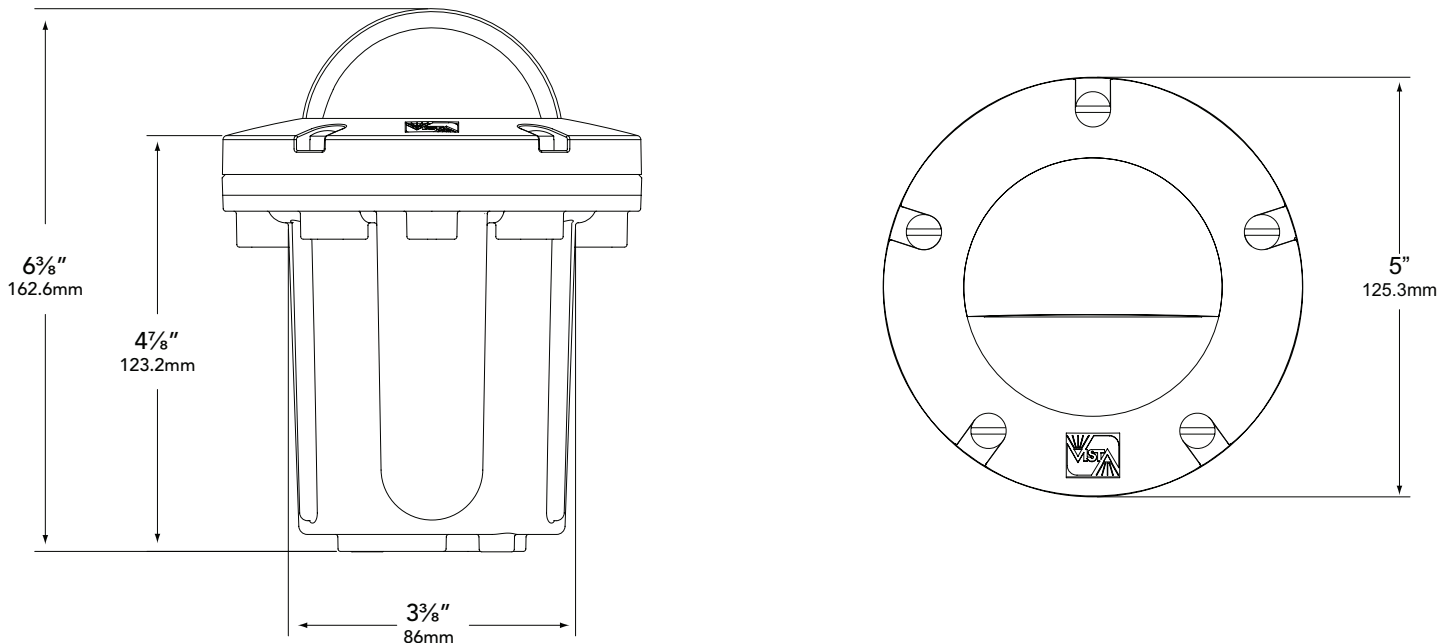
All fasteners are stainless steel.

CERTIFICATION:

UL Listed to U.S. & Canadian safety standards for line voltage landscape luminaires (UL 1598). Suitable for wet locations.

All Vista luminaires are [MADE IN THE U.S.A.](#)

DIMENSIONS:



Vista Professional Outdoor Lighting reserves the right to modify the design and/or construction of the fixture shown without further notification.



SPECIFICATION SHEET

MODEL 1163 Architectural Series • Inground & Well Lights • LED

LAMP SPECIFICATIONS:

LED

- High output LED, powered for high efficiency
- Modular performance optic package
- 3 emitter - 5 watts, 90 deliverable lumens
- 6 emitter - 10 watts, 177 deliverable lumens

OPTICS / AIMING

- Injection-molded optical grade acrylic
- Available in Spot (SP), Flood (FL), and Wide Flood (WF) distributions
- Optional Tilt Optic Kit (TO) with 5°, 10°, 15° tilt and 5° axial spread

ELECTRICAL

- Constant current Class 2 output driver
- 120/240V input
- Suitable for through branch wiring
- Two 1/2" NPT bottom, two 3/4" NPT bottom, or two 1/2" NPT side conduit entries

FIXTURE ORDERING INFORMATION

TO ORDER FIXTURE: Select appropriate choice from each column as in the following example.

EXAMPLE: 1163-AL-B-SP-3-W-120/240-AL-CX-12B-HL

MODEL	LENS COVER	FINISH	DISTRIBUTION	LED QTY	COLOR TEMP	VOLTAGE	HOUSING	LENS	HUBS	ACCESSORIES
1163	AL - Aluminum CP - Composite	B- Black G- Verde BR- Architectural Brick Z- Architectural Bronze LZ - Light Bronze DZ - Dark Bronze GT- Granite P- Pewter TC- Terracotta R- Rust HG- Hunter Green M- Mocha WB- Weathered Bronze WI- Weathered Iron W- White	SP - Spot MF - Med Flood WF - Wide Flood	3 emitter 6 emitter	W - Warm C - Cool	120/240	AL - Aluminum CP - Composite	CX - Crowned Clear CBL - Crowned Cool Blue CFR - Crowned Frosted	12B - 1/2" Bottom 34B - 3/4" Bottom 12S - 1/2" Side	HL - Honeycomb Louver TO - Tilt Optic Kit

Vista Professional Outdoor Lighting reserves the right to modify the design and/or construction of the fixture shown without further notification.