

Order Code: PN72162



Description

The Venture Lighting LED panel series of luminaires are low profile, lightweight, and designed for long life and low maintenance. These are designed to quickly and easily upgrade existing fluorescent fixtures. LED color consistency meets a 4-step MacAdam ellipse.

Construction

The high performance LED source is mounted to ensure proper thermal management of the system. The design allows for a cooler running LED chip which leads to longer lifetime, better efficacy, and color consistency.

Optics

The fixtures are designed to have low glare yet utilize high performance materials to maximize efficacy and achieve precise photometric distributions.

Electrical

The power supply has a range of 120-277V, 50/60 Hz. The high performance LED fixtures are rated up to 50,000 hours (L70). 0-10V DC dimming capability is standard. The fixture is rated for damp and dry locations.

Mounting

The fixture is designed for replacing fluorescent fixtures.

Product Performance

Operating Temperature Range	-20°C to 45°C
Wattage	40W
Lumen Output	4192
Correlated Color Temperature (CCT)	4000K
Color Rendering Index (CRI)	80+
Life Hours (L70)	50,000

Physical Characteristics

Fixture Color	White
Width	23.7"
Length	23.7"
Height	1.9"
Panel Size	2x2
Weight	10.6 lbs

Electrical Characteristics

Amperage Draw (Input Volts/Amps)	120/0.34 208/0.20 240/0.17 277/0.15
----------------------------------	-------------------------------------

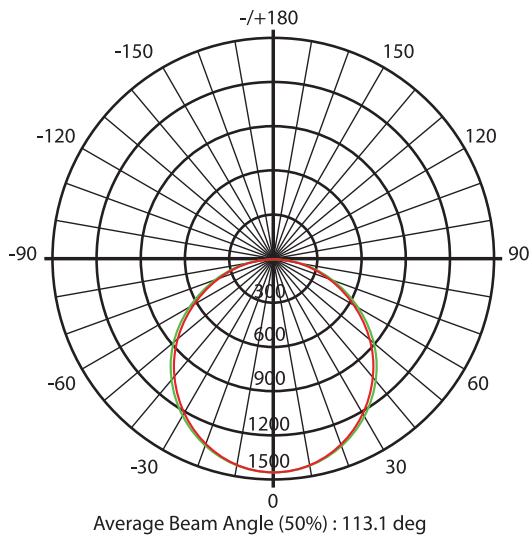
Regulatory Qualifications

cULus Listed
DLC Qualified - Model# VL1-PA22-040N-A-AG00
IC-rated

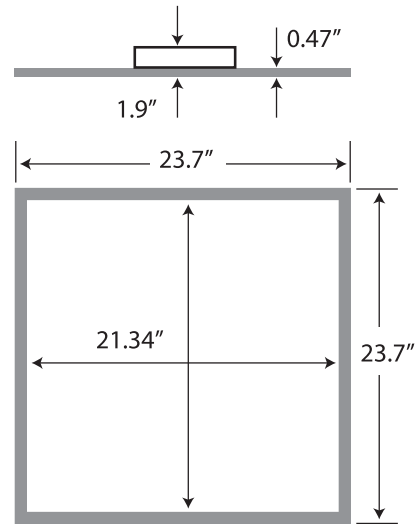


Venture 40W LED Panel, 4000K

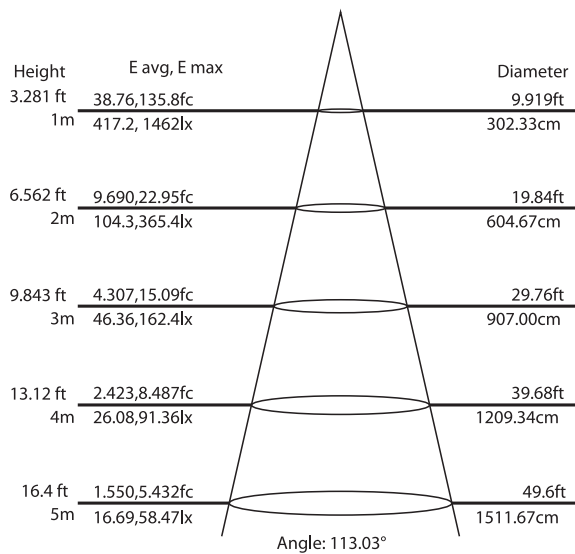
Luminous Intensity Distribution Diagram



40W 2x2 LED Panel



Average Illuminance Curve



(800) 451-2606
 Fax: (800) 451-2605
 2451 Enterprise Parkway East
 Twinsburg, Ohio 44087 USA
 E-mail: venture@adlt.com
VentureLighting.com

