



DLC Model# FA-212C5A



Description

VFLOOD is a low profile, lightweight LED Flood Light fixture, designed for long life and low maintenance. The fixtures are designed to quickly and easily upgrade existing flood fixtures. Twist lock photocell receptacle and shorting cap included with the fixture.

Construction

The housing unit is constructed from heavy-duty, die cast aluminum. Fixtures are finished with a durable bronze polyester powder coating. To ensure weather-tight protection and to keep out contaminants, each optical assembly is sealed with a silicone gasket. Each unit is rated for wet locations.

Electrical

The Class II power supply has a range of 120-277V, 50/60 Hz. The high performance LEDs are rated up to 50,000 hours at 25°C ambient temperature. 0-10V dimming capability is standard.

Mounting

Fixtures can be mounted by a 6" straight arm extension, a slipfitter mount that fits onto a 2-3/8" tenon, or a yoke mount. Not included with fixture. Order separately.

Product Performance	
Operating Temperature Range	-40°C to 40°C
Wattage	212W
Lumen Output	25343
Correlated Color Temperature (CCT)	5000K
Color Rendering Index (CRI)	80+
Life Hours (L70)	50,000
Replaces HID Wattage	1000W

Physical Characteristics	
Fixture Color	Bronze
Width	13.3"
Length	19.3"
Height	6.3"
Weight	21.8 lbs
EPA	2.24

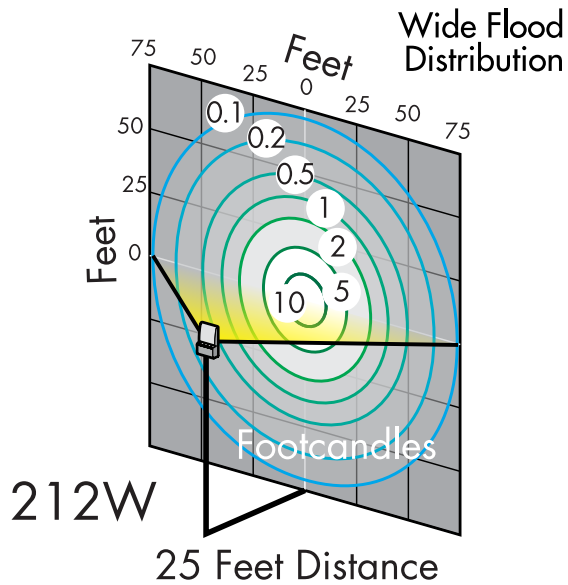
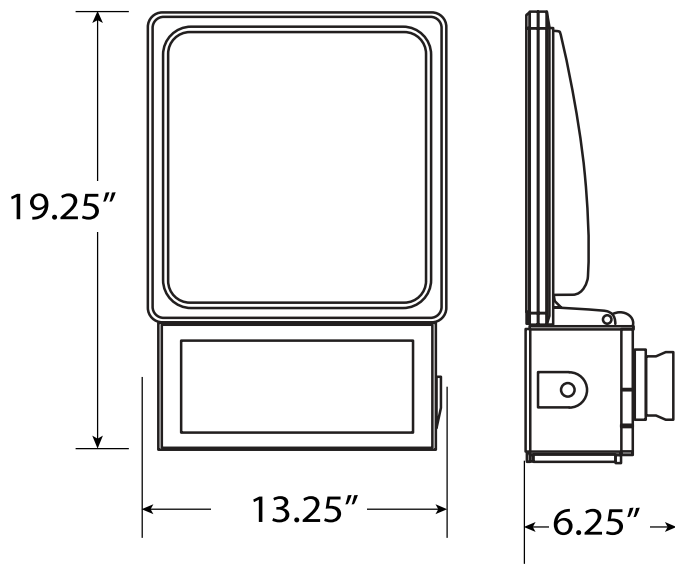
Electrical Characteristics	
Amperage Draw (Input Volts/Amps)	120/1.78 208/1.10 240/0.90 277/0.78
Surge Protection	10kA

Regulatory Qualifications	
cULus Listed	
DLC Qualified - Model# FA-212C5A	
Rated for wet locations	

Accessories	
FL99436 U-Bracket for 212W LED VFlood	
FL22402 6" Straight Arm, Square Pole - Brz	
FL25107 Adjustable Slipfitter for LED VFloods	
PH12415 Twist lock photocell	
PH81975 Twist lock shorting cap	



Venture VFLOOD - 212W LED Flood Light



(800) 451-2606
 Fax: (800) 451-2605
 2451 Enterprise Parkway East
 Twinsburg, Ohio 44087 USA
 E-mail: venture@adlt.com
VentureLighting.com

