

SOLID STATE BOLLARDS

BRA SERIES-LED

SPECIFICATIONS

BOLLARD

Durable corrosion resistant extruded and cast aluminum construction. 1/4" wall thickness.

LED POWER ARRAY™

Three-dimensional array consisting of 6 individual LED tubes for the BDA8 model and 4 individual LED tubes for the BDA6 model, which are fastened to a retaining plate equally spaced to provide 360° of even illumination output. Each LED tube consists of a circuit board populated with a multiple of LED's which is fastened to a radial aluminum heat sink. A white polycarbonate lens and end caps protect each LED tube's internal components and provides diffusion to prevent shadowing and striations.

INTERNAL LOUVER (IL) - A specular louver stack conceals the inner LED Power Array Module and provides uplight and glare control through the external clear polycarbonate lens.

CAST LOUVER (CL) - External cast aluminum louver stack protects the internal LED Power Array Module and provides uplight and glare control. An internal clear polycarbonate lens is integrated with the LED Power Array Module.

OPAL LENS (WP) - Exterior white polycarbonate lens protects the internal LED Power Array Module and provides a uniform white glow.

RADIAL LED MODULE

LED'S are mounted to a circular heatsink in a radial array. The radial LED module is concealed in the cap of the bollard. LED's are not directly visible from angles above 90°.

PARABOLIC REFLECTOR (PR) - A specular Parabolic Reflector reflects a portion of the distribution from the radial LED module and provides a uniform wide angle throw through the outer clear polycarbonate lens.

LED EMITTERS

High Output LED's are driven at 350mA for nominal 1 Watt output each. 70CRI Minimum. LED's are available in standard Neutral White (4000K), or optional Cool White (5000K) or Warm White (3000K). Consult Factory for other LED options.

LED DRIVER

UL and CUL recognized Constant Current LED drivers operate on input voltages from 120-277VAC, 50/60hz. Consult Factory for (347-480VAC). Driver is mechanically fastened to a retaining bracket. Driver has a minimum 4KV of internal surge protection, 10KV & 20KV Surge Protector optional. Dimmable and High-Low Driver options available.

FINISH

Polyester powder coat incorporates four step iron phosphate process to pretreat metal surface for maximum adhesion. Top coat is baked at 400°F for maximum hardness and exterior durability.

PROJECT NAME: _____

FIXTURE TYPE: _____

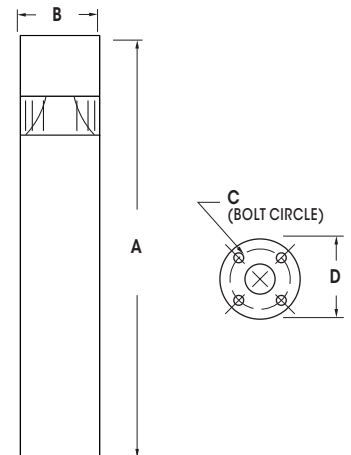
GET A QUOTE >



BRA

BRA8 SHOWN WITH -PR OPTICS

PATENT PENDING



BOLLARD	A	B	C	D
BRA8	42" 1067mm	8" 203mm	6" 152mm	8" 203mm
BRA6	42" 1067mm	6" 152mm	4" 102mm	6" 152mm



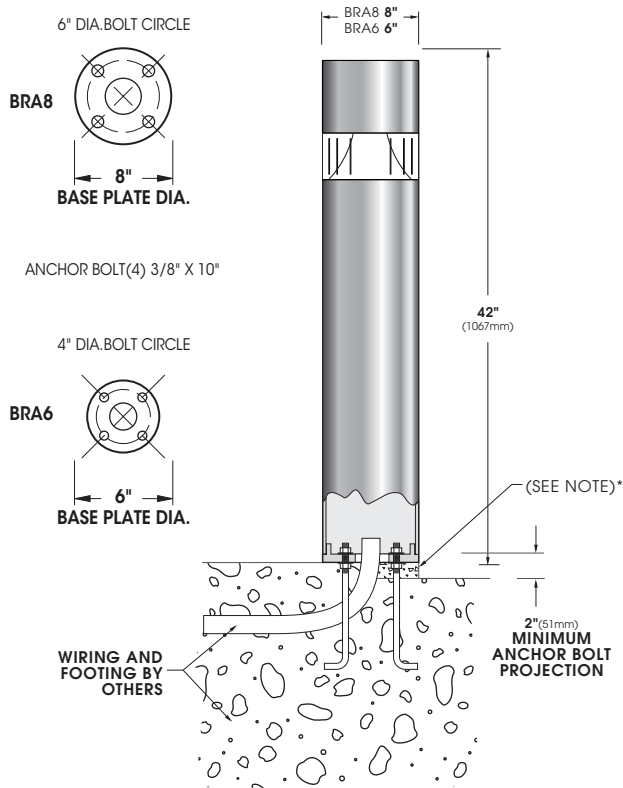
2018214



BRA SERIES-LED

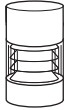





SPECIFICATIONS

INSTALLATION



*When mounting in soil, anchor bolt fasteners and other hardware must be protected from soil by grouting.

OPTICS

INTERNAL LOUVER SUPPLIED WITH CLEAR POLYCARBONATE LENS		IL	
CAST LOUVER		CL	
OPAL POLYCARBONATE		WA	
PARABOLIC REFLECTOR		PR	

VPA - Vertical Array
BRA8 Available in:
36 LED Max


BRA6 Available in:
24LED Max

RADIAL LED Module
BRA8 Available in:
18 LED Module

BRA6 Available in:
12 LED Module

Spec/Order Example: BRA6-TR/12LED120WW/RAL-8019-T/HLSW

ORDERING INFORMATION

BOLLARD	OPTICS	# of LED's	COLOR	VOLTAGE	MOUNTING	FINISH	OPTIONS
<input type="checkbox"/> BRA8-LED	<input type="checkbox"/> INTERNAL LOUVER IL	<input type="checkbox"/> 36LED ¹	<input type="checkbox"/> NW (4000K) Standard		<input type="checkbox"/> GROUND INSTALLATION  (STANDARD)	<input type="checkbox"/> BLACK RAL-9005-T	<input type="checkbox"/> DIMMABLE DRIVER (0-10V PROVIDED) DIM
<input type="checkbox"/> BRA6-LED	<input type="checkbox"/> CAST LOUVER CL	<input type="checkbox"/> 24LED	<input type="checkbox"/> CW (5000K)				
	<input type="checkbox"/> OPAL POLYCARBONATE WP*		<input type="checkbox"/> WW (3000K)			<input type="checkbox"/> GREY RAL-7004-T	<input type="checkbox"/> INTERNAL HOUSE SIDE SHIELD. HS
	RADIAL LED MODULE		OTHER LED COLORS AVAILABLE CONSULT FACTORY			<input type="checkbox"/> DARK BRONZE RAL-8019-T	<input type="checkbox"/> DUPLEX RECEPTACLE DUP
	<input type="checkbox"/> PARABOLIC REFLECTOR PR	<input type="checkbox"/> 18LED ¹	VOLTAGE			<input type="checkbox"/> GREEN RAL-6005-T	<input type="checkbox"/> GROUND FAULT RECEPTACLE GFI
		<input type="checkbox"/> 12LED ²	<input type="checkbox"/> 120				<input type="checkbox"/> 10KV SURGE PROTECTOR 10SP
			<input type="checkbox"/> 208				<input type="checkbox"/> 20KV SURGE PROTECTOR (277V & 480V Only) 20SP
			<input type="checkbox"/> 240				
			<input type="checkbox"/> 277				
			<input type="checkbox"/> 347				
			<input type="checkbox"/> 480				
		NOTES: 1 - AVAILABLE IN BRA8 ONLY. 2 - AVAILABLE IN BRA6 ONLY.					
	*WP OPTICS USE OPAL POLYCARBONATE LENS					FOR SMOOTH FINISH REPLACE SUFFIX "T" WITH SUFFIX "S" (EXAMPLE: RAL-9500-S)	OPTIONAL HEIGHTS:
						SEE USALTG.COM FOR ADDITIONAL COLORS	<input type="checkbox"/> 30"
							<input type="checkbox"/> 36"

