

# SOLID STATE BOLLARDS

## BDA8-HV SERIES-LED

### SPECIFICATIONS

#### BOLLARD

Durable corrosion resistant extruded and cast aluminum construction. 1/4" wall thickness.

#### LED POWER ARRAY™

Three-dimensional array consisting of 6 individual LED tubes fastened to a retaining plate equally spaced to provide 360° of even illumination output. Each LED tube consists of a circuit board populated with a multiple of LED's which is fastened to a radial aluminum heat sink. A white polycarbonate lens and end caps protect each LED tube's internal components and provides diffusion to prevent shadowing and striations.

**CAST LOUVER (CL)** - External cast aluminum louver stack protects the internal LED Power Array Module and provides 180° of horizontal louvered illumination and 180° of vertical illumination. An internal clear polycarbonate lens is integrated with the LED Power Array Module.

#### LED EMITTERS

High Output LED's are driven at 350mA for nominal 1 Watt output each. 70CRI Minimum. LED's are available in standard Neutral White (4000K), or optional Cool White (5000K) or Warm White (3000K). Consult Factory for other LED options.

#### LED DRIVER

UL and CUL recognized Constant Current LED drivers operate on input voltages from 120-277VAC, 50/60hz. Consult Factory for (347-480VAC). Driver is mechanically fastened to a retaining bracket. Driver has a minimum 4KV of internal surge protection, 10KV & 20KV Surge Protector optional. Dimmable and High-Low Driver options available.

#### FINISH

Polyester powder coat incorporates four step iron phosphate process to pretreat metal surface for maximum adhesion. Top coat is baked at 400°F for maximum hardness and exterior durability.

PROJECT NAME: \_\_\_\_\_

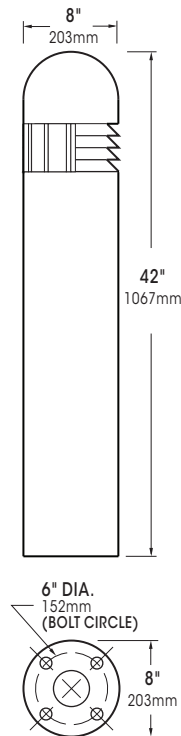
FIXTURE TYPE: \_\_\_\_\_

GET A QUOTE >



**BDA8-HV**

PATENT PENDING



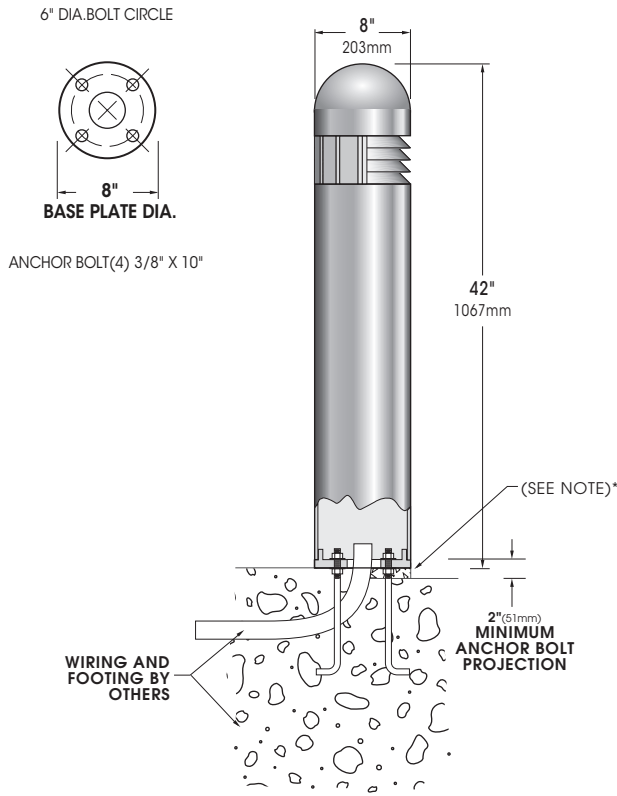
2013256

# BDA8-HV SERIES-LED

## S P E C I F I C A T I O N S

### WALL MOUNT

### LED MODULES



\*When mounting in soil, anchor bolt fasteners and other hardware must be protected from soil by grouting.

## O R D E R I N G I N F O R M A T I O N

BOLLARD	OPTICS	# of LED's	COLOR	VOLTAGE	MOUNTING	FINISH	OPTIONS
<input type="checkbox"/> BDA8-HV-LED	<b>VERTICAL POWER ARRAY</b> <input type="checkbox"/> CAST LOUVER ..... CL	<b># of LEDs</b> <input type="checkbox"/> 36LED (42 Watts) <input type="checkbox"/> 24LED (28 Watts)	<b>COLOR</b> <input type="checkbox"/> NW (4000K) Standard <input type="checkbox"/> CW (5000K) <input type="checkbox"/> WW (3000K) OTHER LED COLORS AVAILABLE CONSULT FACTORY	<b>VOLTAGE</b> <input type="checkbox"/> 120 <input type="checkbox"/> 208 <input type="checkbox"/> 240 <input type="checkbox"/> 277 <input type="checkbox"/> 347 <input type="checkbox"/> 480	<b>GROUND INSTALLATION</b>	<b>STANDARD TEXTURED FINISH</b> <input type="checkbox"/> BLACK RAL-9005-T <input type="checkbox"/> WHITE RAL-9003-T <input type="checkbox"/> GREY RAL-7004-T <input type="checkbox"/> DARK BRONZE RAL-8019-T <input type="checkbox"/> GREEN RAL-6005-T FOR SMOOTH FINISH REMOVE SUFFIX "T" (EXAMPLE: RAL-9500) SEE USALTG.COM FOR ADDITIONAL COLORS	<input type="checkbox"/> DIMMABLE DRIVER (0-10V PROVIDED) ..... DIM <input type="checkbox"/> HIGH-LOW DIMMING FOR HARDWIRED SWITCHING OR NONINTEGRATED MOTION SENSOR ..... HLSW <input type="checkbox"/> INTERNAL HOUSE SIDE SHIELD ..... HS <input type="checkbox"/> DUPLEX RECEPTACLE ..... DUP <input type="checkbox"/> GROUND FAULT RECEPTACLE ..... GFI <input type="checkbox"/> 10KV SURGE PROTECTOR ..... 10SP <input type="checkbox"/> 20KV SURGE PROTECTOR (277V & 480V Only) ..... 20SP <b>OPTIONAL HEIGHTS:</b> <input type="checkbox"/> 30" <input type="checkbox"/> 36"