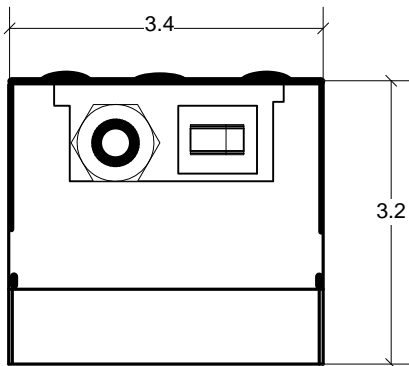
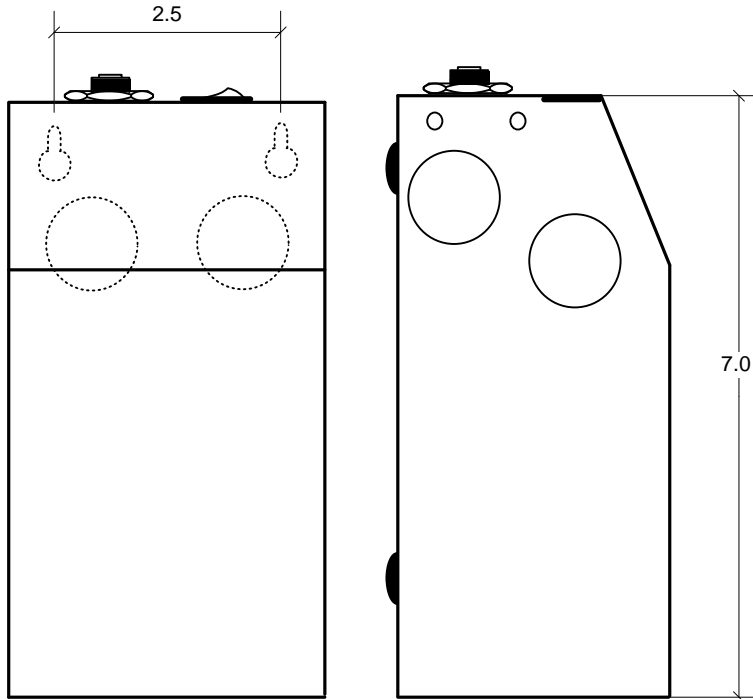


Two keyholes and two additional knockouts on the back



NOTES:

1. Output voltage in table 1 with 240VAC 50Hz applied and fully loaded.
2. Maximum no load input current : 0.3A
3. Enclosure Temperature does not exceed 70°C in a 40°C ambient, fully loaded.
4. The actual transformer 90VA is encapsulated in the enclosure.
5. The transformer is dimmable with all dimmers that provide symmetrical form of the current under any condition.
6. Input leads are 18 AWG output leads are 12 AWG. Lead insulation is 105°C.
7. The transformer uses a class B (130°C) insulation system.
8. The transformer has a manual reset thermal 1A circuit breaker on the secondary side and Magnetic 4A on the secondary side.
9. Wiring compartment has 4 side and 2 back knockouts sized for 3/4 inch screw cable connectors.
10. The removable cover for the wiring compartment is secured in place by clips.
11. The enclosure is black powder coated.
12. The Transformer is Class 2 cETLus listed 4005509 model C100.
13. The label contains Technomagnet's catalog number and electrical rating.

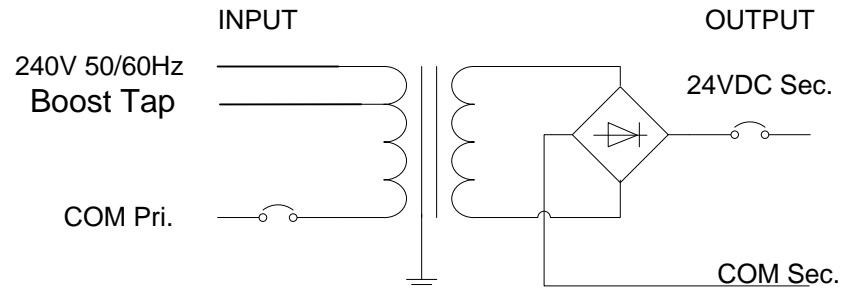


Table 1.

Output Volts	
240AC	Boost
24	26

TM TechnoMagnet LTD. Interactive Lighting Servers				15547 Cabrito Road Unit A Van Nuys, CA 91406	
<input checked="" type="checkbox"/>	NAME	DATE	SING.	PAGE ____	SCALE no scale
DRW.				OF ____	TOLERANCE ±
CHK.				DESCRIPTION: Compact indoor 24VDC 90VA Low voltage Transformer.	
APV.					
PART No. TMC90S24DC 240EU					