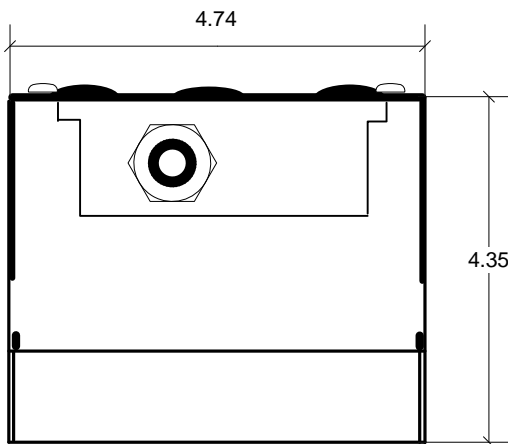
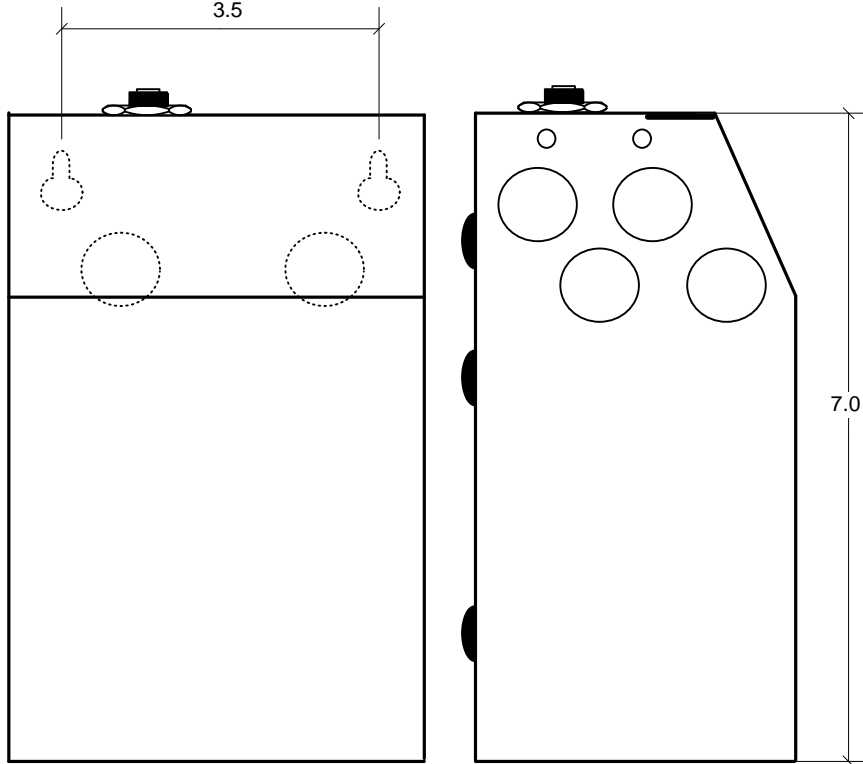


Two keyholes and additional knockout on the back.



NOTES:

1. Output voltage in table 1 with 240V 50Hz applied and fully loaded.
2. Maximum no load input current : 0.6A
3. Enclosure Temperature does not exceed 70°C in a 40°C ambient, fully loaded.
4. The actual transformer 150VA is encapsulated in the enclosure.
5. The transformer is dimmable with all dimmers that provide symmetrical form of the current under any condition.
6. Input leads are 18 AWG 600V 105°C, output leads are 12 AWG 600V 150°C.
7. The transformer uses a class B (130°C) insulation system.
8. The transformer has manual reset 20Amps. thermal breaker on the secondary side.
9. Wiring compartment has 8 side and 2 back knockouts sized for 3/4 inch screw cable connectors.
10. The removable cover for the wiring compartment is secured in place by clips.
11. The enclosure is black powder coated.
12. The Transformer is UL listed. UL file number: E194005. model C-300
13. The label contains Technomagnet's catalog number and electrical rating.

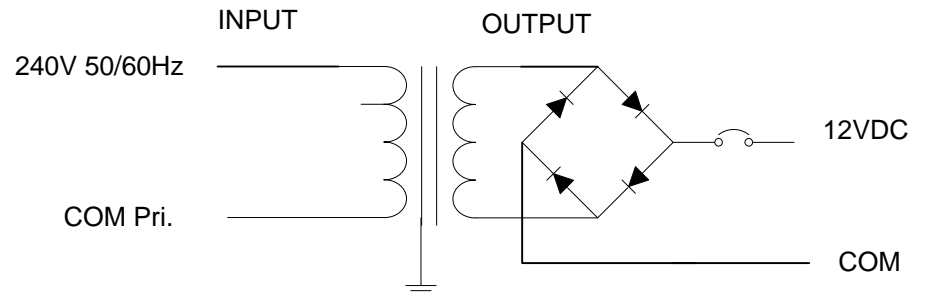



Table 1.

| Output Volts | |
|--------------|--|
| 240VAC | |
| 11.5VDC | |

| | | | | | |
|--|--|--|--|---|----------------|
|  TechnoMagnet LTD. Interactive Lighting Servers | | | | 15547 Cabrito Road Van Nuys, CA 91406 | |
| | | | | PAGE ____ | SCALE no scale |
| DRW. | | | | OF ____ | TOLERANCE ± |
| CHK. | | | | DESCRIPTION: Compact indoor 12VDC 150VA Low voltage Transformer. | |
| APV. | | | | | |
| PART No. TMC150S12DC240EU | | | | | |