



Atlas Recessed LED Luminaire

Catalog Number TCPATLASGS60HRS

Notes

Type



Atlas Recessed LED Luminaire

Installation

Ceiling recess mounted.
Before installation, please consult your local ordinances and building codes for compliance.

Warranty

Five years against defects in manufacturing.

Listing

UL/cUL Listed - Suitable for wet locations
DesignLights Consortium qualified

Application

TCP's Atlas Recessed LED Luminaire is designed for applications that require a recessed fixture with a long life and low maintenance requirement. This includes gas station canopies, parking garages, stairwells, building facades, walk-in coolers, and other similar applications.

Description

This LED luminaire was designed for optimum performance and is a more efficient alternative to incandescent, metal halide, and linear lamps. The Atlas Recessed LED Luminaire is easy to install and has a long life, making it perfect for hard to reach areas.

Construction

TCP's Atlas Recessed LED Luminaire uses 60 High-Power LumiLED Rebel LED's. It is constructed from heavy gauge sheet aluminum, which is powder coated in a durable white finish. It is 13.6" square, 4.41" tall, and weighs 16.5 pounds. It has an IP65 weather rating.

Electrical

The driver is UL listed, has a power factor of 0.95, and an input voltage of 100-277 VAC (50/60 Hz). The Luminaire is rated at 100 watts, with a THD of less than 10%. Electrical protections include OVP, OCP, SCP, and OTP.

Performance

LED Life: 50,000 hrs

CCT: White 5500°K (Other color temperatures available upon request)

CRI: 71

Total Lumen Output: 7929 (IESNA LM-79-08 Test Procedure)

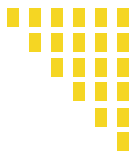
Lumens Per Watt: 80.4

Coverage: Type V

Operating Temperature: -20°F ~ 140°F

DESIGNLIGHTS

CONSORTIUM



Back View

TCP, Inc.

325 Campus Dr. | Aurora, Ohio 44202 | P: 800-324-1496 | tcp.com

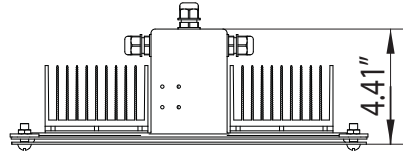
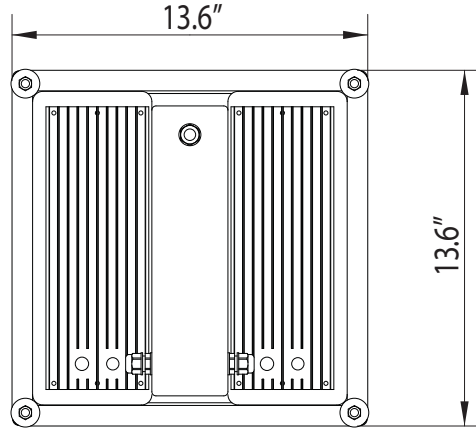
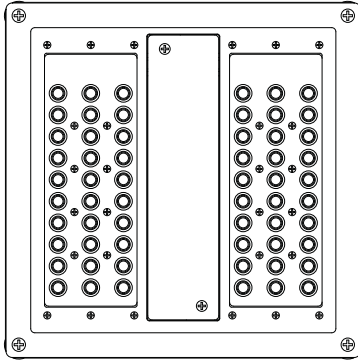
©TCP, Inc. 2013/49703



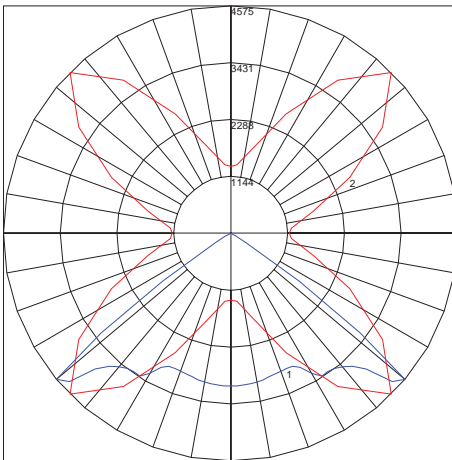


Atlas Recessed LED Luminaire

Dimensions & Construction



Photometric Report



Maximum Candela = 4575 Located At Horizontal Angle = 45, Vertical Angle = 50
 # 1 - Vertical Plane Through Horizontal Angles (45 - 225) (Through Max. Cd.)
 # 2 - Horizontal Cone Through Vertical Angle (50) (Through Max. Cd.)

Candela Distribution

Effective Floor Cavity Reflectance 0.20

RC	80				70				50			30			10			0
RW	70	50	30	10	70	50	30	10	50	30	10	50	30	10	50	30	10	0
0	119	119	119	119	116	116	116	116	111	111	111	106	106	106	102	102	102	100
1	112	108	105	102	109	106	103	101	102	100	98	98	96	95	95	93	92	90
2	104	98	92	88	102	96	91	87	92	88	85	89	86	83	86	84	81	79
3	96	88	81	76	94	86	80	75	84	78	74	81	77	73	79	75	72	70
4	89	79	72	66	87	78	71	66	76	70	65	73	68	64	71	67	63	61
5	83	71	64	58	81	70	63	58	68	62	57	67	61	57	65	60	56	54
6	76	65	57	51	75	64	56	51	62	55	51	60	55	50	59	54	50	48
7	71	59	51	45	69	58	51	45	57	50	45	55	49	45	54	48	44	43
8	66	54	46	40	64	53	46	40	52	45	40	50	44	40	49	44	40	38
9	62	49	41	36	60	48	41	36	47	41	36	46	40	36	45	40	36	34
10	57	45	38	33	56	45	37	33	44	37	33	43	37	32	42	36	32	31

Zonal Lumen Summary

Zone	Lumens	% Fixt.
0-30	2550.84	32.20
0-40	4575.56	57.70
0-60	7867.8	99.20
0-90	7929.13	100.00
90-120	0.00	0.00
90-130	0.00	0.00
90-150	0.00	0.00
90-180	0.00	0.00
0-180	7929.13	100.00

Total Luminaire Efficiency = N.A.%

Luminance Data in Candela/Square Meter

Angle in Degrees	0.0	45.0	90.0
45	44414	61990	44430
55	2777	35629	2640
65	717	1831	584
75	780	433	650
85	386	129	257

Photometric Report

Total Input Watts (120V)	98.6
Luminaire Efficacy Rating (LER)	80.4%
Spacing Criterion (0-180)	1.50
Spacing Criterion (90-270)	1.50

Photometric Data by
 Independent Testing Lab.
 ITL Boulder.

