

| | |
|-----------------|---------------|
| PROJECT NAME: | |
| CATALOG NUMBER: | FIXTURE TYPE: |
| VOLTS/WATTS: | LAMPS/BOARD: |



NARROW DISTRIBUTION HIGH BAY - 100W LED

aisle high bay

FEATURES

- Aluminum Body with Steel Channel for Added Rigidity
- Tool-Less Hinged Bottom Ballast Access Door
- Frosted or Polycarbonate Lens Options
- 95% Enhanced Aluminum Narrow Distribution Reflectors
- High Gloss Polyester White Paint
- Riveted Construction and Vented Ballast Channel
- V-Clips for Dual Point Chain or Cable Hanging (Std)
- Multiple Dimming and Sensor Options to Fully Control Occupied and Unoccupied Light Levels
- 5000K Color Temp (Std)
- 5 Year Warranty
- ETL Damp Listed
- Universal 0-10V Dimmable Driver (Std)
- DesignLights Consortium® Qualified ⁽²⁾

REPLACES 250W MH



LED SYSTEM

| | |
|------------------------------------|----------------------|
| Calculated L70 (TM-21) | >100K ⁽¹⁾ |
| Delivered Lumens | 11,300 lm |
| Total Input Watts | 111W |
| Luminaire Efficacy Rating (LER) | 102 lm/W |
| Correlated Color Temperature (CCT) | 5000 K |
| Color Rendering Index (CRI) | > 80 |
| Max Ambient Temp | 130° F |
| Universal Driver | 120-277 V |

SUITABLE APPLICATIONS

- Aisleways
- Warehouse
- Distribution
- Manufacturing Plant
- Gymnasium
- Racking Areas

LED System data above based on HB-100WLED-UNIV-5000K-ND

⁽¹⁾ LED Lumen Maintenance Estimates based on TM-21 projections for the light source at 25°C ambient

⁽²⁾ Specific Configurations Listed on DLC. ⁽³⁾ Max ambient temp applies to standard driver installed.



ORDERING GUIDE:

| | | | | |
|----|---------|------|-------|----|
| HB | 100WLED | UNIV | 5000K | ND |
|----|---------|------|-------|----|

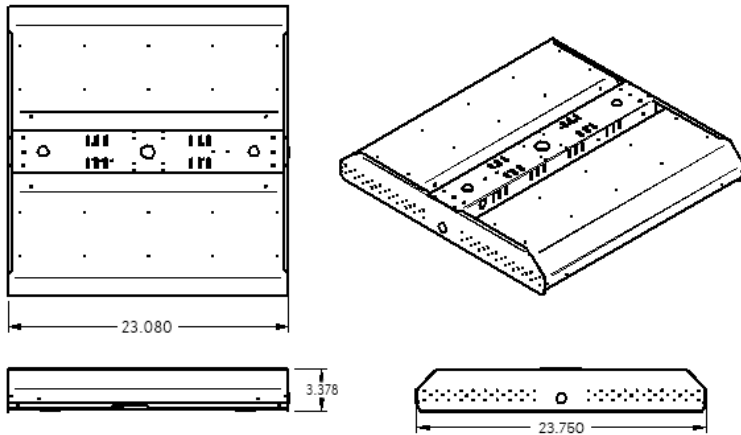
| Series | LED | Driver | Color | Options |
|--------|-----|--------|-------|---------|
|--------|-----|--------|-------|---------|

| | | | | | | | | |
|-----------------------------|--------------|----------------------------------|-------------------------------|----------------|--------------------------------|--------------------------------|--|---|
| <input type="checkbox"/> HB | High Bay 2ft | <input type="checkbox"/> 100WLED | <input type="checkbox"/> UNIV | 120-277 Driver | <input type="checkbox"/> 4000K | <input type="checkbox"/> 5000K | <input checked="" type="checkbox"/> ND | Narrow Distribution |
| | | | | | | | <input type="checkbox"/> FIOS | On/Off Occupancy Sensor Installed |
| | | | | | | | <input type="checkbox"/> FIOSPC | On/Off Occupancy Sensor w/ Photocell |
| | | | | | | | <input type="checkbox"/> USDC | User Selectable Dimming Control |
| | | | | | | | <input type="checkbox"/> USBD | User Select Bi-level Dim w/ Occ. Sensor |
| | | | | | | | <input type="checkbox"/> BDxx | Preset Bi-level Dim Sensor (xx=% eg. 20,30) |
| | | | | | | | <input type="checkbox"/> BDxxPC | Preset Bi-level Dim Sensor w/ Photocell |
| | | | | | | | <input type="checkbox"/> DHPC | Daylight Harvesting |
| | | | | | | | <input type="checkbox"/> PC | Photocell |
| | | | | | | | <input type="checkbox"/> SD480 | 480V Step Down Transformer |
| | | | | | | | <input type="checkbox"/> LEDBB | LED Battery Backup (may reduce max ambient) |
| | | | | | | | <input type="checkbox"/> CLD | For Below 0°C/32°F Environment |
| | | | | | | | <input type="checkbox"/> CORDx | Cord (x = ft) |
| | | | | | | | <input type="checkbox"/> QDCx | Quick Disconnect Cord (x = ft) |
| | | | | | | | <input type="checkbox"/> HB-XX-18Y-PAD | Y-Toggle Cable System (XX = in) |
| | | | | | | | <input type="checkbox"/> WC | 11 Ga Wire Cage |

**All 347V applications please contact factory for pricing

NARROW HIGH BAY - 100W LED

AISLE HIGH BAY

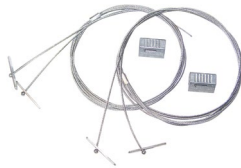


MOUNTING OPTIONS

- V-Clips for dual point chain or cable hanging (standard)
- Y-Toggle Cable Kit - Includes 2 adjustable cable hangers
- SMBKIT for surface mounting with 2" space above fixture
- Fixture Mounting Box (FMB) - Includes rigid box to attach to the fixture, provides for single point mounting to accept a pendant, hook, or conduit hub (sold separately).



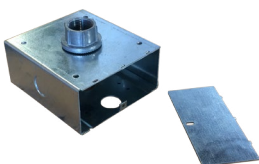
V-Clips



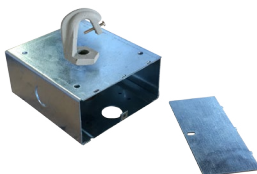
HB-XX-PAD



SMBKIT



FMB and HUB
3/4 CONDUIT



FMB and HOOK

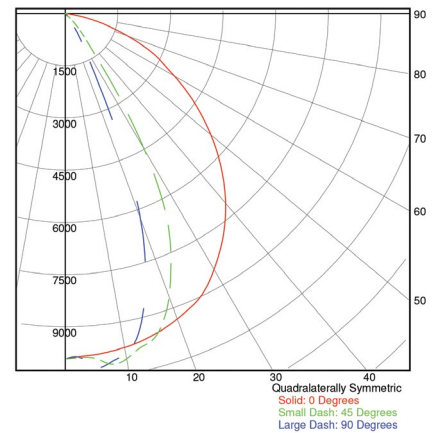
HB-100WLED-UNIV-5000K-ND

LUMINAIRE OUTPUT = 11397 LM
120.0V 0.9251A 110.5W PF=0.995

SUMMARY DATA

| | |
|-------------------------------|------------|
| HEMISPHERES TESTED: | LOWER |
| EFFICIENCY (Total): | 100.0% |
| EFFICIENCY (Downlight): | 100.0% |
| EFFICIENCY (Uplight): | 1.26% |
| CIE CLASSIFICATION: | DIRECT |
| SPACING CRITERION: | 1.29 |
| SPACING CRITERION: | 0.62 |
| LUMENS/LAMP: | 17291.77 |
| NO. OF LAMPS: | 1 |
| LUMINOUS OPENING: RECTANGULAR | |
| WIDTH: | 1.90(FEET) |
| Length: | 1.94 |
| Height: | 0.00 |
| INPUT WATTS: | 110.5 |

PLANE AND CONE DIAGRAM



Photometric values based upon tests performed in compliance with LM-79. IES files can be downloaded at www.ilp-inc.com

Industrial Lighting Products

lighting facts[®]
A Program of the U.S. DOE

| | |
|-----------------------------------|--------------|
| Light Output (Lumens) | 11300 |
| Watts | 111 |
| Lumens per Watt (Efficacy) | 101 |

| | |
|--|-----------|
| Color Accuracy Color Rendering Index (CRI) | 82 |
|--|-----------|

Light Color
Correlated Color Temperature (CCT)

5000 (Daylight)

2700K 3000K 4500K 6500K

All results are according to IESNA LM-79-2008: *Approved Method for the Electrical and Photometric Testing of Solid-State Lighting*. The U.S. Department of Energy (DOE) verifies product test data and results.

Visit www.lightingfacts.com for the *Label Reference Guide*.

Registration Number: -OAXZMG (9/8/2014)
Model Number: HB-100WLED-UNIV-5000K-ND
Type: Luminaire - Industrial