

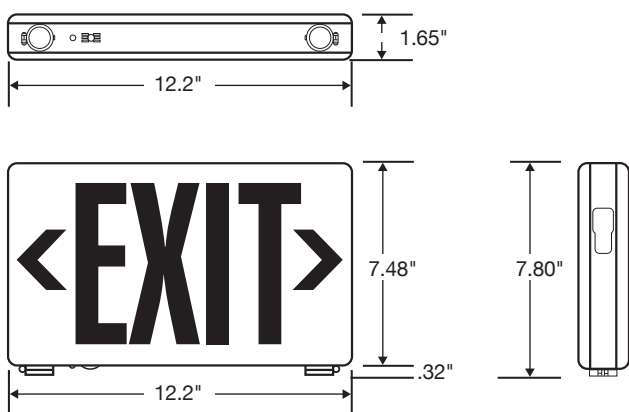
Exit/Emergency Sign Combo with LED Heads

Damp Location

Features and Benefits:

- 120/277 VAC operation
- Slim, sleek design offering Top, side or back mounting
- Housing installs to a canopy using easy snap installation
- Only 20% the size of traditional combination units. Saves on storage and shipping costs.
- Maintenance Free Ni-Cd Battery Back up delivers 90 minute capacity to emergency LED heads. Ni-Cd battery provides an estimated service life of 10 years with an operating temperature of 32° to 100° F
- Green or Red LEDs reduce power consumption to <1 watt, representing an 80% energy savings over traditional exit and emergency combination units.
- Faceplate is evenly illuminated with no shadows or hot spots. Letters are 6" high and 3/4 stroke.
- Two super bright, high power LED heads swivel 320° to provide flexibility and light where desired.
- Test switch and red indicator LED to provide both a visual and manual means to monitor the system operation.
- Adjustable heads meet Life Safety Code requirement at 0.1FC
- Thermoplastic housing resists impact, scratches and corrosion with an UL94-5VO flame rating.
- UL 924 Listed

Dimensions:



Catalog Number

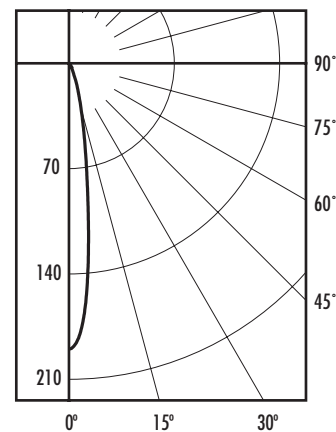
Notes

Type



Photometrics:

Maximum Intensity = 190
Degrees = 0



Warranties & Compliances:



Unit

5 YEAR WARRANTY

Nickel Cadmium

5 YEAR WARRANTY

LED Strip

25 YEAR RATED LIFE

Item #

Description

Ordering Information:

20684

2 LED Headed Adjustable Exit/Emergency Combo Red Letters White Housing

20685

2 LED Headed Adjustable Exit/Emergency Combo Green Letters White Housing

Item #

Description

Accessories:

29999LEDR

Red Diffuser

29999LEDG

Green Diffuser

207B4

Replacement Battery Ni-Cd 8.7V

20703

Replacement White Canopy

207WG

Wire Guard for Exit Sign

TCP, Inc.

325 Campus Dr. | Aurora, Ohio 44202 | P: 1-800-324-1496 | F: 330-995-6188 | tcp.com

©TCP, Inc. NOV 2010/44333

TCP is proud to have been awarded
ENERGY STAR® Partner of the Year 2010.



PARTNER OF THE YEAR