



IMPORTANT - READ CAREFULLY BEFORE INSTALLING FIXTURE. RETAIN THESE INSTRUCTIONS FOR FUTURE REFERENCE. Must be wired in accordance with the National Electrical Code and all applicable local codes. Proper grounding is required for safety. **THIS PRODUCT MUST BE INSTALLED IN ACCORDANCE WITH THE APPLICABLE INSTALLATION CODE BY A PERSON FAMILIAR WITH THE CONSTRUCTION AND OPERATION OF THE PRODUCT AND THE HAZARDS INVOLVED.**

WARNING: Make certain power is OFF before installing or maintaining fixture. No user serviceable parts inside.

NOTE: When drilling holes in the plastic J-box, it is highly recommended to use a stepped drill bit to lessen the chances of personal injury or damage to the fixture.

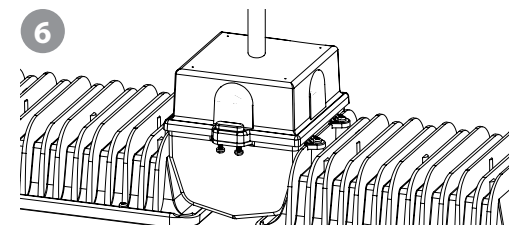
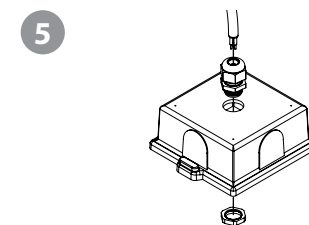
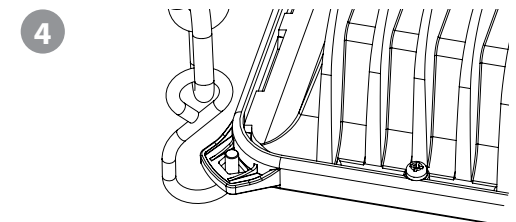
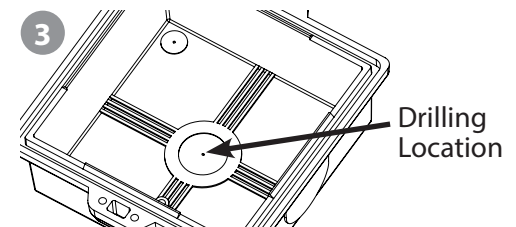
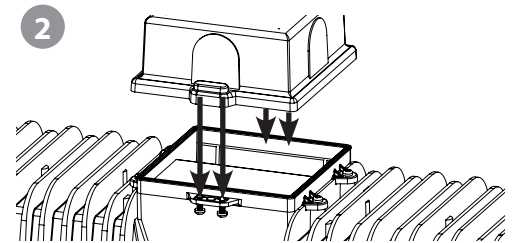
The Extreme Environment LED Vapor Tight is designed for use in demanding applications. Thermally conductive plastic & noncorrosive materials make this fixture a versatile choice for any environment.

- 1 Carefully unpack the unit from its packaging and inspect for defects before installation.
- 2 Loosen the four screws holding the junction box top to the main body. It is not necessary to completely remove the screws as they will be retained by the capture tab, making later re-installation more convenient. Remove the j-box top. Determine the desired mounting method: **hanging, pendant,** or **surface mount.**

Note: if 0-10V dimming is to be enabled, please go to 0-10V dimming installation.

Chain or Cable Hanging Mount

- 3 Drill the appropriate sized hole in the top of the black plastic junction box to accommodate the cable gland. It is recommended to use an IP66 or higher rated cable gland to ensure the installed fixture maintains its IP66 rating. Install the cable gland (for example: Altech #5308949 M20 x 1.5/13 with the neoprene sealing ring, 13/16" hole) and feed the AC supply line through the gland into the top of the junction box.
- 4 Secure a cable/chain hook to each of the 4 corner mounting loops on the main fixture body, secure the cable/chain to the supporting structure, and hang the fixture in the desired position being sure to follow all UL, NEC, and minimum load ratings guidelines. It is recommended to use stainless steel or corrosive resistant cables or chains when installing in a harsh environment.
- 5 Feed the AC supply line through the cable gland into the top of the junction box and tighten the seal around supply line. Connect the fixture driver AC input wires to black (line), white (neutral), and the fixture green grounding tether wire to ground using UL listed wire connectors.
- 6 Re-install the top of the junction box onto the main fixture and secure with the 4 screws. Take care to ensure all wires are inside junction box, the junction box is seated properly on the gasket, and not to over-tighten the screws thus cracking the plastic screw bosses.



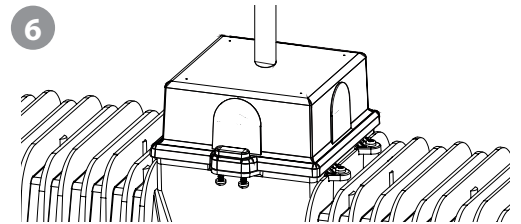
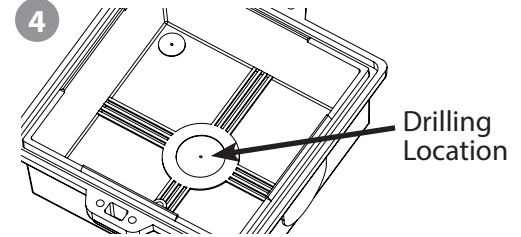
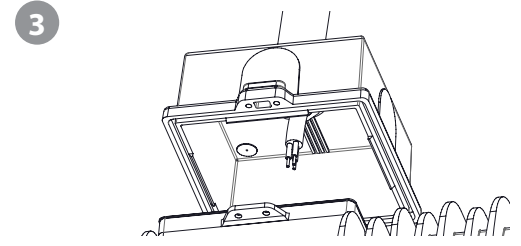
Warranty

For complete warranty information please visit :
<http://www.shat-r-shield.com>

Pendant Mount

To pendant mount this fixture either, purchase an Angled Ceiling Adaptor Kit, Wire Extension Kit & Downrod for Ceiling Fans available at Home Center stores and install per instructions included in the Kit. Or purchase a 3/4" NPT(1" outer diameter) fixture conduit stem threaded on both sides, wire of desired length and a commercial flexible fixture hanger or swivel hanger.

- 3 Position the hanging pendant mounting termination at the desired location and feed the AC supply wires through the end of the pendant.
- 4 Drill the appropriate size hole in the top of the black plastic junction box to accommodate the pendant mounting hardware. Secure the junction box top to the pendant mount in the desired mounting position being sure to follow all UL, NEC, and minimum load ratings guidelines. Use watertight connector or silicone caulking to completely seal the pendant connection to the junction box.
- 5 Connect the fixture driver AC input wires to black (line), white (neutral), and the fixture green grounding tether wire to ground using UL listed wire connectors.
- 6 Re-install the fixture to the top of the junction box with the 4 screws. Take care to ensure all wires are inside junction box, the junction box is seated properly on the gasket, and not to over-tighten the screws thus cracking the plastic screw bosses.



Surface Mount

Note: Surface mounting the fixture directly to a J-box will require an appropriate gasket material (not supplied) be used between the plastic junction box top of the fixture and the AC supply J-box. Alternatively, a bead of waterproof silicone caulking (not supplied) can be used to seal around mating surfaces.

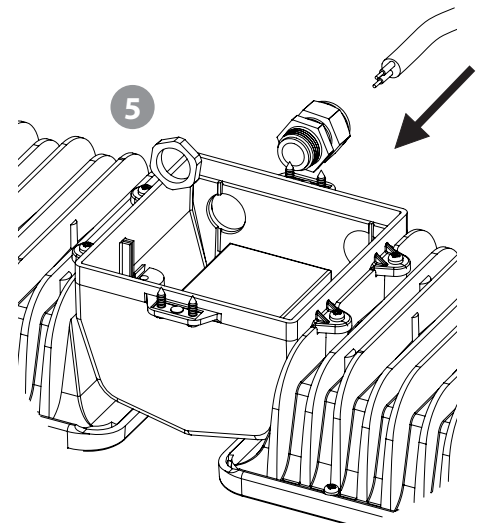
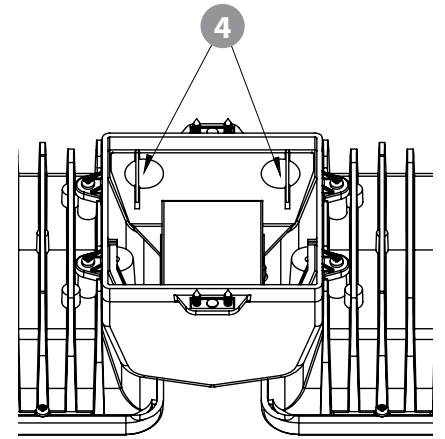
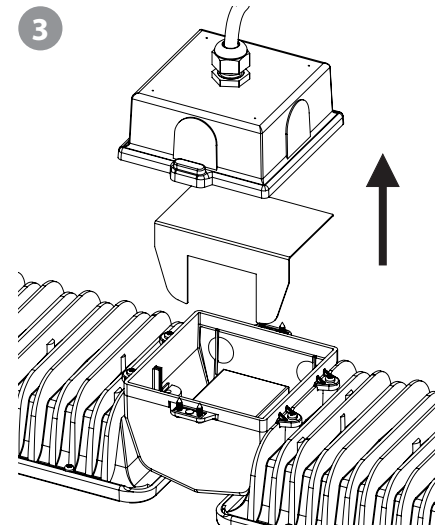
- 3 Hold the top of the fixture junction box against the AC supply J-box in the desired mounting position and carefully mark where to position the mounting screws. Drill holes in the plastic fixture junction box top at the appropriate points. Secure the fixture junction box top to the AC supply J-box in the desired mounting position using the appropriate mounting screws with washers (not supplied) being sure to follow all UL, NEC, and minimum load ratings guidelines.
- 4 Connect the fixture driver AC input wires to black (line), white (neutral), and the fixture green grounding tether wire to ground using UL listed wire connectors.
- 5 Re-install the fixture to the top of the junction box with the 4 screws. Take care to ensure all wires are inside junction box, the junction box is seated properly on the gasket, and not to over-tighten the screws thus cracking the plastic screw bosses.

Warranty

For complete warranty information please visit :
<http://www.shatshield.com>

0-10V Dimming Installation

- 3 After removing the top of the junction box, slide the metal separator plate out.
- 4 Depending upon the cable gland used, (for example: : Altech #5308949 M20 x 1.5/13 with the neoprene sealing ring, 13/16" hole) drill the appropriate sized hole in the side of the lower j-box such that the hole in the plastic j-box coincides with one of the holes in the aluminum heat spreader plate.
- 5 Carefully clear any drilling debris from the j-box, install the cable gland, and pull the low-voltage, 0-10V control wiring through the cable gland into the j-box and secure/seal the incoming cable.
- 6 Connect the 0-10V dimming control wires to those on the low-voltage side of the LED-driver: grey to grey and purple to purple using appropriate wire connections.
- 7 Carefully reinstall the metal separator plate into the slots on the sides of the j-box
- 8 Now proceed to Chain/Pendant/ or Surface mounting instruction #3



Warranty

For complete warranty information please visit :
<http://www.shatshield.com>