



Forever Bright

SPECIFICATION FEATURES



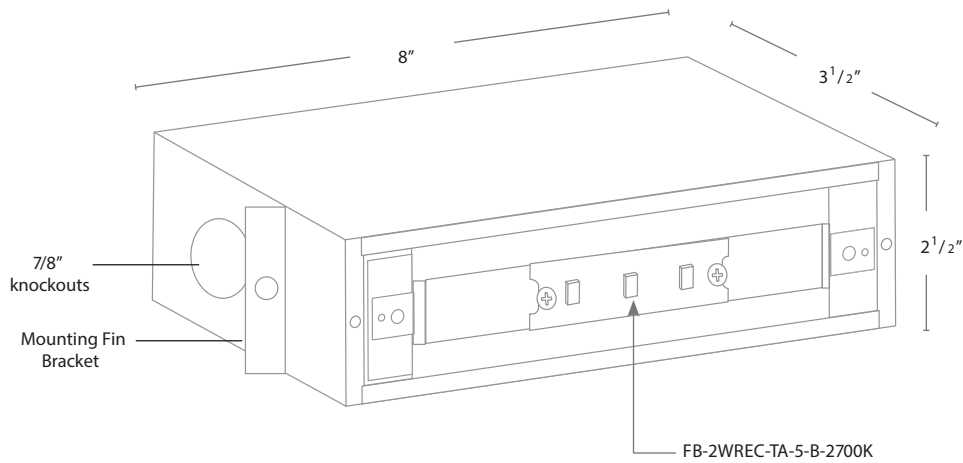
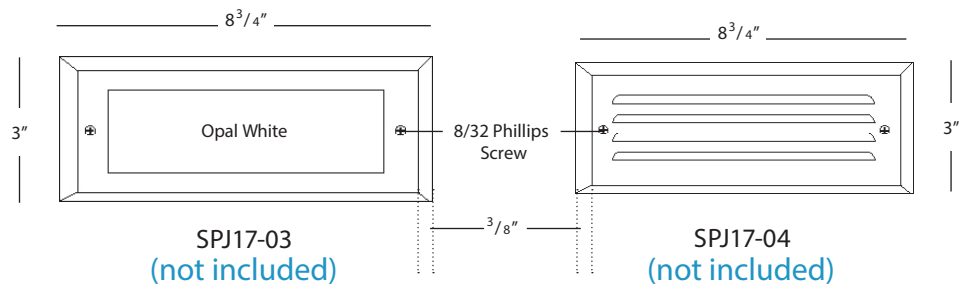
Model: SPJ17-FB-LG-BOX
Finish: Raw Brass

- Finish: Our naturally etched finishes will withstand the test of time. All finishes are individually treated insuring consistency. Our meticulous application results in a fixture that truly becomes "a one of a kind".
- Electrical: Available in 9-15V or 120V
- Labels: ETL Standard Wet Label
C-ETL

Step Light Recessed

DESCRIPTION

- Model#: SPJ17-FB-LG-BOX
- Mounting: Recessed
- Engine: FB-2WREC-TA-5-B-2700K
- Color Temp: 2700k
- Electrical: 9-15V, 120V
- Lumens: 125
- LED: Nichia



Wet Listed



ORDERING INFORMATION

Model#	Wattage	Lumens	Color Temp.	Electrical
SPJ17-FB-LG-BOX	2W	125	2700K	9-15V
	2W	125	2700K 4000K 6500K	9-15V 120V