



# Forever Bright

## SPECIFICATION FEATURES



Model: **SPJ17-09 LED**

**Finish:** Our naturally etched finishes will withstand the test of time. All finishes are individually treated insuring consistency. Our meticulous application results in a fixture that truly becomes "a one of a kind".

**Electrical:** Available in 9-15v or 120V

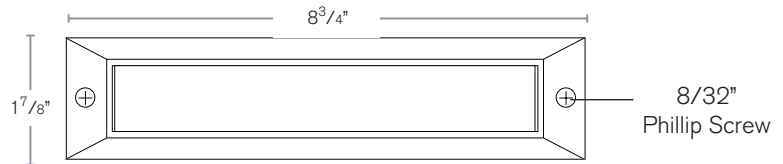
**Labels:** ETL Standard Wet Label  
C-ETL

### Recessed Fixture

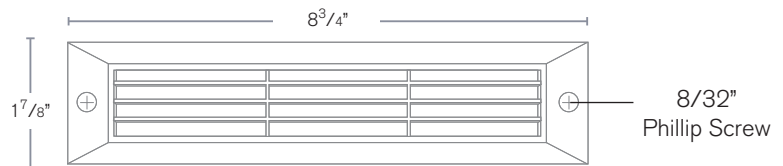
### DESCRIPTION

- Model#:** SPJ17-09 LED
- Material:** Cast Brass
- Shown:** PVD Satin
- Engine:** FB-2WREC-TA-5-B-2700K
- Lumens:** 125
- Color Temp:** 2700K
- Electrical:** 9-15V, 120V

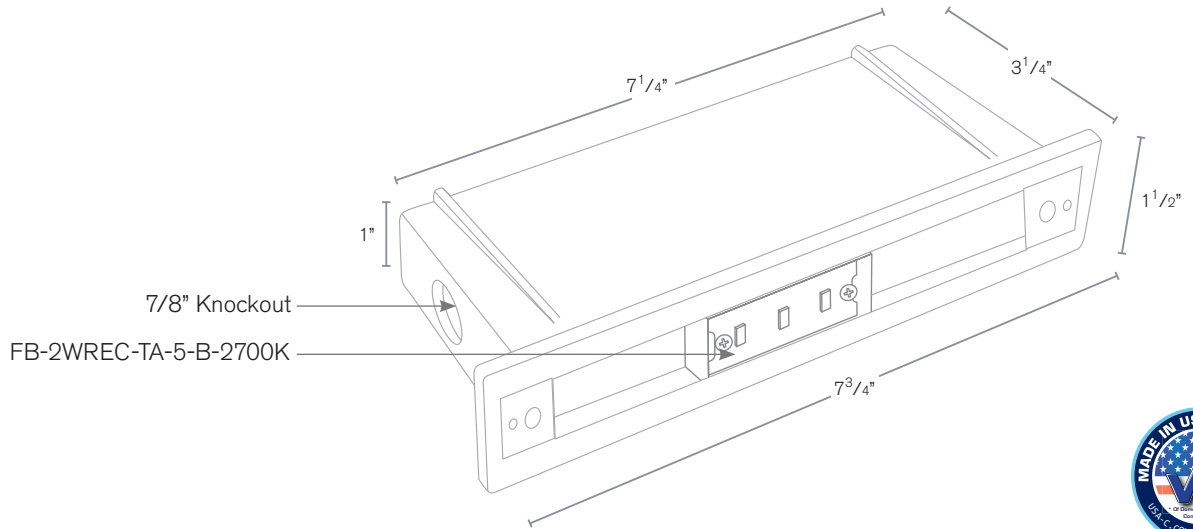
### Face Plates



**SPJ17-09-OW**



**SPJ17-09 Louvre**



### ORDERING INFORMATION

Model#	Finishes	Wattage	Lumens	Color Temp.	Electrical
<b>SPJ17-09 LED</b>	<b>PVDS</b>	<b>2W</b>	<b>125</b>	<b>2700K</b>	<b>9-15V</b>

- |                    |                     |    |     |       |       |
|--------------------|---------------------|----|-----|-------|-------|
| V = Verde          | GM = Gun Metal      | 2W | 125 | 2700K | 9-15V |
| M = Moss           | B = Black           |    |     | 4000K | 120V  |
| AG = Aged Brass    | R = Rusty           |    |     | 6500K |       |
| MBR = Matte Bronze | PVDP = PVD Polished |    |     |       |       |
| SB = Satin Brass   | PVDS = PVD Satin    |    |     |       |       |