



Forever Bright

SPECIFICATION FEATURES



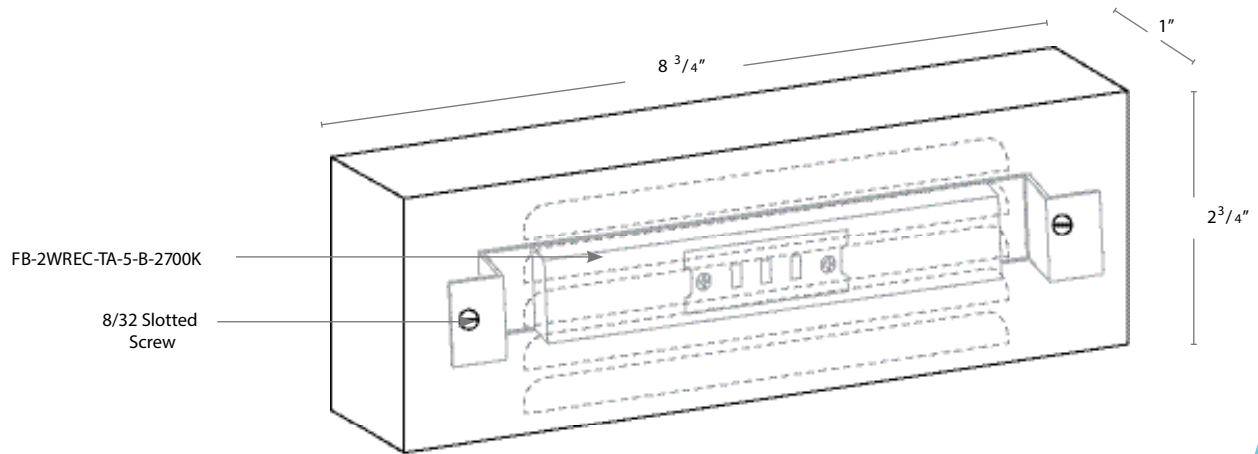
Model: SPJ17-08-QS
Finish: Matte Bronze

- Finish:** Our naturally etched finishes will withstand the test of time. All finishes are individually treated insuring consistency. Our meticulous application results in a fixture that truly becomes "a one of a kind".
- Electrical:** Available in 9-15V
- Labels:** ETL Standard Wet Label
C-ETL

Step Light Surface

DESCRIPTION

- Model#:** SPJ17-08-QS
- Mounting:** Surface
- Engine:** FB-2WREC-TA-5-B-2700K
- Color Temp:** 2700k
- Electrical:** 9-15V
- Lumens:** 125
- LED :** Nichia



Wet Listed



ORDERING INFORMATION

Model#	Finishes	Wattage	Lumens	Color Temp.	Electrical
SPJ17-08-QS	MBR	2W	125	2700K	9-15V
	MBR = Matte Bronze	2W	125	2700K 4000K 6500K	9-15V