



Forever Bright

SPECIFICATION FEATURES

Finish: Our naturally etched finishes will withstand the test of time. All finishes are individually treated insuring consistency. Our meticulous application results in a fixture that truly becomes "a one of a kind".

Electrical: Available in 9-15V

Labels: ETL Standard Wet Label
C-ETL

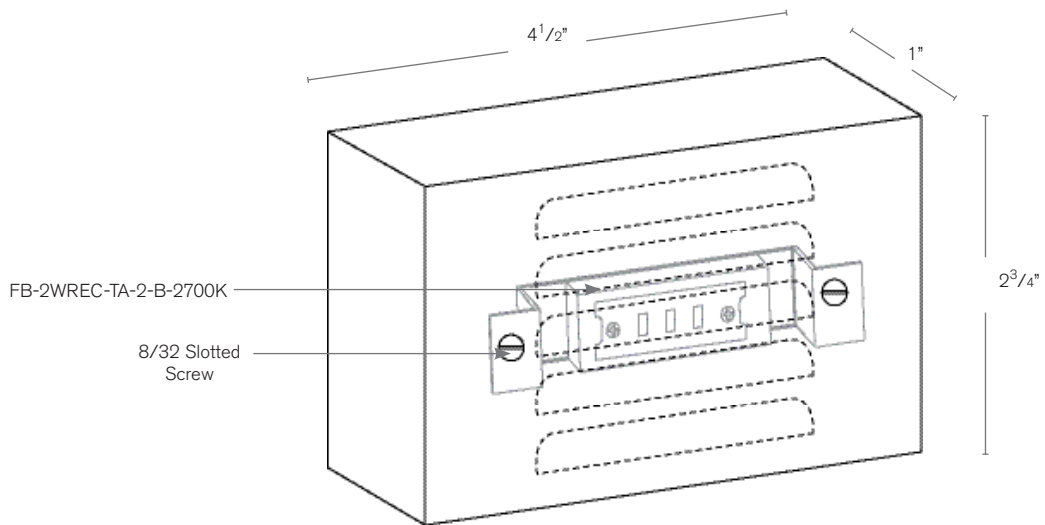


Model: **SPJ17-06**
Finish: Gun Metal

Step Light Surface

DESCRIPTION

- Model#:** SPJ17-06
- Mounting:** Surface
- Engine:** FB-2WREC-TA-2-B-2700K
- Color Temp:** 2700k
- Electrical:** 9-15V
- Lumens:** 125
- LED:** Nichia



Wet Listed



ORDERING INFORMATION

Model#	Finishes	Wattage	Lumens	Color Temp.	Electrical
SPJ17-06	GM	2W	125	2700K	9-15V

- V = Verde
- M = Moss
- AG = Aged Brass
- MBR = Matte Bronze
- SN = Satin Nickel
- GM = Gun Metal
- B = Black
- R = Rusty
- PVDP = PVD Polished
- PVDS = PVD Satin