



# Forever Bright

## SPECIFICATION FEATURES



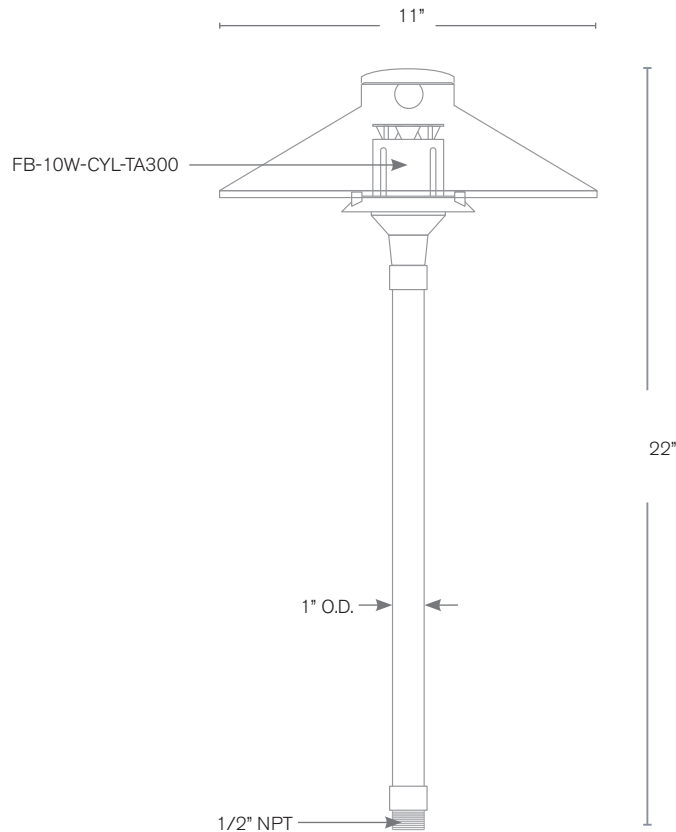
Model: **SPJ07-11-CP10**

- Finish:** Our naturally etched finishes will withstand the test of time. All finishes are individually treated insuring consistency. Our meticulous application results in a fixture that truly becomes "a one of a kind".
- Electrical:** Available in 12-15V
- Labels:** ETL Standard Wet Label  
C-ETL

### Path / Area Light

#### DESCRIPTION

- Model#:** SPJ07-11-CP10
- Material:** Solid Brass
- Finish:** Satin Brass
- Electrical:** 12-15V
- Engine:** FB-10W-CYL-TA300
- Lumens:** 300
- Color Temp:** 2700K
- Mounting:** 1/2" NPT.



Wet Listed



#### ORDERING INFORMATION

Model#	Finishes	Wattage	Lumens	Color Temp.	Electrical
<b>SPJ07-11-CP10</b>	<b>SB</b>	<b>10W</b>	<b>550</b>	<b>2700K</b>	<b>12-15V</b>

- V = Verde
- M = Moss
- AG = Aged Brass
- MBR = Matte Bronze
- SB = Satin Brass
- GM = Gun Metal
- B = Black
- R = Rusty
- PVDP = PVD Polished
- PVDS = PVD Satin
- 7W
- 10W
- 300
- 550
- 2700K
- 4000K
- 6500K
- 12-15V