



Forever Bright

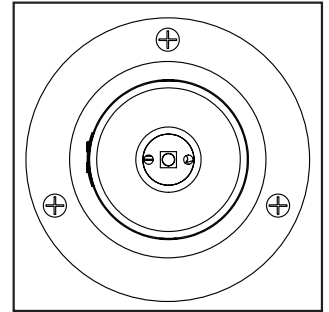
SPECIFICATION FEATURES



Model: **SPJ-MW1000-CP**
Finish: Satin Brass

Well Light

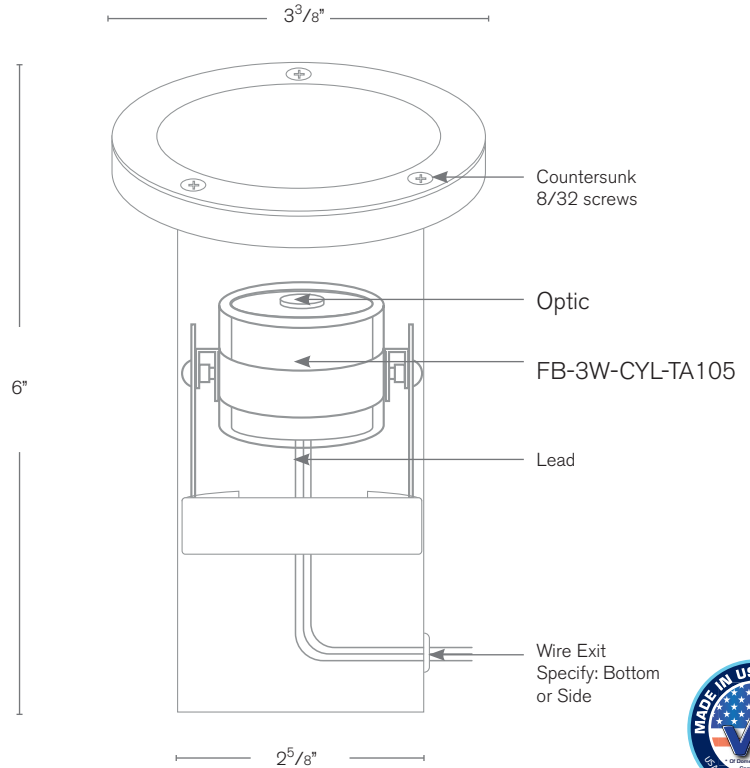
- Finish:** Our naturally etched finishes will withstand the test of time. All finishes are individually treated insuring consistency. Our meticulous application results in a fixture that truly becomes "a one of a kind".
- Lens:** Clear UV Rated Acrylic
- Housing:** Solid brass
- Trim:** Solid brass
- Electrical:** Available in 8-15v, 12-15v or 120v
- Labels:** ETL Standard Wet Label
C-ETL
Interior Wood Installation



TOP VIEW

DESCRIPTION

- Model#:** SPJ-MW1000-CP
Material: Solid Brass
Color Temp: 2700K
Optic: Spot, Flood, Wide Flood, Wide Angle Flood
- | Options: | Lamp | Electrical | Lumens |
|------------------|------|--------------|--------|
| FB-3W-CYL-TA105 | | 8-15v | 105 |
| FB-5W-CYL-TA125 | | 8-15v | 125 |
| FB-7W-CYL-TA210 | | 12-15v, 120v | 210 |
| FB-10W-CYL-TA300 | | 12-15v, 120v | 300 |
- Mounting:** In-Ground (concrete pour housing)
LED: Nichia
Adjustable
Beam Angle: 0-40 Degree



Wet Listed



ORDERING INFORMATION

Model#	Finishes	Wattage	Optics	Lumens	Color Temp.	Electrical
SPJ-MW1000-CP	SB	3W	FLOOD	105	2700K	8-15V

V = Verde	GM = Gun Metal	3W	Spot	105	2700K	8-15V
M = Moss	B = Black	5W	Flood	125	4000K	12V-15V
AG = Aged Brass	R = Rusty	7W	Wide Flood	210	6500K	120V
MBR = Matte Bronze	PVDP = PVD Polished	10W	Wide Angle Flood	300		
SB = Satin Brass	PVDS = PVD Satin					