



# Forever Bright

## SPECIFICATION FEATURES



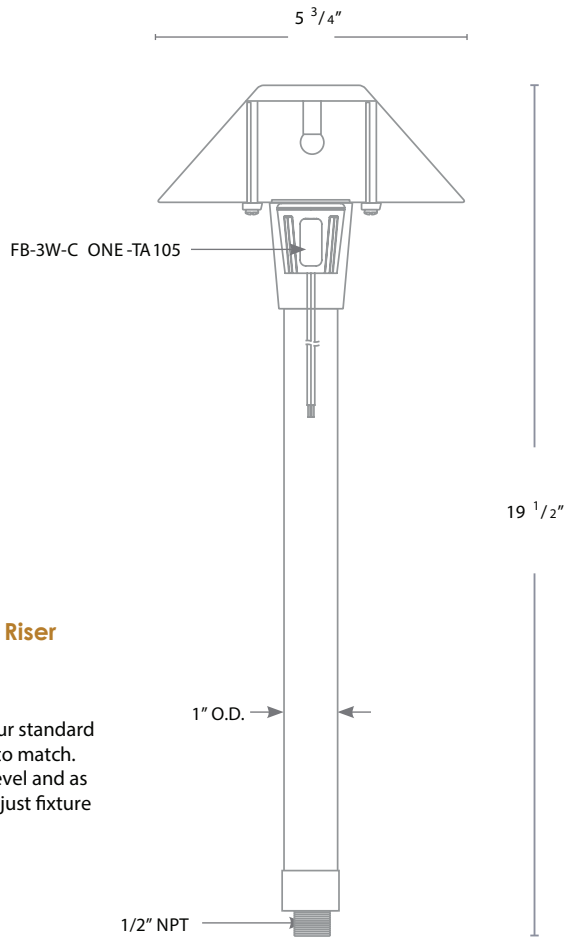
Model: SPJ-MA-20  
Finish: Matte Bronze

- Finish: Our naturally etched finishes will withstand the test of time. All finishes are individually treated insuring consistency. Our meticulous application results in a fixture that truly becomes "a one of a kind".
- Electrical: Available in 8-15V
- Labels: ETL Standard Wet Label  
C-ETL

### Path / Area Light

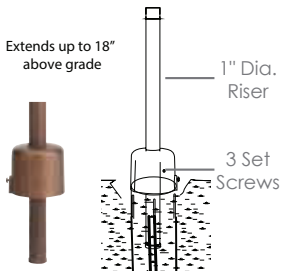
#### DESCRIPTION

- Model#: SPJ-MA-20
- Material: Solid Brass
- Electrical: 8-15V
- Engine: FB-3W-Cone-TA105
- Lumens: 105
- Color Temp: 2700 k
- Mounting: 1/2" NPT. Dual Fin Spike Incl.
- LED: Nichia



#### Option: Adjustable Below Grade Riser

Model: SPJ 19-03-RBBG  
Shown: Matte Bronze  
Desc: Solid brass top fits on our standard perma-post with finish to match. Install fixture at grade level and as the landscape grows adjust fixture height as needed.



Turtle Friendly



#### ORDERING INFORMATION

Model#	Finishes	Wattage	Lumens	Color Temp.	Electrical
SPJ-MA-20	MBR	3W	105	2700K	8-15V

- V = Verde
- GM = Gun Metal
- 3W
- 105
- 2700K
- 8-15V
- M = Moss
- B = Black
- 5W
- 125
- 4000K
- 6500K
- AG = Aged Brass
- R = Rusty
- PVD= PVD Polished
- Amber (Turtle Friendly)
- MBR = Matte Bronze
- PVDP= PVD Polished
- PVDS= PVD Satin
- RC = Raw Copper